

BATCO



Belt Conveyors & Accessories

Batco Belt Conveyors and equipment are built tough to perform, yet designed and engineered for gentle handling of delicate crops, seeds and commodities.

Gentle Handling

Specialty crops, seed and some commodities are very susceptible to impact damage caused by conventional grain handling systems. A Batco Belt Conveyor minimizes impact damage and helps protect grade quality and germination performance of seed. Not recommended on oil seeds.

Low Maintenance/Long Wear

Engineered, designed and built for rugged, long-lasting performance with heavy duty features like our quality rubber belting, rated at 3,000 hours.

High Capacity

All Batco Conveyors are designed and built for high capacity and performance at a maximum height of 30°. Capacity increases as the angle of elevation decreases. See specifications for model performance.

Low Horsepower

Batco's unique design requires half the horsepower of screw augers, saving energy and freeing up larger tractors for other purposes.

Clean Convenience

Batco's unique design requires half the horsepower of screw augers, saving energy and freeing up larger tractors for other purposes.

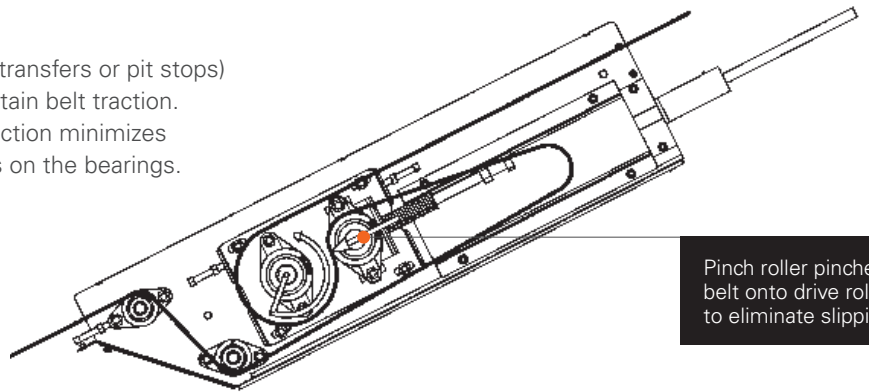


PINCH S-DRIVE

Batco's unique Pinch S-Drive is available on all series (not transfers or pit stops) and eliminates slippage by making it easy to set and maintain belt traction. The spring take up helps to maintain tension while less friction minimizes damage to the conveyor belt, also invoking minimal stress on the bearings. Gas or electric Pinch S-Drive options available.

PINCH TOP DRIVE

An affordable option unique to Batco, is the Pinch Top Drive. The pinch roller system at the top end ensures positive belt traction. Electric or hydraulic Pinch Top Drive options are available.



Pinch roller pinches belt onto drive roller to eliminate slipping

BATCO

MANUFACTURING

Batco started in 1992 and later became the founding company of AGI. Humble beginnings had Batco building two-wheel carts; fast forward to present day where Batco manufactures an extensive line of portable and stationary belt conveyors used in storage and handling facilities for grain and fertilizer. Over the past two decades, Batco has grown their sales through innovative products and a strong focus on customer needs and services.

Outgrowing their 33,000 square foot facility, in 2013, Batco moved into an 114,000 square foot facility featuring lean manufacturing processes, robotic welding and a state-of-the-art powder coat paint system which will increase quality, productivity and has the potential to double capacity.

The improved facility provides more space to accommodate robotic welding, delivering more consistent and reliable production, as well as lean manufacturing, which ensures efficient and quick production to meet customer demand.

Powder coating is an advanced method of applying a protective finish. The powder used for this process is a mixture of finely ground particles of pigment and resin, which is sprayed onto the surface of our products. The result is a much thicker coating with a classic vibrant Batco orange finish that is more durable and long lasting than conventional liquid paint.



BELT CONVEYORS

1300 | 1500 | 2000 | 2400

- Weather guards are standard on all conveyors
- Maximum service height at 30-degrees
- All belts are made of 2-ply Chevron, with nylon slider back
- Plastic hood and collapsible canvas hoppers provides excellent cushioning for fragile materials



Optional Self-Propelled Kit

1300 SERIES 1500 SERIES

10" Tube | 13" Belt

- Capacity rated up to 3,500 bu/hr
- Available in lengths from 30' to 55'
- 10" diameter, 14-gauge tube

FEATURES

- A-frame undercarriage
- Cable trussing on the 55' Model
- Optional self-propelled kit available

DRIVE OPTIONS

- Pinch S-Drive (55' only)
 - Gas
 - Electric
 - PTO
- Top Drive (30' - 45')
 - Hydraulic
 - Electric

10" Tube | 15" Belt

- Capacity rated up to 6,000 bu/hr
- Available in lengths from 30' to 100'
- 10" diameter, 14-gauge tube
 - 12-gauge tube for the first 30' on the 55'-100' models

FEATURES

- A-frame undercarriage on 30' - 55' lengths
- Hydraulic scissor lift on 65' - 100'
 - Offers greater reach and bin clearance
- Cable trussing on the 55' - 100' models
- Extendable axles on 85' - 100' models
- Optional self-propelled kit available

DRIVE OPTIONS

- Pinch S-Drive (55'-100')
 - Gas
 - Electric
 - PTO (side or front)
- Top Drive (30' & 35')
 - Hydraulic
 - Electric
- Pinch Top Drive (40' & 45')
 - Hydraulic
 - Electric





**1500
SERIES**

2000 SERIES

2400 SERIES

14" Tube | 20" Belt

- Capacity rated up to 9,000 bu/hr
- Available in lengths from 35' to 120'
- 14" diameter, 12-gauge tube

14" Tube | 23.5" Belt

- Capacity rated up to 14,000 bu/hr
- Available in lengths from 65' to 120'
- 14" diameter, 12-gauge tube

FEATURES 2000 | 2400

- A-frame undercarriage on 35' – 55' lengths
- Dual cylinder hydraulic scissor lift on 65' – 95' lengths
- Triple cylinder hydraulic scissor lift on the 105' – 120' models
- Cable trussing on 55' – 110', steel trussing on the 120'
- Heavy-duty, 1 15/16" shafts and industrial bearings

DRIVE OPTIONS 2000 | 2400

- Pinch S-Drive
 - Electric
 - PTO (side or front)
- Top Drive (35' only)
 - Electric



**2400
SERIES**



**FIELD
LOADER**



FIELD LOADERS

1300 | 1500 | 1800 | 2400

Batco Field Loaders include all the benefits of the standard hopper Belt Conveyors but feature an extended low-profile hopper, with unique collapsible design.

- Optional self-propelled kit available on all models

1300 SERIES 1500 SERIES 1800 SERIES 2400 SERIES

10" Tube | 13" Belt

- Capacity up to 4,500 bu/hr
- 35' or 45' lengths available

10" Tube | 15" Belt

- Capacity up to 6,000 bu/hr
- 35' or 45' lengths available

14" Tube | 18" Belt

- Capacity up to 8,000 bu/hr
- 35' length available

14" Tube | 23.5" Belt

- Capacity up to 14,000 bu/hr
- 35' length available

DRIVE OPTIONS 1300 | 1500 | 1800 | 2400

- Pinch S-Drive
 - Gas
 - Electric

- Pinch Top Drive
 - Electric
 - Hydraulic (1300, 1500 & 1800)

ALSO AVAILABLE

2435 Railcar Unloader with lower profile hopper to suit above-track loading

- Available with gas or electric Pinch S-Drive
- Capacity up to 14,000 bu/hr
- Ultra low hopper = 4" hopper height

SWING AWAY

1500 | 2000 | 2400

A low-profile transfer conveyor/swing away with collapsible hopper is available on the 1500, 2000 and 2400 series conveyors for the 65' – 120' models.

- Center mounted CV PTO shaft with gearbox drive system
- Standard with hydraulic winch
- Hydraulic drive swing
 - Requires approximately 12 GPM on 1500 series, 18 GPM on 2000 and 2400 series

LOW PROFILE TRANSFERS

1300 | 1500 | 1800

- 7 ½" hopper clearance; 9" clearance at transition
- Discharge height – 28"
- 30" x 56" collapsible hopper on 1314 LP & 1814 LP
- 30" x 75" collapsible hopper on 1515 LP
- Hydraulic, electric or gas drive options



LOW PROFILE
TRANSFERS

PITSTOP

1800 | 2400

- Quick, convenient unloading
- Gentle handling and fast setup
- Low, 7 ½" clearance
- 8' x 12' easy access dump platform
- Large, 32" x 114" hopper
- Hydraulic lift on transport wheels
- Discharge height – 28"
- Overall length – 25' on 1800 series
– 27' on 2400 series
- Hydraulic, gas or electric drive options
- Optional self-propelled kit available



PIT
STOP

SPECIFICATIONS

1300 SERIES CONVEYORS

MODEL	BELT LENGTH	WEIGHT LBS	UP-OPERATION		DOWN-OPERATION		WIDTH	HP PTO	HP ELEC	HP GAS	HP HYD. (Cu.in.)
			A	B	A	B					
1314 LP	28'4"	526	N/A	N/A	2.9	5.5	3	N/A	5 HP	6.5 HP	4.5 (H SERIES)
SWING TRANSFER	34'6"	570	N/A	N/A	N/A	N/A	N/A	N/A	5 HP	N/A	4.5 (H SERIES)
1330 TD	58'8"	1409	13.5	9.5	9.6	11.1	7.5	N/A	5 HP	N/A	5.9 (H SERIES)
1335 TD	68'8"	1506	16.3	11.3	10.8	12.3	7.5	N/A	5 HP	N/A	5.9 (H SERIES)
1340 TD	78'8"	1603	18.3	14.5	9.5	15.1	7.5	N/A	7.5 HP	N/A	5.9 (H SERIES)
1345 TD	88'8"	1700	21.3	18.4	12	19	7.5	N/A	7.5 HP	N/A	5.9 (H SERIES)
1335 FL	81'	1826	16.9	16.2	13.2	18.3	7.5	N/A	7.5 HP	27 HP	N/A
1345 FL	101'	2011	21.9	20.6	13.2	22	7.5	N/A	7.5 HP	27 HP	N/A
1335 FLTD	76'6"	1500	16.9	13.6	11.9	14.6	7.5	N/A	7.5 HP	N/A	6.2 (2000 SERIES)
1345 FLTD	96'6"	1730	21.9	19.5	12.7	19.4	7.5	N/A	7.5 HP	N/A	6.2 (2000 SERIES)
1355	113'10"	2268	26.2	22.2	14.9	23.6	9	30 HP	7.5 HP	27 HP	N/A

1800 SERIES CONVEYORS

MODEL	BELT LENGTH	WEIGHT LBS	UP-OPERATION		DOWN-OPERATION		WIDTH	HP PTO	HP ELEC	HP GAS	HP HYD. (Cu.in.)
			A	B	A	B					
1814 LP	29'	840	N/A	N/A	3	5.8	3.8	N/A	7.5 HP	9 HP	6.2 (2000 SERIES)
1835 FL	86'11"	2740	16.9	17.5	13.3	18.2	7.5	25 HP	10 HP	N/A	N/A
1835 FLTD	81'2"	2200	16.9	15.9	13.7	15.1	7.5	N/A	10 HP	N/A	6.2 (2000 SERIES)
PITSTOP	47'	2970	N/A	N/A	2.8	4.5	7.9	N/A	7.5 HP	N/A	6.2 (2000 SERIES)

2400 SERIES CONVEYORS

MODEL	BELT LENGTH	WEIGHT LBS	UP-OPERATION		DOWN-OPERATION		WIDTH	HP PTO	HP ELEC	HP GAS	HP HYD. (Cu.in.)
			A	B	A	B					
SWING TRANSFER	45'3"	1300	N/A	N/A	N/A	N/A	N/A	N/A	10 HP	N/A	8.0 (2000 SERIES)
2435 FL	94'6"	3350	17.3	16.2	14	16.8	7.5	N/A	20 HP	35 HP	N/A
2435 FLTD	87'3"	2700	17.3	15.8	14.1	15	7.5	N/A	20 HP	N/A	N/A
2465	141'2"	5081	32.1	23.4	12.5	26	*11.6	60 HP	25 HP	N/A	N/A
2475	161'2"	5396	36.1	32	14.3	35.8	*11.6	70 HP	30 HP	N/A	N/A
2485	181'2"	6153	42.3	32.6	13.7	38.6	*11.6	80 HP	30 HP	N/A	N/A
2495	201'2"	6630	47.1	41.5	14.9	48.5	*11.6	80 HP	40 HP	N/A	N/A
24105	221'2"	8305	52.5	40.7	16.3	49.7	*11.6	90 HP	40 HP	N/A	N/A
24110	231'2"	9495	53.9	45.3	17.1	54.7	*11.6	100HP	50 HP	N/A	N/A
24120	251'2"	9770	60	53.4	18.4	64.6	*11.6	120HP	50 HP	N/A	N/A
2400 PITSTOP	52'10"	3260	N/A	N/A	3	5.3	7.9	N/A	10 HP	27 HP	8.0 (2000 SERIES)

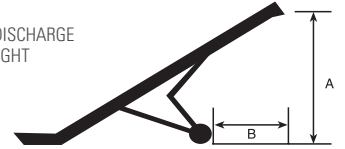
1500 SERIES CONVEYORS

MODEL	BELT LENGTH	WEIGHT LBS	UP-OPERATION		DOWN-OPERATION		WIDTH	HP PTO	HP ELEC	HP GAS	HP HYD. (Cu.in.)
			A	B	A	B					
1515 LP	30'8"	642	N/A	N/A	2.8	6.2	3.8	N/A	5 HP	9 HP	5.9 (H SERIES)
SWING TRANSFER	34'6"	700	N/A	N/A	N/A	N/A	N/A	N/A	7.5 HP	N/A	5.9 (H SERIES)
1530 TD	60'2"	1483	14	10.3	9.3	11.6	7.5	N/A	7.5 HP	N/A	6.2 (2000 SERIES)
1535 TD	70'2"	1582	16.8	12	10.7	12.8	7.5	N/A	7.5 HP	N/A	6.2 (2000 SERIES)
1540 TD	80'2"	1681	18.8	15.2	11.2	15.5	7.5	N/A	7.5 HP	N/A	6.2 (2000 SERIES)
1545 TD	90'2"	1780	21.5	19.1	11.9	19.5	7.5	N/A	10 HP	N/A	6.2 (2000 SERIES)
1535 FL	85'	1950	17	17.3	12.5	19.1	7.5	N/A	10 HP	27 HP	N/A
1545 FL	105'	2275	22.9	23.7	12.4	25.8	7.5	N/A	15 HP	27 HP	N/A
1535 FLTD	80'5"	1630	17	15.6	11.3	17	7.5	N/A	10 HP	N/A	6.2 (2000 SERIES)
1545 FLTD	100'5"	1936	22.9	21.4	13.2	22	7.5	N/A	15 HP	N/A	6.2 (2000 SERIES)
1555	115'3"	2354	26.3	22.2	14.9	23.6	9	30 HP	10 HP	27 HP	N/A
1565	135'6"	2997	31.4	22.4	11.6	26.1	11	30 HP	15 HP	27 HP	N/A
1575	155'	3252	36.6	30.9	12.6	36.2	11	40 HP	20 HP	27 HP	N/A
1585	175'	3734	41.7	35.2	14.2	41.7	11.3	40 HP	20 HP	35 HP	N/A
1590	185'	3850	44.2	39.5	14.9	46.7	11.3	50 HP	25 HP	35 HP	N/A
15100	205'	4450	49	39.7	13.5	48.3	11.3	50 HP	25 HP	35 HP	N/A

2000 SERIES CONVEYORS

MODEL	BELT LENGTH	WEIGHT LBS	UP-OPERATION		DOWN-OPERATION		WIDTH	HP PTO	HP ELEC	HP GAS	HP HYD. (Cu.in.)
			A	B	A	B					
SWING TRANSFER	41'6"	900	N/A	N/A	N/A	N/A	N/A	N/A	7.5 HP	N/A	6.2 (2000 SERIES)
2035	77'10"	2765	16.1	16.9	10.7	17.4	7.5	40 HP	15 HP	N/A	N/A
2035 TD	71'3"	2145	16.1	13.4	10.7	14	7.5	N/A	15 HP	N/A	N/A
2045	97'10"	3098	20.8	21.4	13	22.7	7.5	40 HP	15 HP	N/A	N/A
2055	117'10"	3650	26.1	24.7	13.8	24	10.3	50 HP	20 HP	N/A	N/A
2065	137'10"	4826	31.1	22.3	12.2	25.3	*11.6	60 HP	25 HP	N/A	N/A
2075	157'10"	5126	36.3	31.1	13.7	35.3	*11.6	60 HP	30 HP	N/A	N/A
2085	177'10"	5868	40.7	32.1	12.7	38.1	*11.6	70 HP	30 HP	N/A	N/A
2095	197'10"	6127	46.4	40.7	14.4	48	*11.6	80 HP	40 HP	N/A	N/A
20105	217'10"	7990	51.1	39.6	16.6	49.1	*11.6	80 HP	40 HP	N/A	N/A
20110	227'10"	9155	54	44.4	17.1	54.1	*11.6	100HP	50 HP	N/A	N/A
20120	247'10"	9430	59.3	52.1	18.4	63.8	*11.6	100HP	50 HP	N/A	N/A

*AXLE EXTENDS TO 14.8'
A UP IS CONVEYOR DISCHARGE HEIGHT (FROM BOTTOM OF DISCHARGE HOOD) AT 30 DEGREES | A DOWN IS OVERALL CONVEYOR HEIGHT (FROM TOP OF DISCHARGE HOOD)

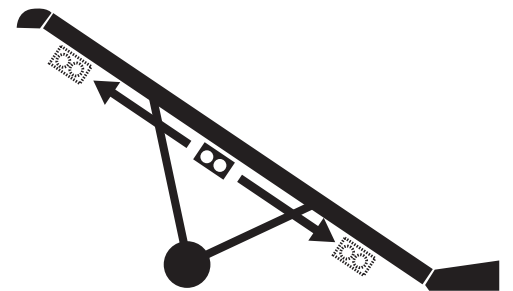


Custom Configured

Batco Conveyors can be "Custom Configured" to fit almost any requirement

Depending on the model, choose from gas, electric, PTO or hydraulic drive options. The unique Batco Pinch S-Drive can be mounted almost anywhere along the tube – at the lower end to accommodate PTO drive, or higher on the tube for other drives to allow longer reach into bins. An electric top drive is also available for models under 45 feet. Optional swing hoppers, portable transfers or self-propelled kits add versatility. Most Batco models are available in corrosion resistant stainless steel to accommodate bulk material handling. Advanced custom belt conveyor configurations can be accommodated by the factory. See your dealer for details.

- Hydraulic Systems: H Series requires 12-16 gal/min; 2000 Series requires 16-20 gal/min
- 1314 LP: 6 1/2 HP Honda comes with 6:1 gear reduction
- 1814 LP/1515 LP: 9 HP Honda comes with 6:1 gear reduction
- Custom under bin systems and stationary conveyors are also available in 8", 10" and 14" diameter tubes



REMEMBER!

Safety is everyone's business! Some items shown with safety shields removed for clarity. Do not operate with safety shields removed. Do not modify. Use only for intended purpose. Read manual before operating.