



SWING AWAY

PARTS MANUAL

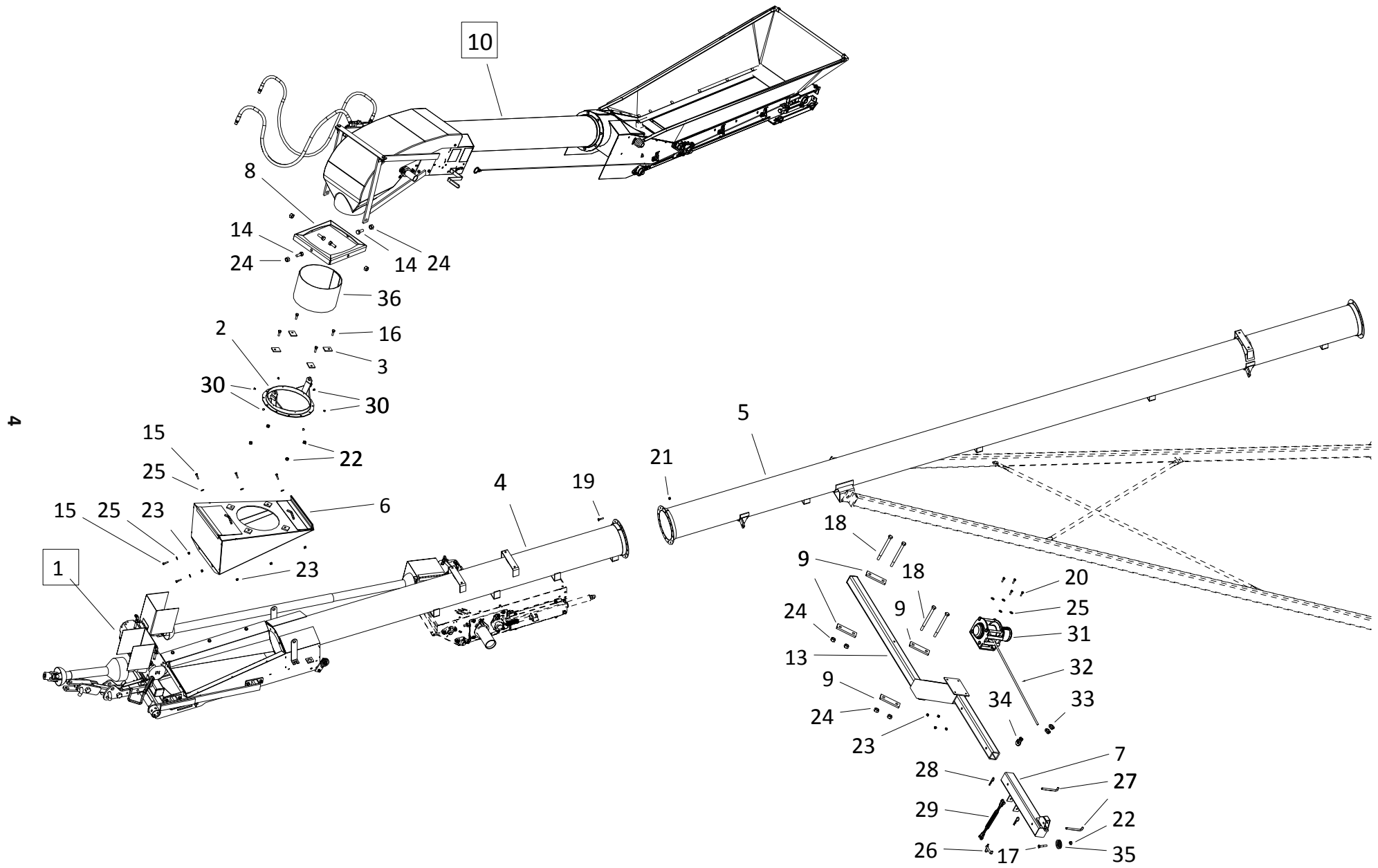
TABLE OF CONTENTS

DESCRIPTION	PAGE
BCX ² 1590 SWING AWAY (15584011)	4
BCX ² 1590 SA TRANSFER ASM HYD (15584212)	6
BCX ² 1590 SA HOPPER (1555692X)	8
FX1500 SA HYD DRIVE KIT (15000286)	10
SIDE PTO DRIVE KIT (15592200)	12
FRONT DRIVE PTO KIT 15 SERIES (15592230)	14
ELECTRIC-REMOTE POWER SWING KIT (15584440)	16
HYDRAULIC-DUAL MOTOR POWER SWING KIT (15584435)	18
FX 1590 SWING AWAY (15584007)	20
FX SWING AWAY -TRANSFER ASSEMBLY (15584210)	22
FX HOPPER (15100040)	24
SIDE PTO DRIVE KIT (15592200)	28
FRONT DRIVE PTO KIT 15 SERIES (15592230)	30
ELECTRIC-REMOTE POWER SWING KIT (15584440)	32
HYDRAULIC-DUAL MOTOR POWER SWING KIT (15584435)	34
20105 SWING AWAY (20510534)	36
FX SWING AWAY -TRANSFER ASSEMBLY (20000420)	38
FX HOPPER (18000323)	40
SIDE PTO GEARBOX DRIVE KIT (20592200)	44
FRONT DRIVE PTO KIT 20 SERIES (20592230)	46
ELECTRIC-REMOTE POWER SWING KIT (20584440)	50
HYDRAULIC-DUAL MOTOR POWER SWING KIT (20584435)	52
1500 SERIES-15584000 (65' to 90')	55
SWING AWAY TRANSFER ASSEMBLY (15584200)	57
FRONT DRIVE PTO KIT 15 SERIES (15592230)	61
1515LP HYDRAULIC DRIVE KIT (15000281)	63
1500 SERIES-15584003 (100')	65
SWING AWAY TRANSFER ASSEMBLY (15584200)	67
FRONT DRIVE PTO KIT 15 SERIES (15592230)	71
1515LP HYDRAULIC DRIVE KIT (15000281)	73
2000 SERIES-20584000	75
SWING AWAY TRANSFER ASSEMBLY (20000420)	77
FRONT DRIVE PTO KIT 20 SERIES (20592230)	81
HYDRAULIC DRIVE KIT FOR 1814LP & TD (18000281)	85
2400 SERIES-24584001 (2485 95)	87
SWING AWAY TRANSFER ASSEMBLY (24000420)	89

TABLE OF CONTENTS

DESCRIPTION	PAGE
FRONT DRIVE PTO KIT 24-SERIES (24592230)	93
HYDRAULIC DRIVE KIT (24594000)	97
2400 SERIES-24584000 (24105 120)	99
SWING AWAY TRANSFER ASSEMBLY (24000420)	101
FRONT DRIVE PTO KIT 24-SERIES (24592230)	105
HYDRAULIC DRIVE KIT (24594000)	109

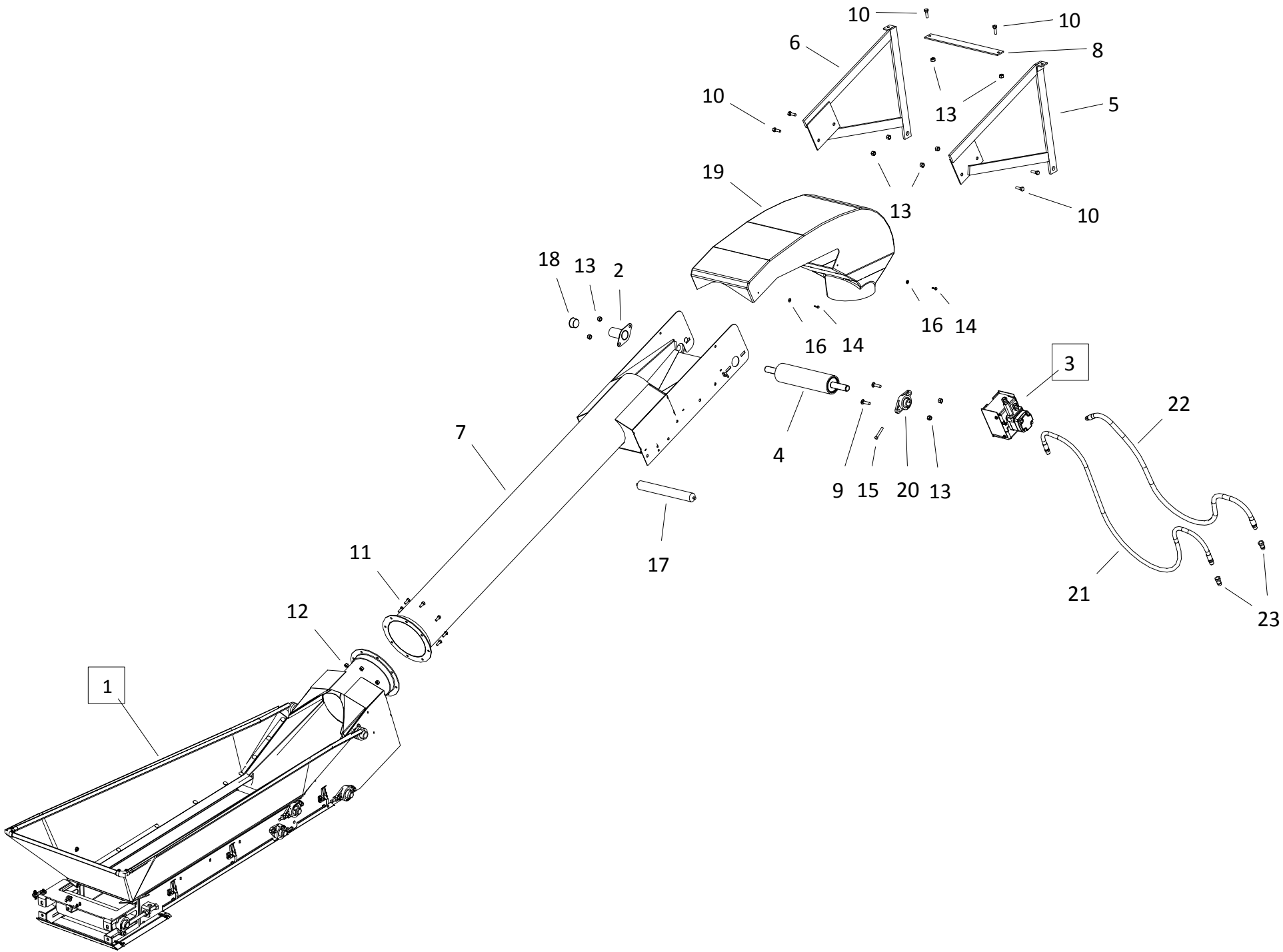
BCX² 1590 SWING AWAY (15584011)



BCX² 1590 SWING AWAY (15584011)

ITEM	PART NO.	DESCRIPTION
1	15592230	FRONT DRIVE PTO KIT 15 SERIES
2	13090026	SWIVEL BASE
3	13092018	MOUNTING TAB
4	15020040	BT HOPPER SECTION 10' WITH SD BKTS
5	15020051	BOTTOM TUBE WITH ANCHORS
6	15090009	SWING HOPPER BASE
7	15090017	TRANSPORT ADJUSTMENT ARM
8	15090027	SWING SWIVEL TOP
9	15092039	TRANSPORT ARM MOUNT PLATE
10	15584212	BCX2 SWING AWAY -TRANS ASM HYD
13	24090023	15/20/24 TRANSPORT ARM OFFSET
14	P0115111	BOLT 3/4" X 2" GR8 PLATED
15	P0115113	BOLT 3/8" X 1-1/2" GR8 PLATED
16	P0118013	BOLT 1/2"X1 1/2" GR.8 PLATED
17	P0118018	BOLT 1/2" X 3" GR8 PLATED
18	P0118048	Bolt Hex GR8 3/4 x 9
19	P0118076	BOLT 7/16"X1" GRADE 8 PLATED
20	P0118132	BOLT 3/8" X 1-1/4" GR8 PLATED
21	P0134007	LOCKNUT-NYLON-7/16"
22	P0134008	LOCKNUT-NYLON-1/2"
23	P0134026	LOCKNUT-NYLON-3/8" GRADE 8
24	P0134029	LOCKNUT-NYLON-3/4" GRADE 8
25	P0151009	FLAT WASHER 3/8"PLATED USS
26	P0162001	HITCH PIN 1/2" X 3" PLATED
27	P0162004	HITCH PIN 1/2" X 5" PLATED
28	P0163001	HAIR PIN 3/16" X 3-1/4"
29	P0182101	TURNBUCKLE 5/8" X 6"STUB
30	P0186001	RIVET-STEEL BODY 3/16" X 1/2"
31	P0217634B	HYDRAULIC WINCH KIT
32	P0711118	CABLE-5/16" (26')
33	P0712105	CABLE CLAMP-5/16" GALV.
34	P0712301	Grab Hook
35	P2210713	CABLE SHEAVE 2-3/4"OD
36	P11139010	SWING BELT SHEILD

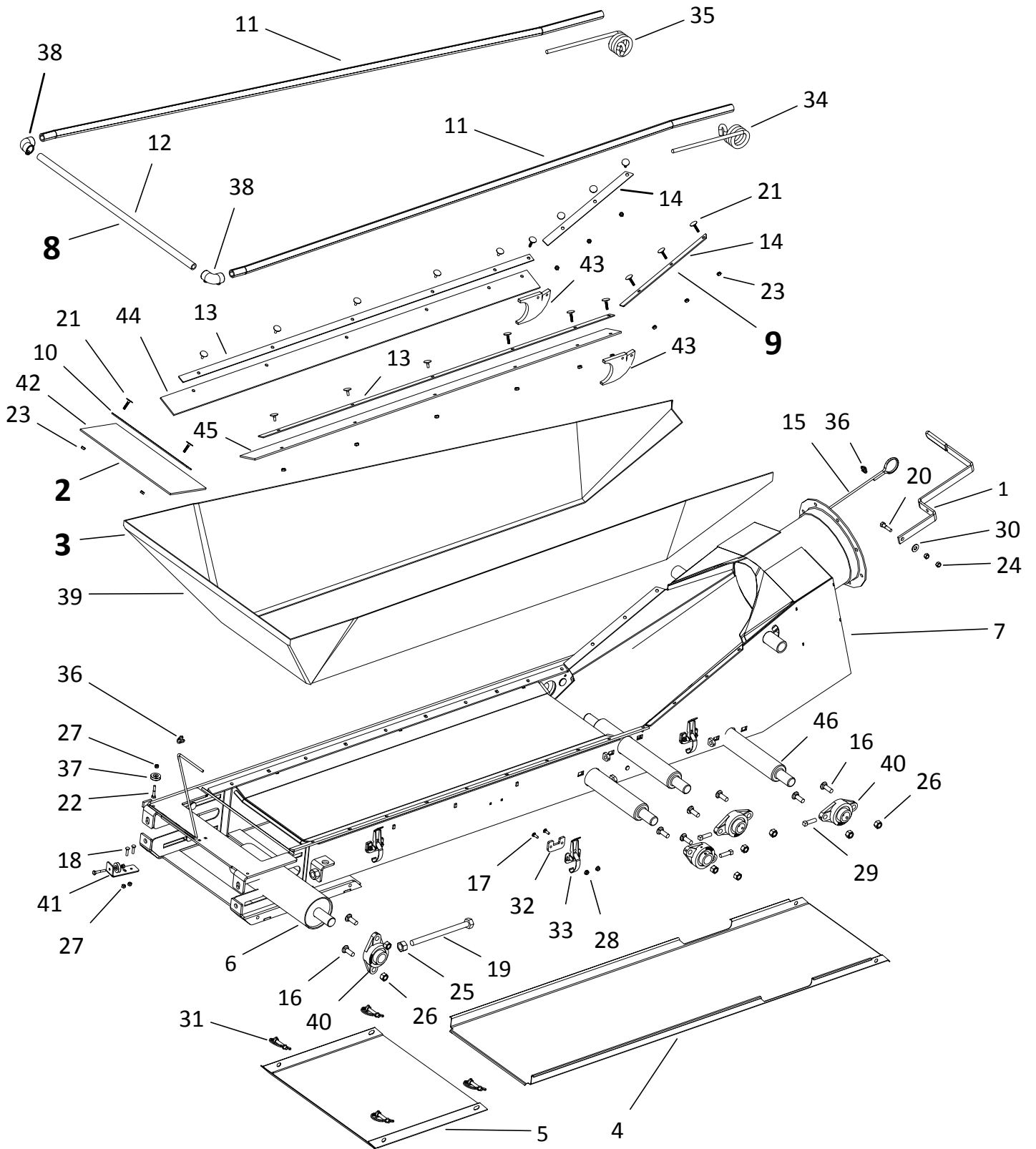
BCX² 1590 SA TRANSFER ASM HYD (15584212)



BCX² 1590 SA TRANSFER ASM HYD (15584212)

ITEM	PART NO.	DESCRIPTION
1	1555692X	BCX2 HOPPER -COLLAPSABLE TR
2	13041038	SHAFT GUARD(FL-206)
3	15000286	FX1500 SA HYD DRIVE KIT
4	15070013	SPOUT DRIVE ROLLER-1-1/4" LAGGED
5	15090007	Transfer Support Brace (RH)
6	15090008	TRANSFER SUPPORT BRACE-LH
7	15090012	7' Swing Spout
8	15092044	SUPPORT BRACE SPACER
9	P0113001	CARRIAGE BOLT 1/2"X2" PLATED
10	P0118013	BOLT 1/2"X1 1/2" GR.8 PLATED
11	P0118076	BOLT 7/16"X1" GRADE 8 PLATED
12	P0134007	LOCKNUT-NYLON-7/16"
13	P0134008	LOCKNUT-NYLON-1/2"
14	P0141002	TEK SCREW 1/4"X1"
15	P0145002	SET SCREW-7/16"X2-1/2"SQ.HD.
16	P0151006	FLAT WASHER 1/4"PLATED USS
17	P1021006	ROLLER HEX 15-7/8"
18	P1210032	FL-206 SHAFT GUARD PLUG
19	P1211501	HOOD-ROUND 15 SERIES (KANBAN)
20	P1711002	FLANGE UNIT-1-1/4"-SAFL206-20
21	P0832017	HOSE 3/8(15')-1/2"MPT-1/2"MPT PC
22	P0832031	HOSE 1/2(15')-1/2MPT-1/2MPT PC
23	P0820401	QUICK COUPLING NIPPLE

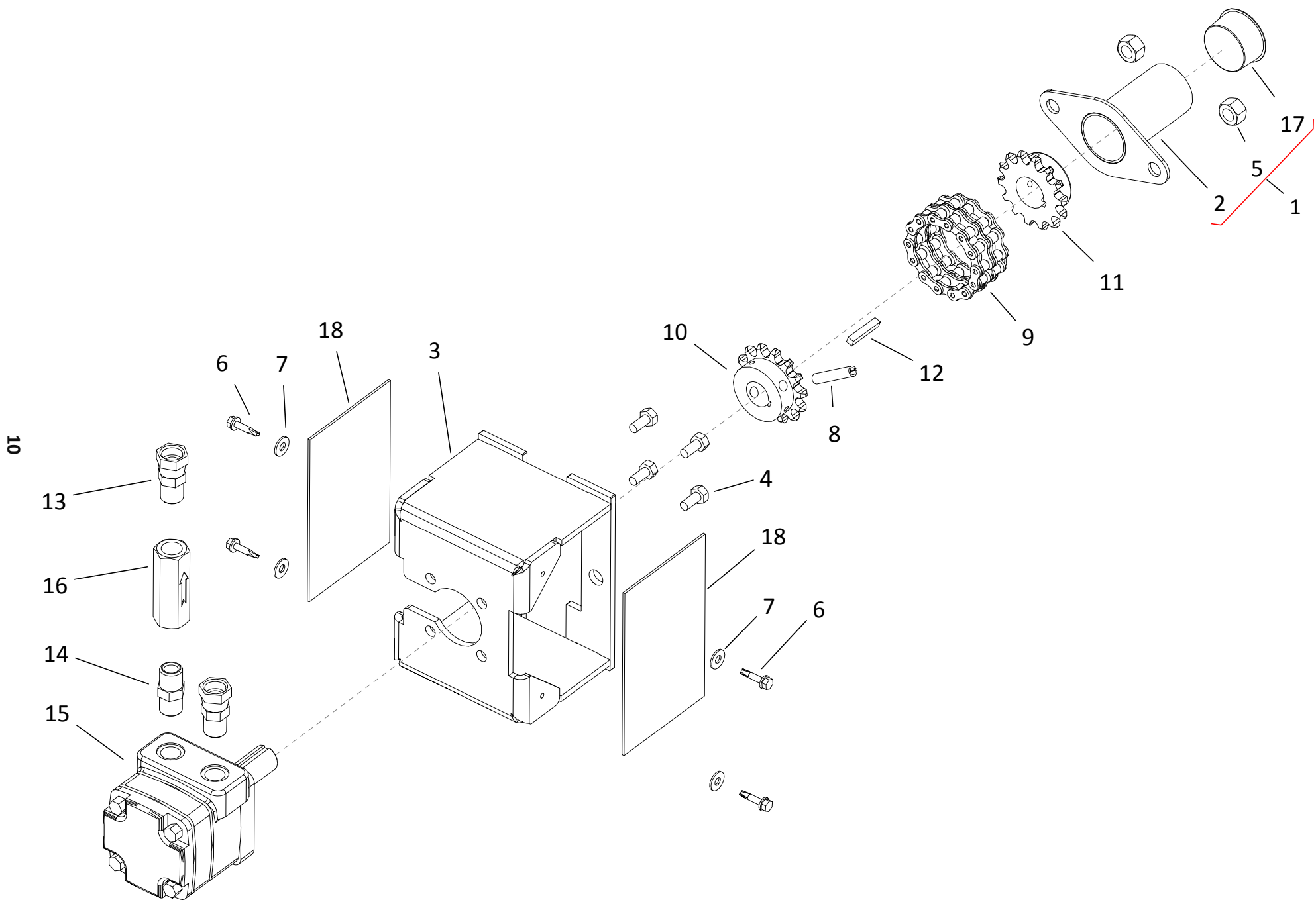
BCX² 1590 SA HOPPER (1555692X)



BCX² 1590 SA HOPPER (1555692X)

ITEM	PART NO.	DESCRIPTION
1	13100029	EXTENDED HOPPER HANDLE
2	1555597X	CX2-HOPPER -FLASHING ONLY FL
3	1555692X	BCX2 HOPPER -COLLAPSABLE TR
4	15042303	BCX2 FL UNDERSIDE COVER MAIN
5	15042304	BCX2 FL UNDERSIDE COVER FRONT
6	15070012	TAKE-UP ROLLER-1-1/4" LAGGED
7	15100016	BCX2 TRANSFER HOPPER
8	15100126	CX2 HOPPER CLOTH FRAME-UPPER KIT
9	15100127	CX2 HOPPER CLOTH FRAME-LOWER KIT
10	15102058	LOWER CLOTH FRAME TR FRONT
11	15102068	FX2 UPPER CLOTH FRAME SIDES
12	15102069	FX2 UPPER CLOTH FRAME FRONT
13	15102189	15FL LOWER CLOTH FRAME SIDE
14	15102199	CX2 LOWER CLOTH FRAME TRANS
15	15103230	CABLE 1/8" 7X19 GAC (13.25')
16	P0113004	CARRIAGE BOLT 1/2"X1-1/2"PLATED
17	P0113022	CARRIAGE BOLT 1/4"X3/4" GR2 PLATED
18	P0113025	BOLT CARRIAGE 1/4"X1" PLATED F/T
19	P0114010	TAP BOLT 3/4 X 9 UNC GR.5 PLATED
20	P0115113	BOLT 3/8" X 1-1/2" GR8 PLATED
21	P0116001	ELEVATOR BOLT 1/4"X1-1/4"
22	P0118026	BOLT 1/4" X 1-1/2" GR8 PLATED
23	P0131016	NUT 1/4" PLATED GRADE 8
24	P0131018	NUT 3/8" PLATED GRADE 8
25	P0131019	NUT 3/4" PLATED GRADE 8
26	P0134008	LOCKNUT-NYLON-1/2"
27	P0134023	LOCKNUT-NYLON-1/4" GR8
28	P0134104	LOCKNUT-TENSILOCK-1/4" GR 5
29	P0145004	SET SCREW-7/16"X1-1/2"SQ.HD.PLATED
30	P0151009	FLAT WASHER 3/8"PLATED USS
31	P0163015	PIN 3/8" X 1-3/8" LOCKING
32	P0184040	SPACER, TENSION CLAMP
33	P0184041	TENSION CLAMP, LATCH
34	P0521005	HOPPER SPRING-L-.437
35	P0521006	HOPPER SPRING-R-.437
36	P0712104	CABLE CLAMP-1/8" GALV.
37	P0713104	CABLE SHEAVE-1-1/4" W/BEARING
38	P0871013	ELBOW-RAIL FTNG FOR 1/2" SCH PIPE
39	P1621043	BCX2 CANVAS-15FL
40	P1711002	FLANGE UNIT-1-1/4"-SAFL206-20
41	15102084	CX2 TR CABLE SHEAVE BRACKET
42	P19159012	FRONT HOPPER FLASHING
43	P19159020	FX-HOPPER SIDE FLASHING
44	P19159021	FX-15FL HOPPER FLASHING LH
45	P19159022	FX-15FL HOPPER FLASHING RH
46	P20315003	FX-15FL TRANSITION ROLLER

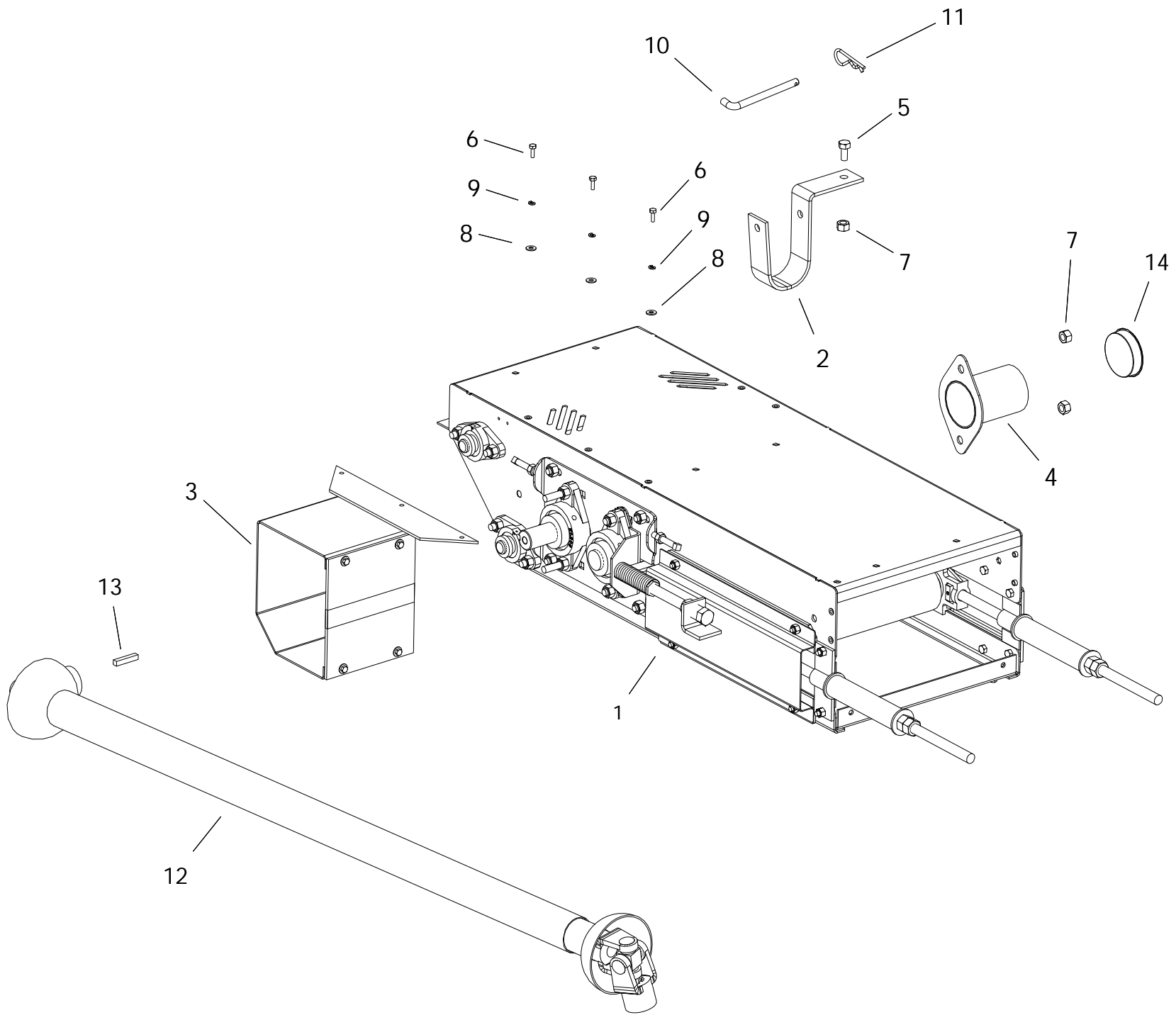
FX1500 SA HYD DRIVE KIT (15000286)



FX1500 SA HYD DRIVE KIT (15000286)

ITEM	PART NO.	DESCRIPTION
	15000286	FX1500 SA HYD DRIVE KIT
1	1300035X	SHAFT GUARD FL-206 ASSY KIT
2	13041038	SHAFT GUARD(FL-206)
3	13060001	HYD MOTOR MOUNT 1314
4	P0115055	Bolt Hex 3/8 x 3/4
5	P0134008	LOCKNUT-NYLON-1/2"
6	P0141002	TEK SCREW 1/4"X1"
7	P0151006	FLAT WASHER 1/4"PLATED USS
8	P0167002	SPRING PIN 3/8" X 2"
9	P0311001	ROLLER CHAIN FOR DRIVE(50-2RX14+CL)
10	P0335140	SPROCKET 5014 1.0(KEY0.25)
11	P0335141	SPROCKET 5014 1.25(KEY0.25)
12	P0391003	KEY 1/4" X 1-1/2" LONG
13	P0821112	SWIVEL-1/2" STRAIGHT
14	P0821133	HEX NIPPLE-1/2"
15	P0841012	HYD MOTOR-6.3 (5.9H) RS-1/2" HOLE
16	P0861035	CHECK VALVE-1/2" (NO HOLE)
17	P1210032	FL-206 SHAFT GUARD PLUG
18	P1210100	1 1/4 HYDMTR GUARD 4.5 X 6.5

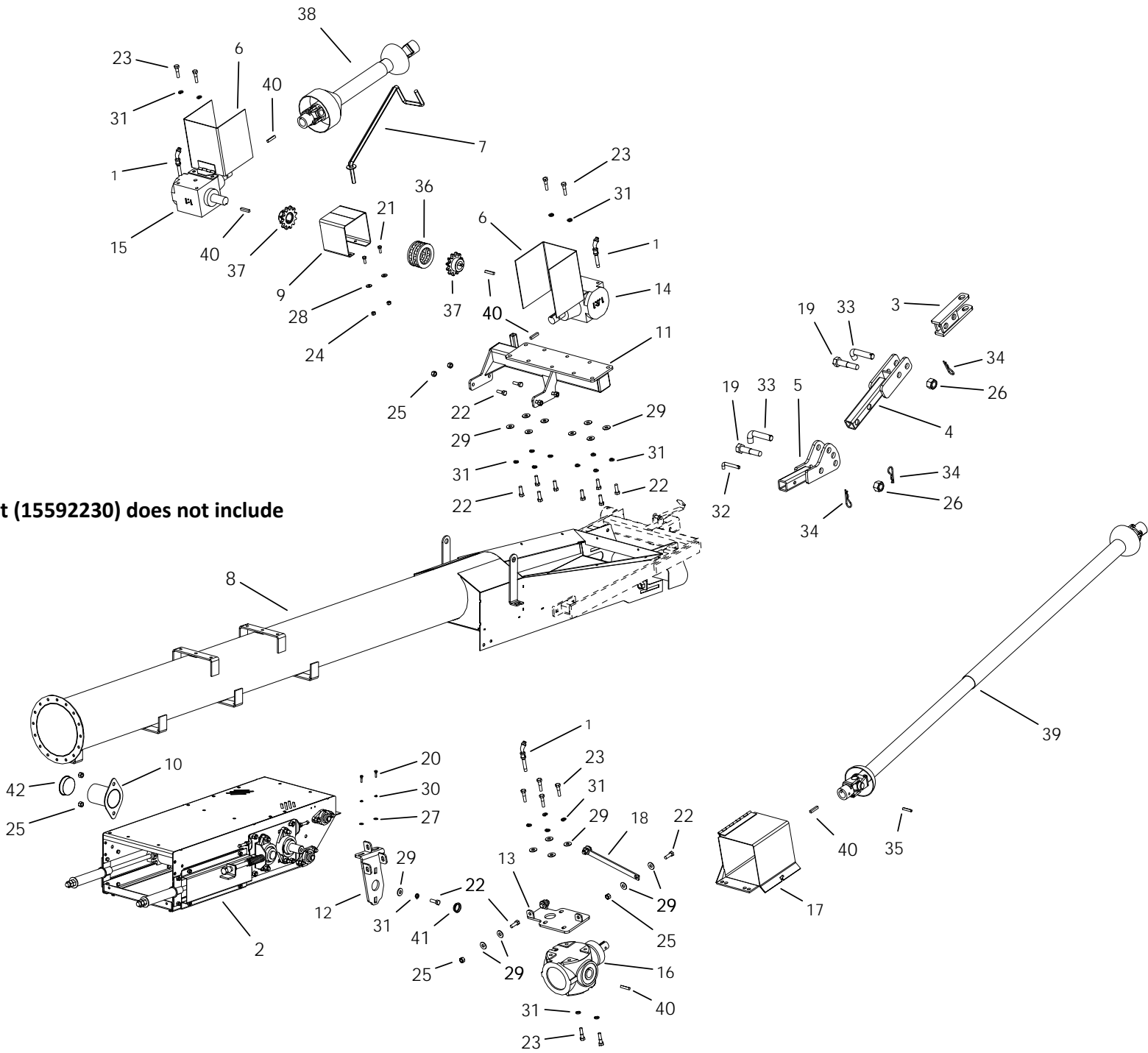
SIDE PTO DRIVE KIT (15592200)



SIDE PTO DRIVE KIT (15592200)

ITEM	PART NO.	DESCRIPTION
	15592200	PTO KIT 15 SERIES
1	15590020	S-DRIVE ASM W/PINCH
2	13042018	PTO CRADLE
3	15040002	PTO GUARD
4	15041038	SHAFT GUARD(FL-208)
5	P0115012	BOLT 1/2" X 1"
6	P0115033	BOLT 1/4" X 3/4" GRADE 5 PLATED
7	P0134008	LOCKNUT-NYLON-1/2"
8	P0151006	FLAT WASHER 1/4"PLATED USS
9	P0152004	LOCK WASHER 1/4"PLATED
10	P0162004	HITCH PIN 1/2" X 5" PLATED
11	P0163001	HAIR PIN 3/16" X 3-1/4"
12	P0381014	PTO SHAFT 1-1/2"X75"
13	P0391002	KEY 3/8" X 2" LONG
14	P1210033	501 SHAFT GUARD PLUG

FRONT DRIVE PTO KIT 15 SERIES (15592230)

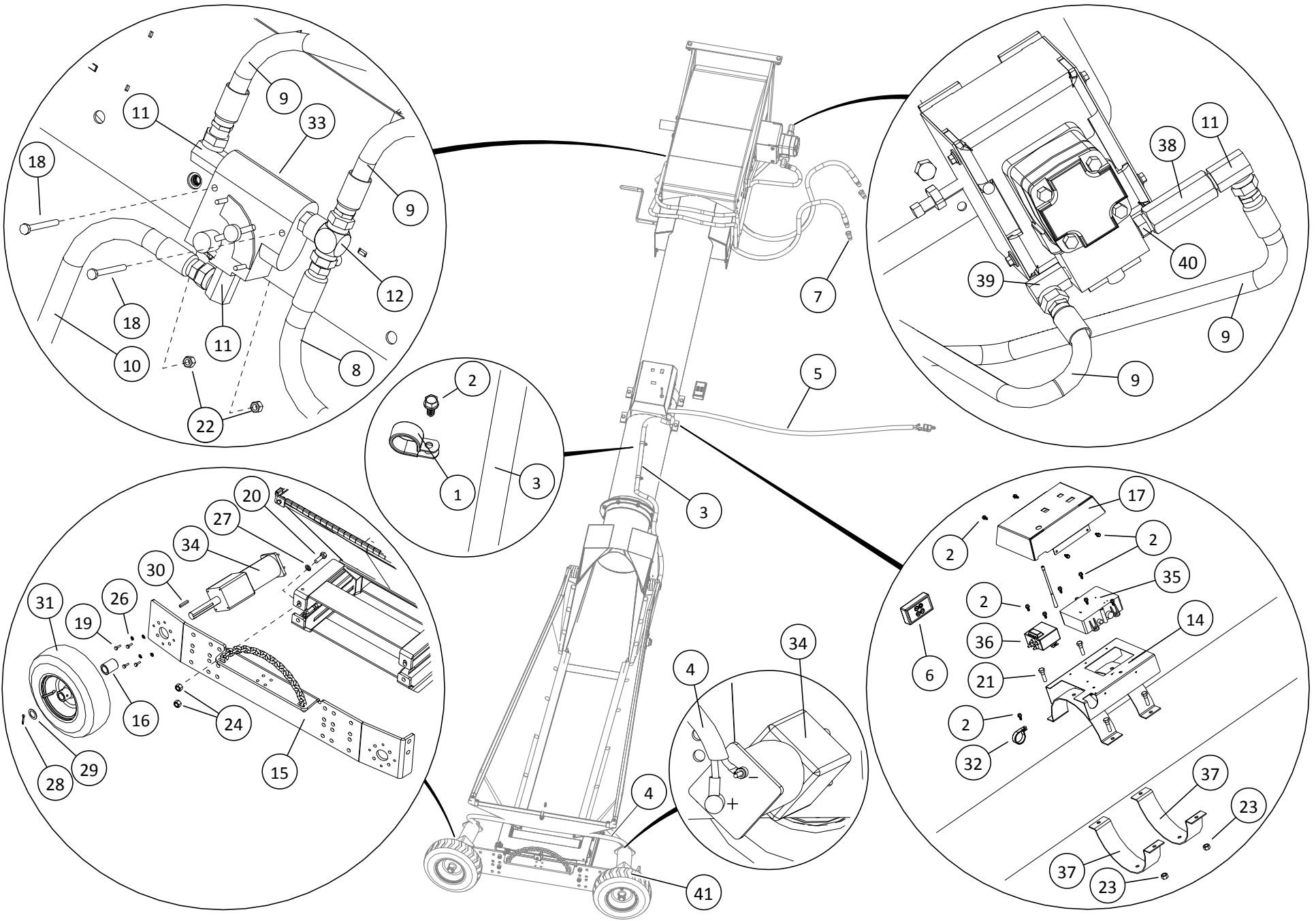


Note: Front PTO Kit (15592230) does not include item # 2, 8

FRONT DRIVE PTO KIT 15 SERIES (15592230)

ITEM	PART NO.	DESCRIPTION
	15592230	FRONT DRIVE PTO KIT 15 SERIES
1	01010002	BREATHER -SWING AWAY
2	15590020	S-DRIVE ASM W/PINCH
3	13030017	CLEVIS
4	13030064	13/15 ADJUSTABLE CLEVIS
5	13030065	15 SWING ADJUSTABLE TONGUE
6	13040011	PTO GUARD SWING
7	13090019	SWING PTO CRADLE
8	15020040	BT HOPPER SECTION 10' WITH SD BKTS
9	15040009	COUPLING GUARD
10	15041038	SHAFT GUARD(FL-208)
11	15090067	GEARBOX MOUNT PLATFORM
12	15090071	SWING GEARBOX SIDE MT (SD)
13	15090072	SWING GEARBOX SIDE MT (GBOX)
14	15591000	GBOX 90 1:1 CW/CW 1-1/2 4190 W/OIL
15	15591002	GBOX 90 1:1 CW/CCW 1-1/2 4190 W/OIL
16	15591003	GBOX 90 1.5:1SFTMT 1-1/2 5190 W/OIL
17	20040008	GUARD 6190GB FLIP-UP
18	20092097	SWING 6190 GBOX SIDE MT (LINK ARM)
19	P0118007	BOLT 1" X 4-1/2" GR8 PLATED
20	P0118131	BOLT 1/4" X 1" GR8 PLATED
21	P0118046	BOLT 3/8" X 1" GR8 PLATED
22	P0118013	BOLT 1/2"X1 1/2" GR.8 PLATED
23	P0118016	BOLT 1/2" X 2" GR8 PLATED
24	P0134026	LOCKNUT-NYLON-3/8" GRADE 8
25	P0134008	LOCKNUT-NYLON-1/2"
26	P0134030	LOCKNUT-NYLON-1" GRADE 8
27	P0151006	FLAT WASHER 1/4"PLATED USS
28	P0151009	FLAT WASHER 3/8"PLATED USS
29	P0151029	FLAT WASHER 1/2"PLATED USS
30	P0152004	LOCK WASHER 1/4"PLATED
31	P0152008	LOCK WASHER 1/2"PLATED
32	P0162001	HITCH PIN 1/2" X 3" PLATED
33	P0162003	HITCH PIN 1" X 3-1/2" PLATED
34	P0163001	HAIR PIN 3/16" X 3-1/4"
35	P0167002	SPRING PIN 3/8" X 2"
36	P0311003	CHAIN FOR DRIVE(80-2RX12+CL)
37	P0338122	SPROCKET-H80B12 X 1-1/2
38	P0381003	CV SHAFT-14E W/1-1/2"IMP.END
39	P0381028	PTO SHAFT-1-1/2" BOTH ENDS-105"-35
40	P0391002	KEY 3/8" X 2" LONG
41	P1210022	RECESSED HEAD BUTTON PLUG 1-1/2"
42	P1210033	501 SHAFT GUARD PLUG
43	15030015	15 SERIES HITCH

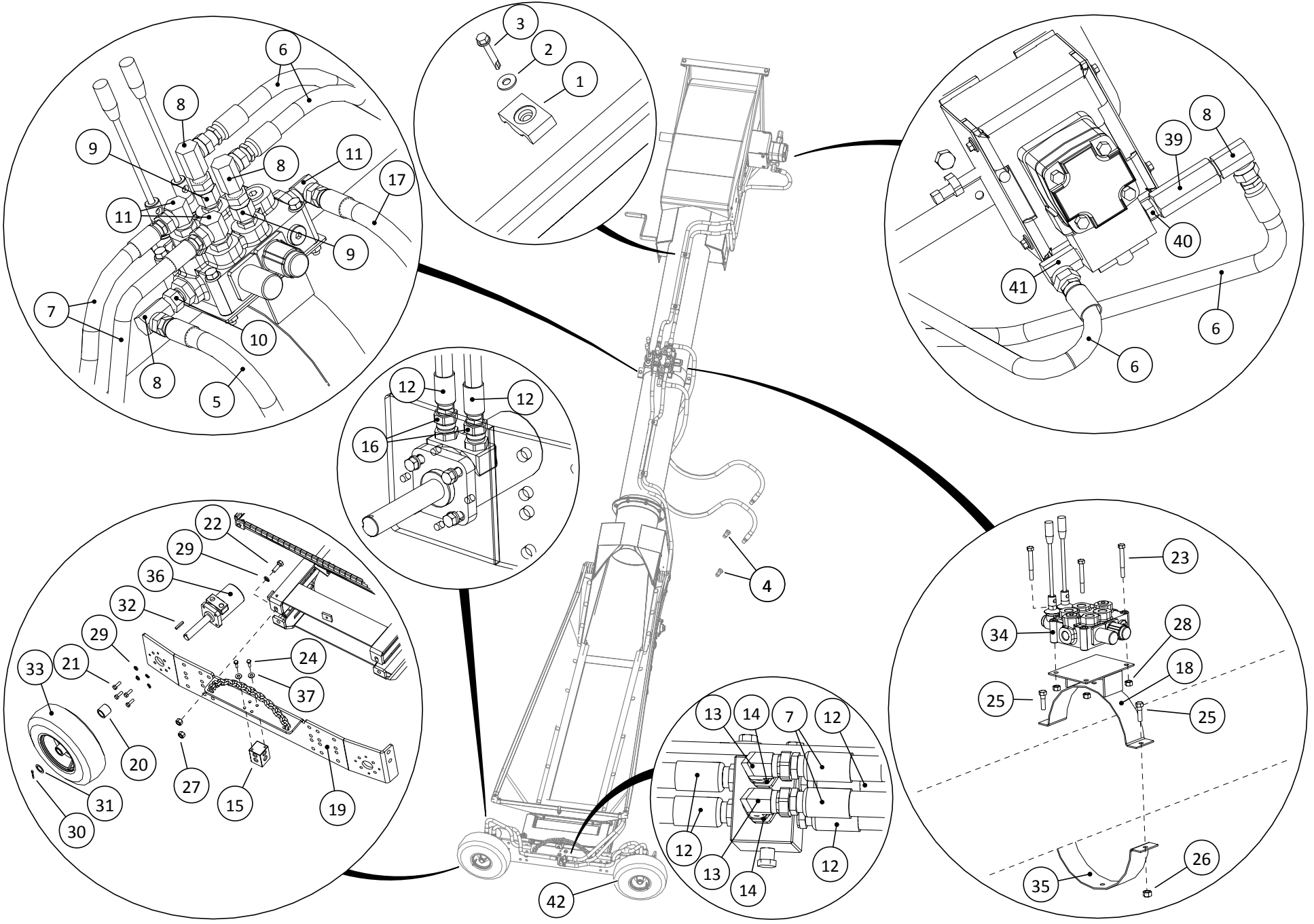
ELECTRIC-REMOTE POWER SWING KIT (15584440)



ELECTRIC-REMOTE POWER SWING KIT (15584440)

ITEM	PART NO.	DESCRIPTION
1	P0712111	CABLE CLAMP-7/8" INSULATED
2	P0141002	TEK SCREW 1/4"X1"
3	15581204	CABLE, RECEIVER-MOTOR ASSY
4	20581203	CABLE, MOTOR-MOTOR ASSY
5	20581205	CABLE, RECEIVER-BREAKER ASSY
6	P0941001	REMOTE TRANSMITTER
7	P0820401	QUICK COUPLING NIPPLE
8	P0832031	HOSE 1/2(15')-1/2MPT-1/2MPT PC
9	P0832051	HOSE 3/8(6')-1/2"MPT-1/2"MPT PC
10	P0832017	HOSE 3/8(15')-1/2"MPT-1/2"MPT PC
11	P0820001	SWIVEL-1/2"90 DEGREE
12	P0821201	TEE-SWIVEL-1/2" FEM.
13	P0821133	HEX NIPPLE-1/2"
14	15581201	RECEIVER BRACKET WELDMENT & PAINTED
15	20090083	POWER SWING BASE (DUAL MOTOR)
16	20092152	POWER SWING FILLER RING 1-7/8"
17	20581202	RECEIVER COVER WELDED & PAINTED
18	P0118030	BOLT 1/4" X 2-1/2" GR8 PLATED
19	P0118033	BOLT 1/4" X 3/4" GR8 PLATED
20	P0118013	BOLT 1/2"X1 1/2" GR.8 PLATED
21	P0118077	BOLT 7/16"X1-1/2" GRADE 8 PLATED
22	P0134023	LOCKNUT-NYLON-1/4" GR8
23	P0134007	LOCKNUT-NYLON-7/16"
24	P0134008	LOCKNUT-NYLON-1/2"
25	P0141002	TEK SCREW 1/4"X1"
26	P0152004	LOCK WASHER 1/4"PLATED
27	P0152008	LOCK WASHER 1/2"PLATED
28	P0161002	COTTER PIN 5/32X1-1/2"PLATED
29	P0351021	MACHINERY BUSHING 1"ID X 18GA
30	P0391003	KEY 1/4" X 1-1/2" LONG
31	P0610412L	TIRE-13X5.00-6 TR87-LEFT
32	P0712110	CABLE CLAMP-1 1/2" INSULATED
33	P0861016	VALVE-FLOW CONTROL 1/2
34	P0931076	GEARMOTOR 12V DC 120:1 RATIO
35	P0941011	REMOTE RECEIVER AND ANTENNA
36	P0941012	SOLENOID 12V, DC MOTOR 9824
37	P2219801	U-CLAMP -10"X2-1/2"
38	P0861035	CHECK VALVE-1/2" (NO HOLE)
39	P0820008	SWIVEL-3/8"MPTX1/2"FPT/90D
40	P0821134	NIPPLE-1/2"MPT-3/8"MPT-HEX
41	P0610412R	TIRE-13X5.00-6 TR87-RIGHT

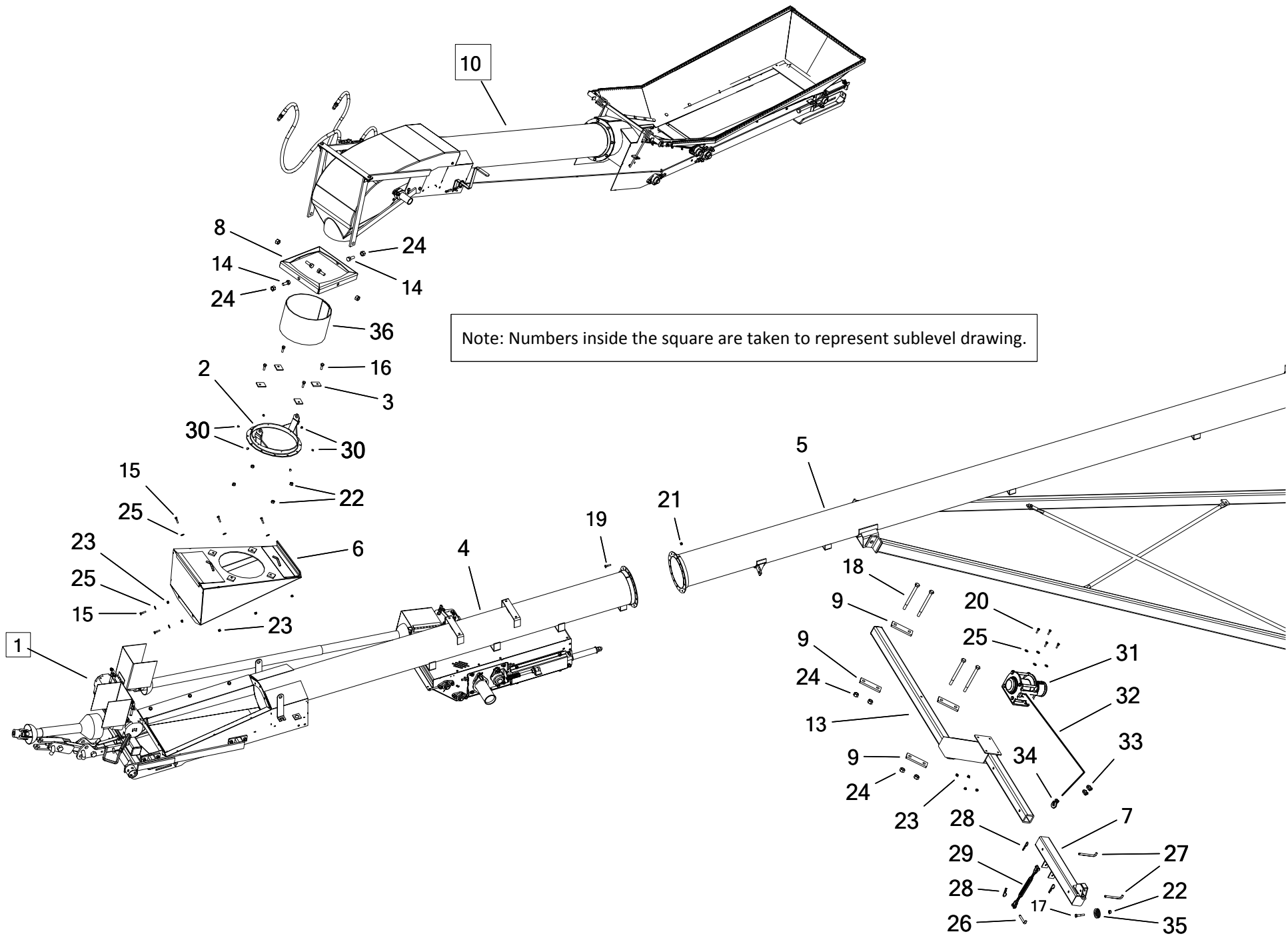
HYDRAULIC-DUAL MOTOR POWER SWING KIT (15584435)



HYDRAULIC-DUAL MOTOR POWER SWING KIT (15584435)

ITEM	PART NO.	DESCRIPTION
1	P0820804	HOSE CLAMP -3/8" PLASTIC HYD
2	P0151006	FLAT WASHER 1/4"PLATED USS
3	P0141005	TEK SCREW 1/4"X2"
4	P0820401	QUICK COUPLING NIPPLE
5	P0832017	HOSE 3/8(15')-1/2"MPT-1/2"MPT PC
6	P0832051	HOSE 3/8(6')-1/2"MPT-1/2"MPT PC
7	P0832033	HOSE 3/8(14')-1/2"MPT-3/8"MPT PC
8	P0820001	SWIVEL-1/2"90 DEGREE
9	P0821114	SWIVEL-10ORB1/2"FS
10	P0821116	SWIVEL-12MORB1/2"FPT
11	P0820003	SWIVEL-10ORB1/2F90
12	P0832066	HOSE 3/8(2')-3/8MPT-3/8MPT PC
13	P0820007	SWIVEL-3/8"PT/90D
14	P0821127	SWIVEL-3/8"-STR.
15	P0861201	CUSHION BLOCK, COMPLETE
16	P0821124	SWIVEL-1/2"MPTX3/8"FPT
17	P0832031	HOSE 1/2(15')-1/2MPT-1/2MPT PC
18	15090076	VALVE BRACKET -PS DUAL
19	20090083	POWER SWING BASE (DUAL MOTOR)
20	20092151	POWER SWING FILLER RING
21	P0115205	FLANGE BOLT 3/8 X 1" PLATED
22	P0118013	BOLT 1/2"X1 1/2" GR.8 PLATED
23	P0118053	BOLT 3/8" X 3" GR8 PLATED
24	P0118061	BOLT 5/16" X 1" GR8 PLATED
25	P0118077	BOLT 7/16"X1-1/2" GRADE 8 PLATED
26	P0134007	LOCKNUT-NYLON-7/16"
27	P0134008	LOCKNUT-NYLON-1/2"
28	P0134026	LOCKNUT-NYLON-3/8" GRADE 8
29	P0151029	FLAT WASHER 1/2"PLATED USS
30	P0161002	COTTER PIN 5/32X1-1/2"PLATED
31	P0351021	MACHINERY BUSHING 1"ID X 18GA
32	P0391003	KEY 1/4" X 1-1/2" LONG
33	P0610412L	TIRE-13X5.00-6 TR87-LEFT
34	P0861015	VALVE-2 SPL-HYSPEC-1 DETENT-22GAL.
35	P2219801	U-CLAMP -10"X2-1/2"
36	P08410121	HYD MOTOR-5.9H W/EXT.SHAFT
37	P0152010	LOCK WASHER 5/16"PLATED
39	P0861035	CHECK VALVE-1/2" (NO HOLE)
40	P0821134	NIPPLE-1/2"MPT-3/8"MPT-HEX
41	P0820008	SWIVEL-3/8"MPTX1/2"FPT/90D
42	P0610412R	TIRE-13X5.00-6 TR87-RIGHT

20

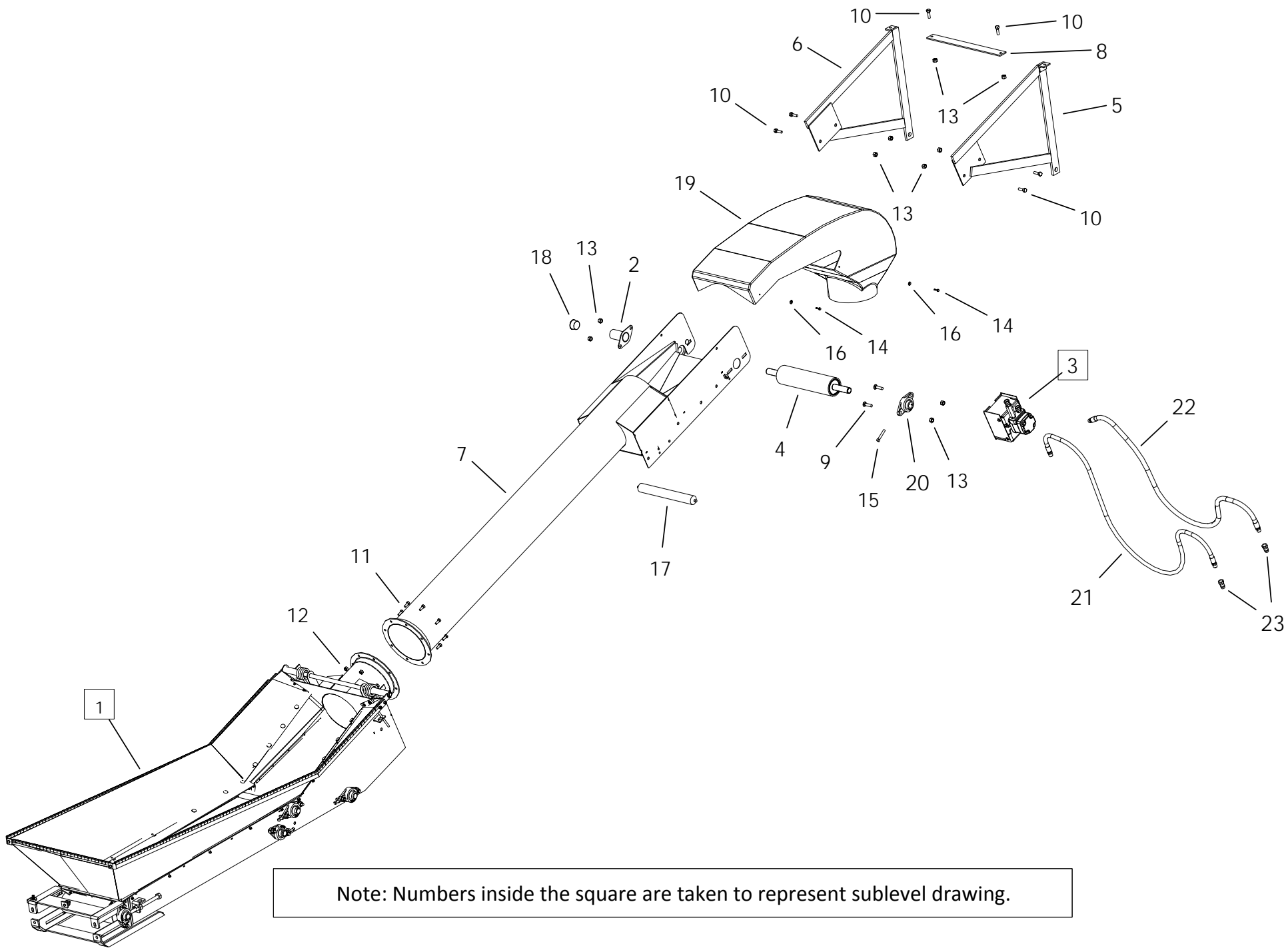


Note: Numbers inside the square are taken to represent sublevel drawing.

FX 1590 SWING AWAY (15584007)

ITEM	PART NO.	DESCRIPTION
1	15592230	FRONT DRIVE PTO KIT 15 SERIES
2	13090026	SWIVEL BASE
3	13092018	MOUNTING TAB
4	15020040	BT HOPPER SECTION 10' WITH SD BKTS
5	15020051	BOTTOM TUBE WITH ANCHORS
6	15090009	SWING HOPPER BASE
7	15090017	TRANSPORT ADJUSTMENT ARM
8	15090027	SWING SWIVEL TOP
9	15092039	TRANSPORT ARM MOUNT PLATE
10	15584210	FX SWING AWAY -TRANS ASM HYD
13	24090023	15/20/24 TRANSPORT ARM OFFSET
14	P0115111	BOLT 3/4" X 2" GR8 PLATED
15	P0115113	BOLT 3/8" X 1-1/2" GR8 PLATED
16	P0118013	BOLT 1/2"X1 1/2" GR.8 PLATED
17	P0118018	BOLT 1/2" X 3" GR8 PLATED
18	P0118048	Bolt Hex GR8 3/4 x 9
19	P0118076	BOLT 7/16"X1" GRADE 8 PLATED
20	P0118132	BOLT 3/8" X 1-1/4" GR8 PLATED
21	P0134007	LOCKNUT-NYLON-7/16"
22	P0134008	LOCKNUT-NYLON-1/2"
23	P0134026	LOCKNUT-NYLON-3/8" GRADE 8
24	P0134029	LOCKNUT-NYLON-3/4" GRADE 8
25	P0151009	FLAT WASHER 3/8"PLATED USS
26	P0162001	HITCH PIN 1/2" X 3" PLATED
27	P0162004	HITCH PIN 1/2" X 5" PLATED
28	P0163001	HAIR PIN 3/16" X 3-1/4"
29	P0182101	TURNBUCKLE 5/8" X 6"STUB
30	P0186001	RIVET-STEEL BODY 3/16" X 1/2"
31	P0217634B	HYDRAULIC WINCH KIT
32	P0711118	CABLE-5/16" (26')
33	P0712105	CABLE CLAMP-5/16" GALV.
34	P0712301	Grab Hook
35	P2210713	CABLE SHEAVE 2-3/4"OD
36	P11139010	SWING BELT SHEILD

FX SWING AWAY - TRANSFER ASSEMBLY (15584210)

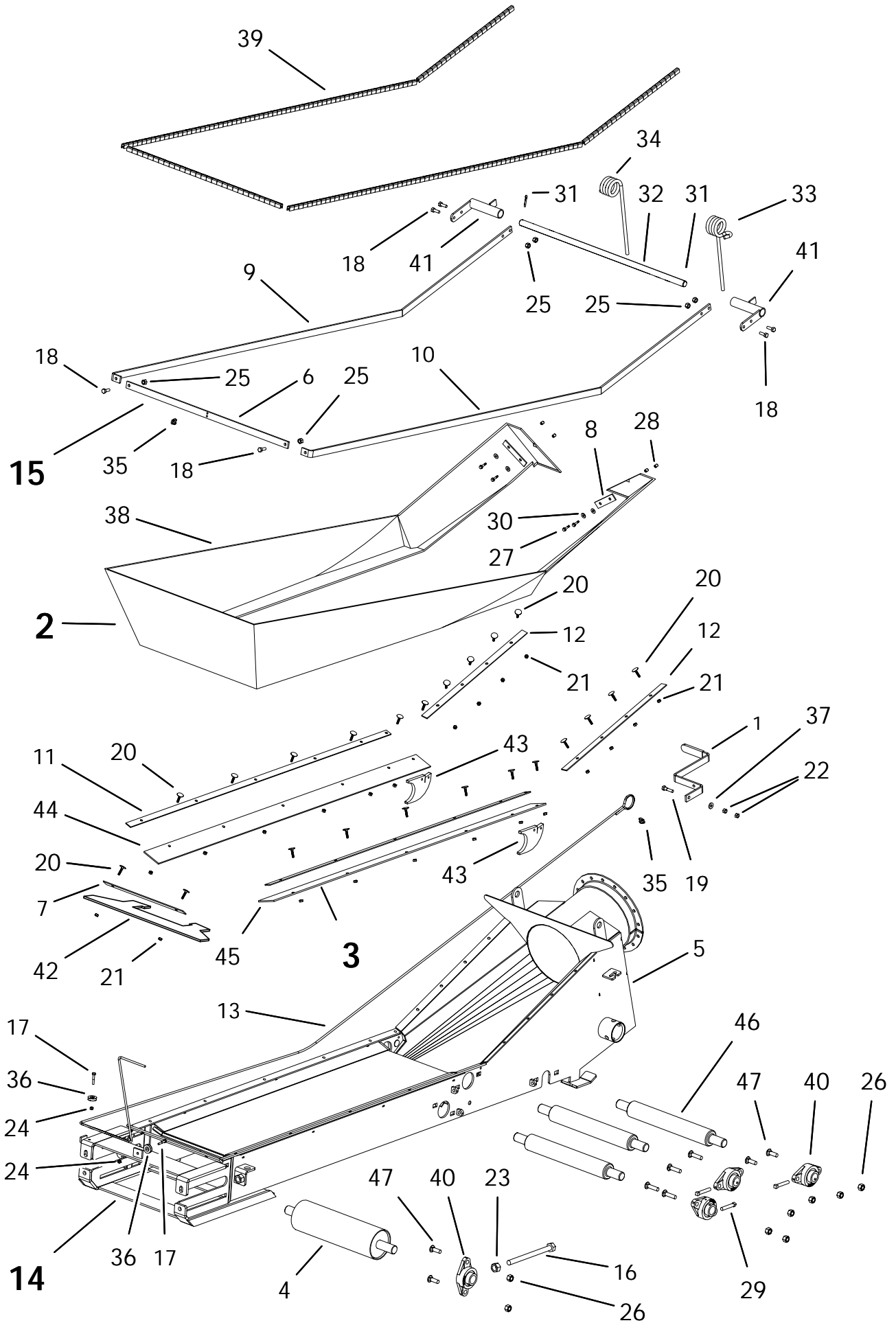


Note: Numbers inside the square are taken to represent sublevel drawing.

FX SWING AWAY -TRANSFER ASSEMBLY (15584210)

ITEM	PART NO.	DESCRIPTION
1	15100040	FX-15FL HOPPER
2	13041038	SHAFT GUARD(FL-206)
3	15000286	FX1500 SA HYD DRIVE KIT
4	15070013	SPOUT DRIVE ROLLER-1-1/4" LAGGED
5	15090007	Transfer Support Brace (RH)
6	15090008	TRANSFER SUPPORT BRACE-LH
7	15090012	7' Swing Spout
8	15092044	SUPPORT BRACE SPACER
9	P0113001	CARRIAGE BOLT 1/2"X2" PLATED
10	P0118013	BOLT 1/2"X1 1/2" GR.8 PLATED
11	P0118076	BOLT 7/16"X1" GRADE 8 PLATED
12	P0134007	LOCKNUT-NYLON-7/16"
13	P0134008	LOCKNUT-NYLON-1/2"
14	P0141002	TEK SCREW 1/4"X1"
15	P0145002	SET SCREW-7/16"X2-1/2"SQ.HD.
16	P0151006	FLAT WASHER 1/4"PLATED USS
17	P1021006	ROLLER HEX 15-7/8"
18	P1210032	FL-206 SHAFT GUARD PLUG
19	P1211501	HOOD-ROUND 15 SERIES (KANBAN)
20	P1711002	FLANGE UNIT-1-1/4"-SAFL206-20
21	P0832017	HOSE 3/8(15')-1/2"MPT-1/2"MPT PC
22	P0832031	HOSE 1/2(15')-1/2MPT-1/2MPT PC
23	P0820401	QUICK COUPLING NIPPLE

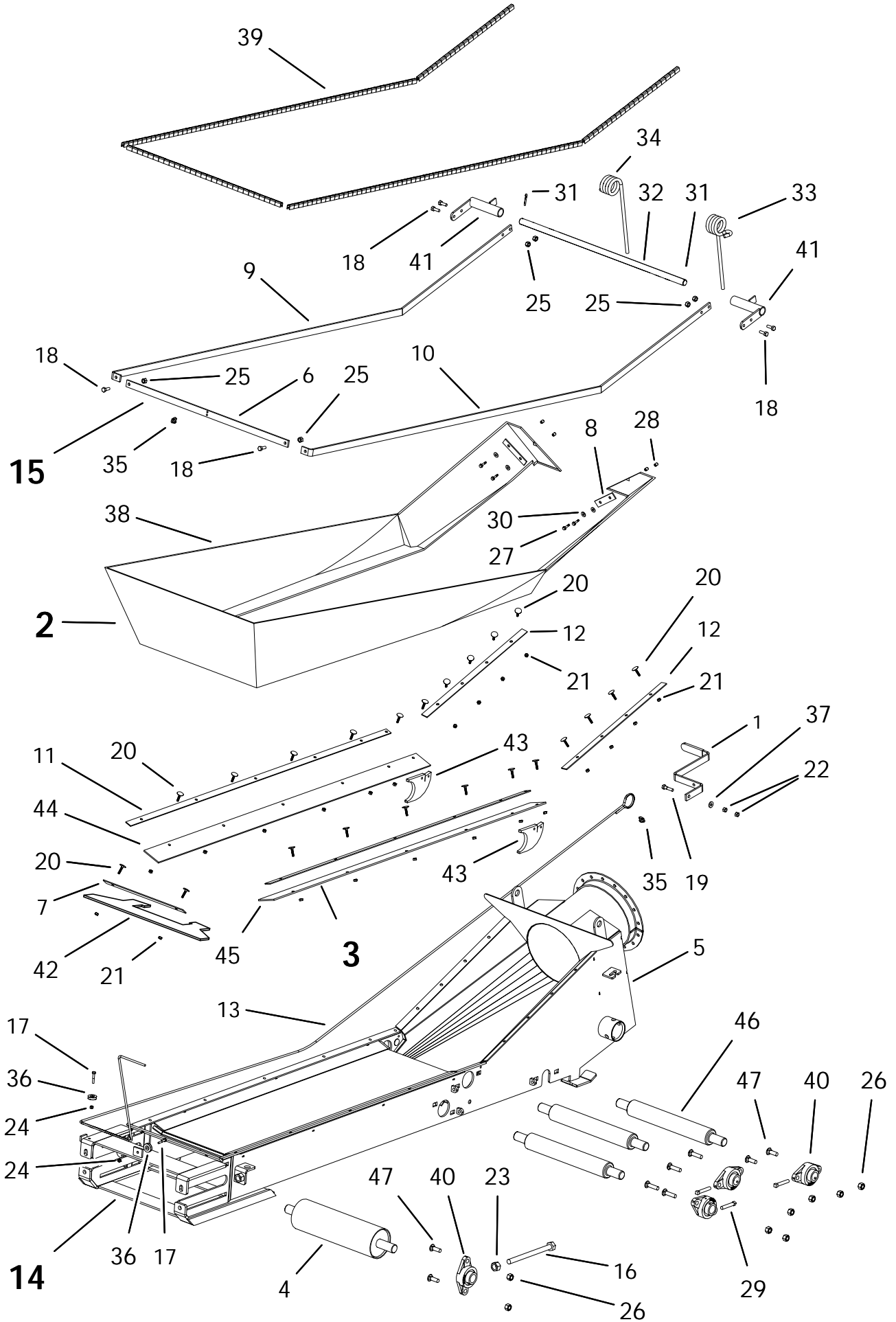
FX HOPPER (15100040)



FX HOPPER (15100040)

ITEM	PART NO.	DESCRIPTION
1	13100008	HOPPER HANDLE
2	15000291	FX HOPPER -COLLAPSABLE FL
3	15000292	FX-HOPPER -FLASHING ONLY FL
4	15070012	TAKE-UP ROLLER-1-1/4" LAGGED
5	15100040	FX-15FL HOPPER
6	15102018	UPPER CLOTH FRAME TR FRONT
7	15102058	LOWER CLOTH FRAME TR FRONT
8	15102061	LOWER CLOTH FRAME TR BACK
9	15102184	15FL UPPER CLOTH FRAME RIGHT FX
10	15102185	15FL UPPER CLOTH FRAME LEFT FX
11	15102189	15FL LOWER CLOTH FRAME SIDE
12	15102190	15FL LOWER CLOTH FRAME TRANS
13	15103229	CABLE 1/8" 7X19 GAC (18')
14	15555545	FX-15 HOPPER RLLER KIT -FL
15	15100121	HOPPER CLOTH FRAME-UPPER KIT FX
16	P0114010	TAP BOLT 3/4 X 9 UNC GR.5 PLATED
17	P0115026	BOLT 1/4" X 1-1/2" GR5 PLATED
18	P0115046	BOLT 3/8"X1" GRADE 5 PLATED
19	P0115047	BOLT 3/8"X1-1/2" GRADE 5 PLATED
20	P0116001	ELEVATOR BOLT 1/4"X1-1/4"
21	P0131016	NUT 1/4" PLATED GRADE 8
22	P0131006	NUT 3/8" PLATED
23	P0131112	NUT 3/4"PLATED
24	P0134004	LOCKNUT-NYLON-1/4"
25	P0134026	LOCKNUT-NYLON-3/8" GRADE 8
26	P0134008	LOCKNUT-NYLON-1/2"
27	P0141002	TEK SCREW 1/4"X1"
28	P0145001	VINYL SCREW CAP
29	P0145004	SET SCREW-7/16"X1-1/2"SQ.HD.PLATED
30	P0151006	FLAT WASHER 1/4"PLATED USS
31	P0161003	COTTER PIN 3/16"X1-1/2"PLATED
32	P0162007	HOPPER PIVOT SHAFT-13/15
33	P0521005	HOPPER SPRING-L-.437
34	P0521006	HOPPER SPRING-R-.437
35	P0712104	CABLE CLAMP-1/8" GALV.
36	P0713104	CABLE SHEAVE-1-1/4" W/BEARING
37	P1210010	Washer Nylon 3/8 USS
38	P1621024	HOPPER CANVAS FX15FL
39	P1641015	TRIM LOCK
40	P1711002	FLANGE UNIT-1-1/4"-SAFL206-20
41	P2515017	PIVOT SHAFT BRACKET
42	P19159012	FRONT HOPPER FLASHING
43	P19159020	FX-HOPPER SIDE FLASHING
44	P19159021	FX-15FL HOPPER FLASHING LH
45	P19159022	FX-15FL HOPPER FLASHING RH
46	P20315003	FX-15FL TRANSITION ROLLER

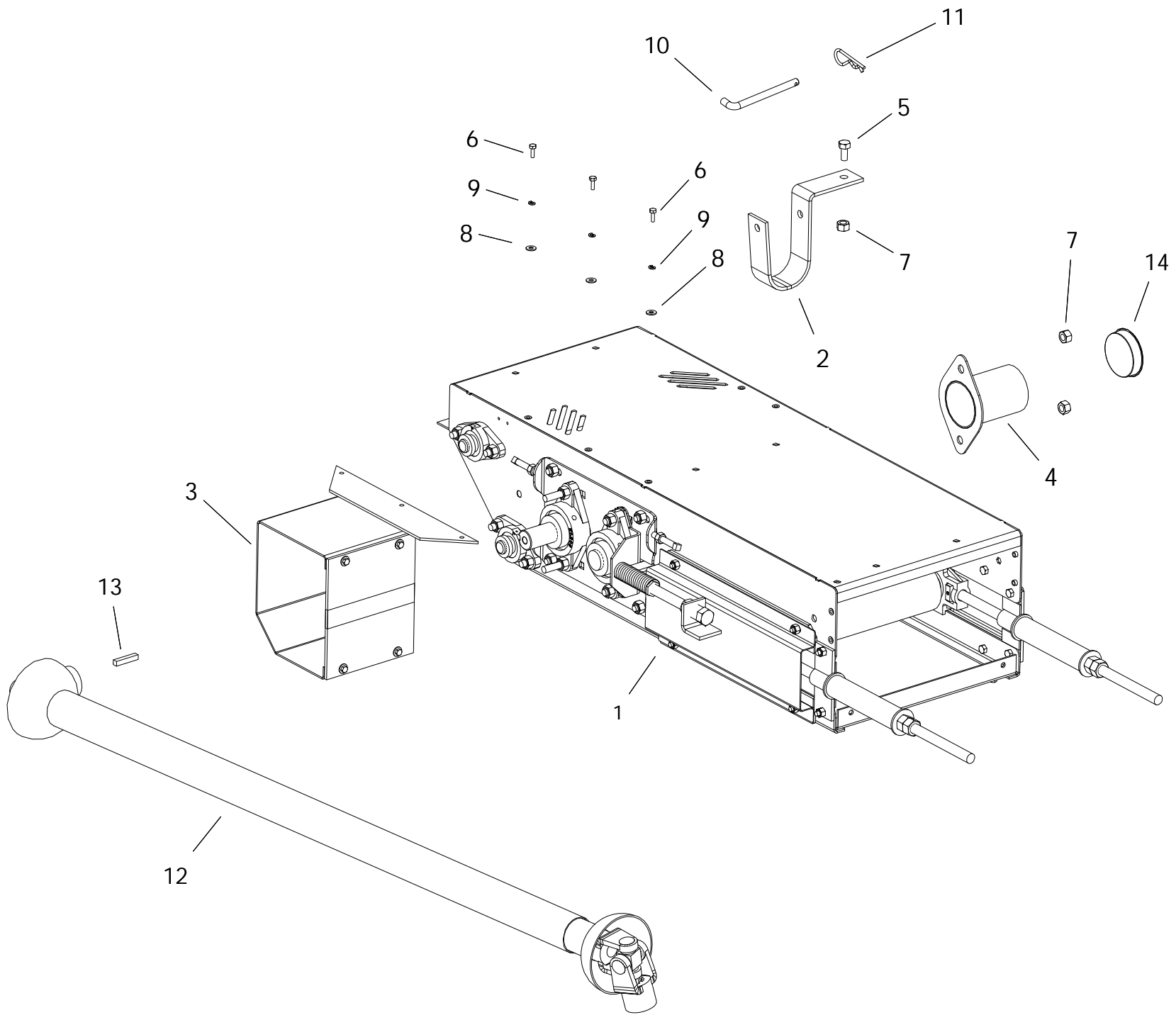
FX HOPPER (15100040)



FX HOPPER (15100040)

ITEM	PART NO.	DESCRIPTION
47	P0113004	CARRIAGE BOLT 1/2"X1-1/2"PLATED

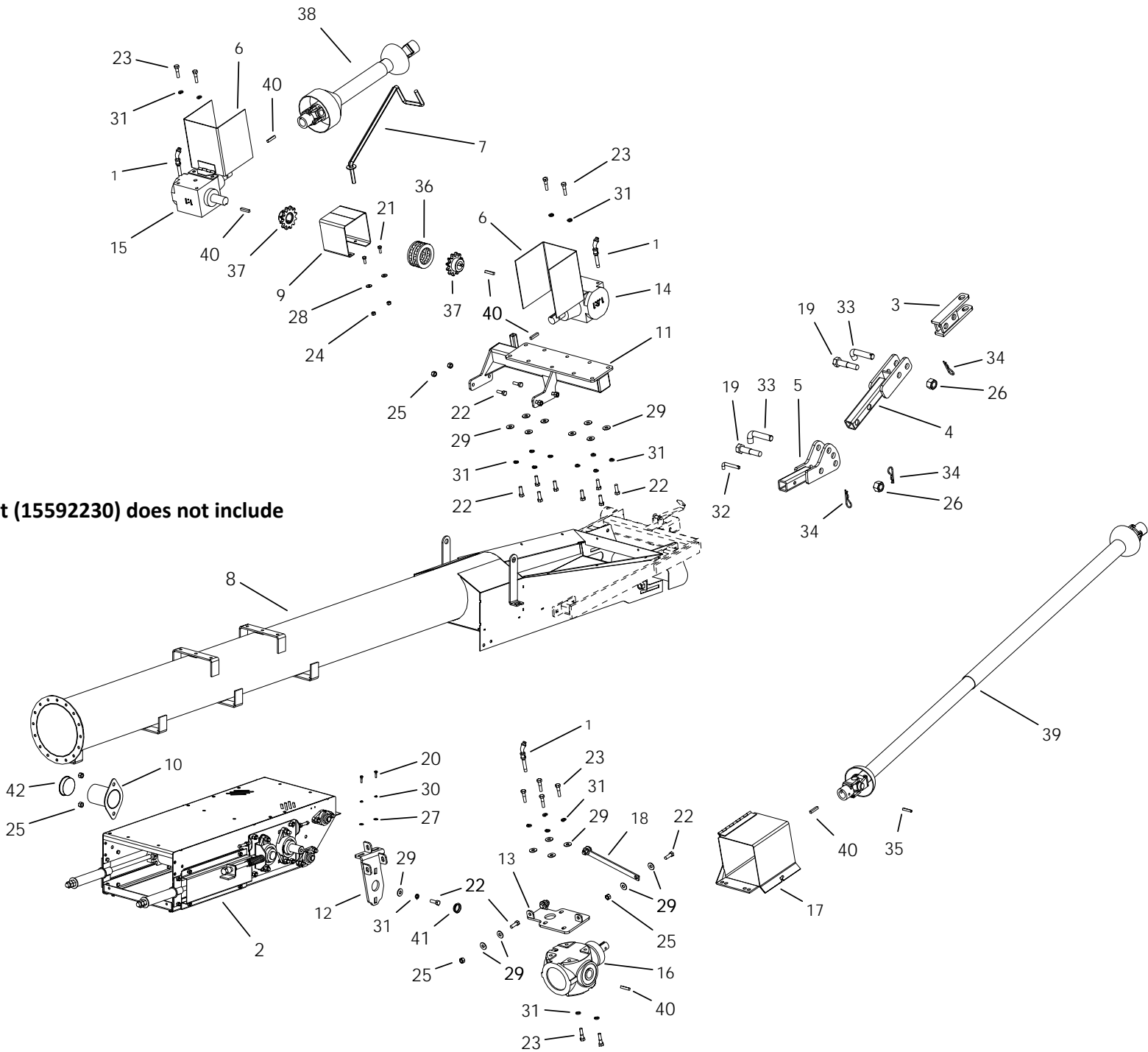
SIDE PTO DRIVE KIT (15592200)



SIDE PTO DRIVE KIT (15592200)

ITEM	PART NO.	DESCRIPTION
	15592200	PTO KIT 15 SERIES
1	15590020	S-DRIVE ASM W/PINCH
2	13042018	PTO CRADLE
3	15040002	PTO GUARD
4	15041038	SHAFT GUARD(FL-208)
5	P0115012	BOLT 1/2" X 1"
6	P0115033	BOLT 1/4" X 3/4" GRADE 5 PLATED
7	P0134008	LOCKNUT-NYLON-1/2"
8	P0151006	FLAT WASHER 1/4"PLATED USS
9	P0152004	LOCK WASHER 1/4"PLATED
10	P0162004	HITCH PIN 1/2" X 5" PLATED
11	P0163001	HAIR PIN 3/16" X 3-1/4"
12	P0381014	PTO SHAFT 1-1/2"X75"
13	P0391002	KEY 3/8" X 2" LONG
14	P1210033	501 SHAFT GUARD PLUG

FRONT DRIVE PTO KIT 15 SERIES (15592230)

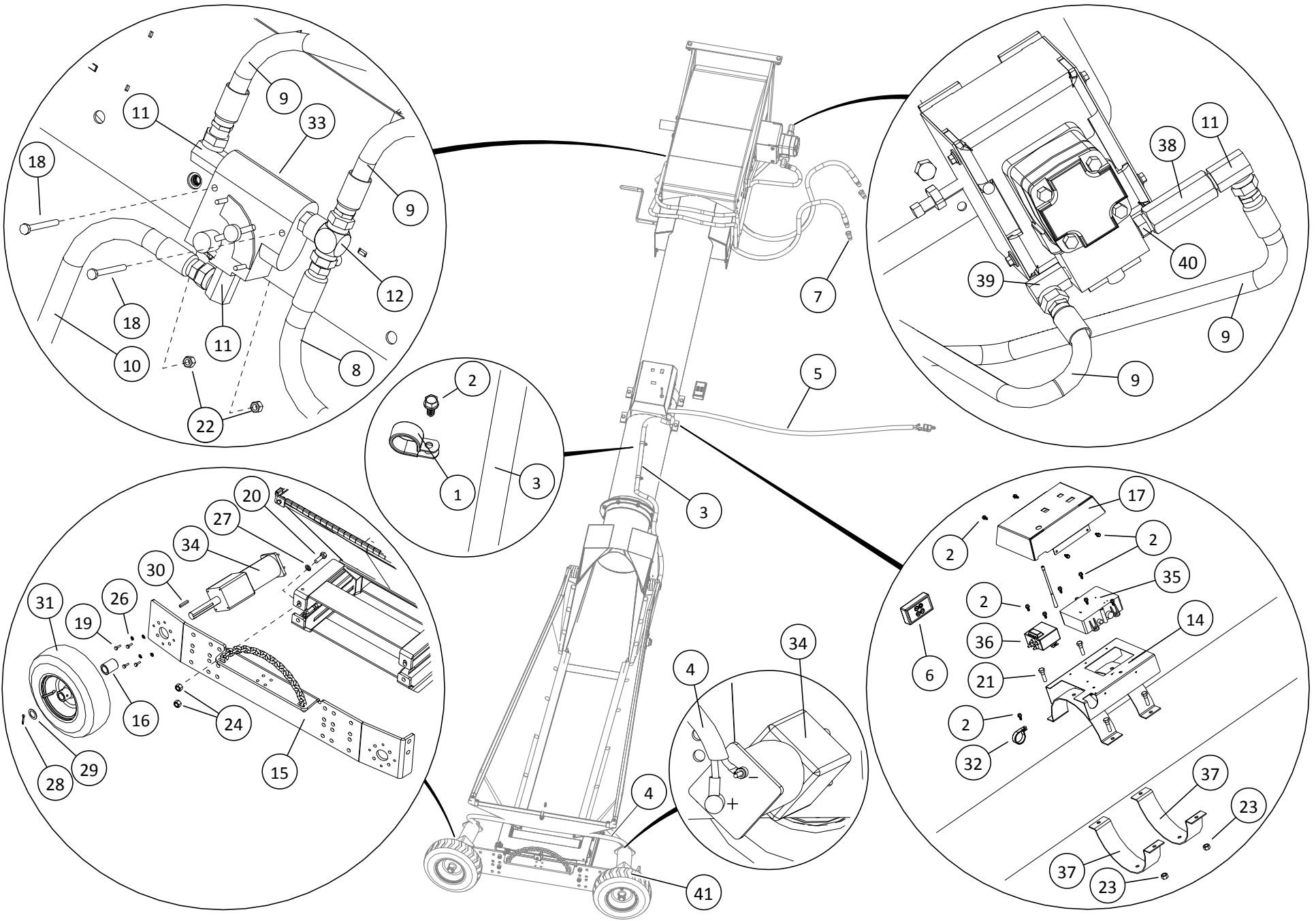


Note: Front PTO Kit (15592230) does not include item # 2, 8

FRONT DRIVE PTO KIT 15 SERIES (15592230)

ITEM	PART NO.	DESCRIPTION
	15592230	FRONT DRIVE PTO KIT 15 SERIES
1	01010002	BREATHER -SWING AWAY
2	15590020	S-DRIVE ASM W/PINCH
3	13030017	CLEVIS
4	13030064	13/15 ADJUSTABLE CLEVIS
5	13030065	15 SWING ADJUSTABLE TONGUE
6	13040011	PTO GUARD SWING
7	13090019	SWING PTO CRADLE
8	15020040	BT HOPPER SECTION 10' WITH SD BKTS
9	15040009	COUPLING GUARD
10	15041038	SHAFT GUARD(FL-208)
11	15090067	GEARBOX MOUNT PLATFORM
12	15090071	SWING GEARBOX SIDE MT (SD)
13	15090072	SWING GEARBOX SIDE MT (GBOX)
14	15591000	GBOX 90 1:1 CW/CW 1-1/2 4190 W/OIL
15	15591002	GBOX 90 1:1 CW/CCW 1-1/2 4190 W/OIL
16	15591003	GBOX 90 1.5:1SFTMT 1-1/2 5190 W/OIL
17	20040008	GUARD 6190GB FLIP-UP
18	20092097	SWING 6190 GBOX SIDE MT (LINK ARM)
19	0118007	BOLT 1" X 4-1/2" GR8 PLATED
20	P0118131	BOLT 1/4" X 1" GR8 PLATED
21	P0118046	BOLT 3/8" X 1" GR8 PLATED
22	P0118013	BOLT 1/2"X1 1/2" GR.8 PLATED
23	P0118016	BOLT 1/2" X 2" GR8 PLATED
24	P0134026	LOCKNUT-NYLON-3/8" GRADE 8
25	P0134008	LOCKNUT-NYLON-1/2"
26	P0134030	LOCKNUT-NYLON-1" GRADE 8
27	P0151006	FLAT WASHER 1/4"PLATED USS
28	P0151009	FLAT WASHER 3/8"PLATED USS
29	P0151029	FLAT WASHER 1/2"PLATED USS
30	P0152004	LOCK WASHER 1/4"PLATED
31	P0152008	LOCK WASHER 1/2"PLATED
32	P0162001	HITCH PIN 1/2" X 3" PLATED
33	P0162003	HITCH PIN 1" X 3-1/2" PLATED
34	P0163001	HAIR PIN 3/16" X 3-1/4"
35	P0167002	SPRING PIN 3/8" X 2"
36	P0311003	CHAIN FOR DRIVE(80-2RX12+CL)
37	P0338122	SPROCKET-H80B12 X 1-1/2
38	P0381003	CV SHAFT-14E W/1-1/2"IMP.END
39	P0381028	PTO SHAFT-1-1/2" BOTH ENDS-105"-35
40	P0391002	KEY 3/8" X 2" LONG
41	P1210022	RECESSED HEAD BUTTON PLUG 1-1/2"
42	P1210033	501 SHAFT GUARD PLUG
43	15030015	15 SERIES HITCH

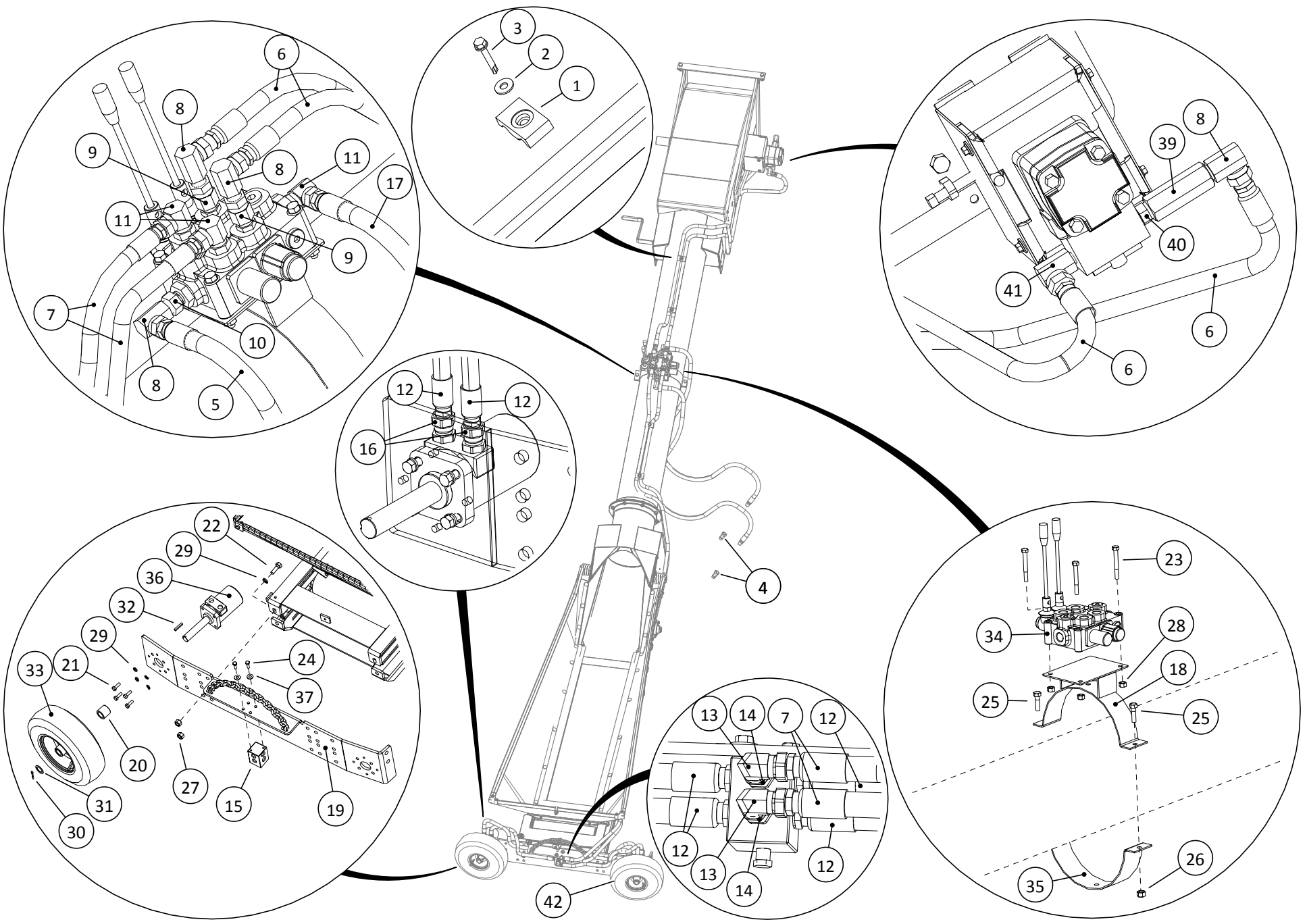
ELECTRIC-REMOTE POWER SWING KIT (15584440)



ELECTRIC-REMOTE POWER SWING KIT (15584440)

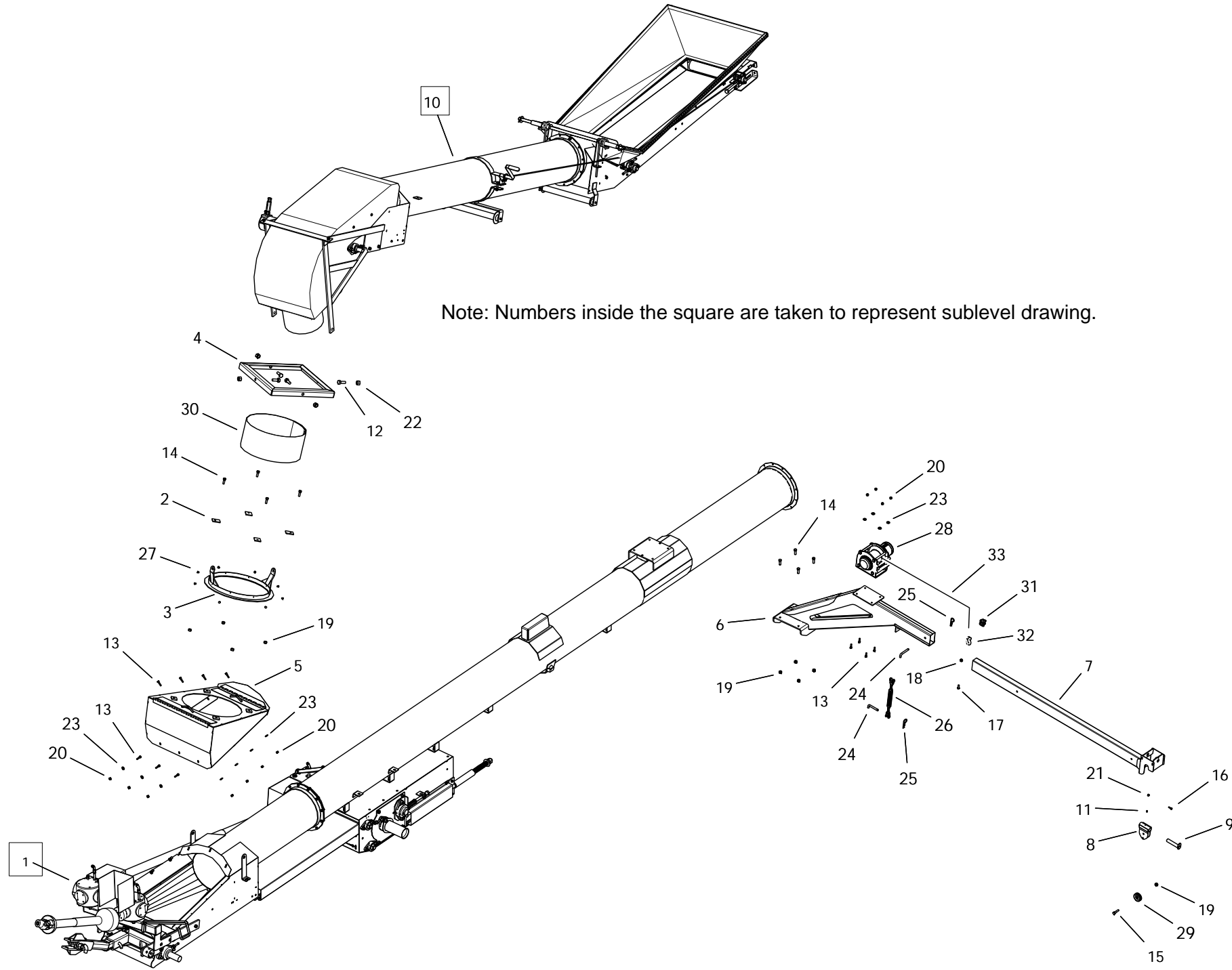
ITEM	PART NO.	DESCRIPTION
1	P0712111	CABLE CLAMP-7/8" INSULATED
2	P0141002	TEK SCREW 1/4"X1"
3	15581204	CABLE, RECEIVER-MOTOR ASSY
4	20581203	CABLE, MOTOR-MOTOR ASSY
5	20581205	CABLE, RECEIVER-BREAKER ASSY
6	P0941001	REMOTE TRANSMITTER
7	P0820401	QUICK COUPLING NIPPLE
8	P0832031	HOSE 1/2(15')-1/2MPT-1/2MPT PC
9	P0832051	HOSE 3/8(6')-1/2"MPT-1/2"MPT PC
10	P0832017	HOSE 3/8(15')-1/2"MPT-1/2"MPT PC
11	P0820001	SWIVEL-1/2"90 DEGREE
12	P0821201	TEE-SWIVEL-1/2" FEM.
13	P0821133	HEX NIPPLE-1/2"
14	15581201	RECEIVER BRACKET WELDMENT & PAINTED
15	20090083	POWER SWING BASE (DUAL MOTOR)
16	20092152	POWER SWING FILLER RING 1-7/8"
17	20581202	RECEIVER COVER WELDED & PAINTED
18	P0118030	BOLT 1/4" X 2-1/2" GR8 PLATED
19	P0118033	BOLT 1/4" X 3/4" GR8 PLATED
20	P0118013	BOLT 1/2"X1 1/2" GR.8 PLATED
21	P0118077	BOLT 7/16"X1-1/2" GRADE 8 PLATED
22	P0134023	LOCKNUT-NYLON-1/4" GR8
23	P0134007	LOCKNUT-NYLON-7/16"
24	P0134008	LOCKNUT-NYLON-1/2"
25	P0141002	TEK SCREW 1/4"X1"
26	P0152004	LOCK WASHER 1/4"PLATED
27	P0152008	LOCK WASHER 1/2"PLATED
28	P0161002	COTTER PIN 5/32X1-1/2"PLATED
29	P0351021	MACHINERY BUSHING 1"ID X 18GA
30	P0391003	KEY 1/4" X 1-1/2" LONG
31	P0610412L	TIRE-13X5.00-6 TR87-LEFT
32	P0712110	CABLE CLAMP-1 1/2" INSULATED
33	P0861016	VALVE-FLOW CONTROL 1/2
34	P0931076	GEARMOTOR 12V DC 120:1 RATIO
35	P0941011	REMOTE RECEIVER AND ANTENNA
36	P0941012	SOLENOID 12V, DC MOTOR 9824
37	P2219801	U-CLAMP -10"X2-1/2"
38	P0861035	CHECK VALVE-1/2" (NO HOLE)
39	P0820008	SWIVEL-3/8"MPTX1/2"FPT/90D
40	P0821134	NIPPLE-1/2"MPT-3/8"MPT-HEX
41	P0610412R	TIRE-13X5.00-6 TR87-RIGHT

HYDRAULIC-DUAL MOTOR POWER SWING KIT (15584435)



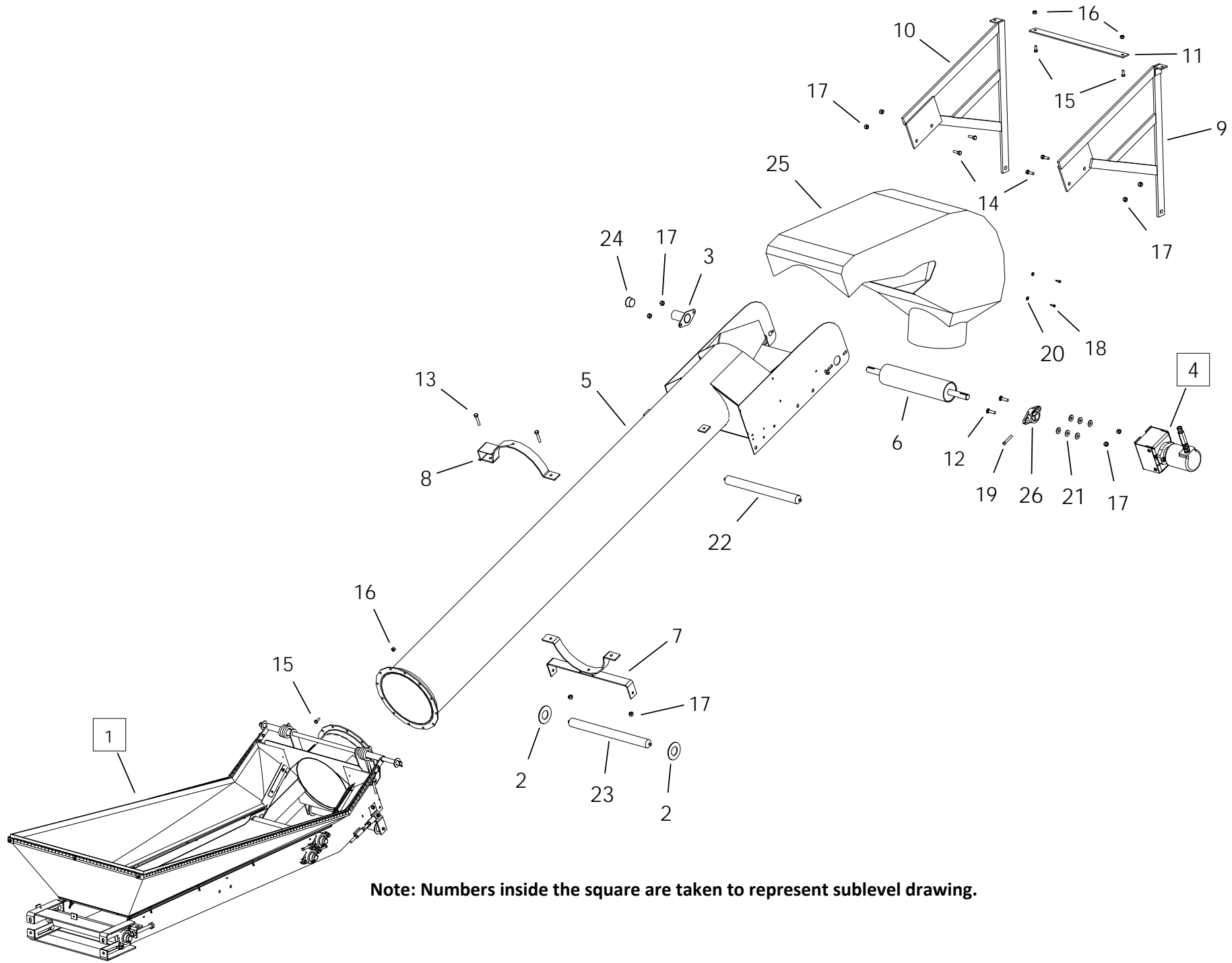
HYDRAULIC-DUAL MOTOR POWER SWING KIT (15584435)

ITEM	PART NO.	DESCRIPTION
1	P0820804	HOSE CLAMP -3/8" PLASTIC HYD
2	P0151006	FLAT WASHER 1/4"PLATED USS
3	P0141005	TEK SCREW 1/4"X2"
4	P0820401	QUICK COUPLING NIPPLE
5	P0832017	HOSE 3/8(15')-1/2"MPT-1/2"MPT PC
6	P0832051	HOSE 3/8(6')-1/2"MPT-1/2"MPT PC
7	P0832033	HOSE 3/8(14')-1/2"MPT-3/8"MPT PC
8	P0820001	SWIVEL-1/2"90 DEGREE
9	P0821114	SWIVEL-10ORB1/2"FS
10	P0821116	SWIVEL-12MORB1/2"FPT
11	P0820003	SWIVEL-10ORB1/2F90
12	P0832066	HOSE 3/8(2')-3/8MPT-3/8MPT PC
13	P0820007	SWIVEL-3/8"PT/90D
14	P0821127	SWIVEL-3/8"-STR.
15	P0861201	CUSHION BLOCK, COMPLETE
16	P0821124	SWIVEL-1/2"MPTX3/8"FPT
17	P0832031	HOSE 1/2(15')-1/2MPT-1/2MPT PC
18	15090076	VALVE BRACKET -PS DUAL
19	20090083	POWER SWING BASE (DUAL MOTOR)
20	20092151	POWER SWING FILLER RING
21	P0115205	FLANGE BOLT 3/8 X 1" PLATED
22	P0118013	BOLT 1/2"X1 1/2" GR.8 PLATED
23	P0118053	BOLT 3/8" X 3" GR8 PLATED
24	P0118061	BOLT 5/16" X 1" GR8 PLATED
25	P0118077	BOLT 7/16"X1-1/2" GRADE 8 PLATED
26	P0134007	LOCKNUT-NYLON-7/16"
27	P0134008	LOCKNUT-NYLON-1/2"
28	P0134026	LOCKNUT-NYLON-3/8" GRADE 8
29	P0151029	FLAT WASHER 1/2"PLATED USS
30	P0161002	COTTER PIN 5/32X1-1/2"PLATED
31	P0351021	MACHINERY BUSHING 1"ID X 18GA
32	P0391003	KEY 1/4" X 1-1/2" LONG
33	P0610412L	TIRE-13X5.00-6 TR87-LEFT
34	P0861015	VALVE-2 SPL-HYSPEC-1 DETENT-22GAL.
35	P2219801	U-CLAMP -10"X2-1/2"
36	P08410121	HYD MOTOR-5.9H W/EXT.SHAFT
37	P0152010	LOCK WASHER 5/16"PLATED
39	P0861035	CHECK VALVE-1/2" (NO HOLE)
40	P0821134	NIPPLE-1/2"MPT-3/8"MPT-HEX
41	P0820008	SWIVEL-3/8"MPTX1/2"FPT/90D
42	P0610412R	TIRE-13X5.00-6 TR87-RIGHT



20105 SWING AWAY (20510534)

ITEM	PART NO.	DESCRIPTION
1	20592200	PTO KIT -2050 SERIES W/PINCH
2	13092018	MOUNTING TAB
3	20090026	SWIVEL BASE
4	20090027	Swivel Top
5	20090066	Hopper Base
6	20120110	20/24105+ SWING TRANS ARM WELD
7	20120111	20/24105+ SWING TRANS ARM EXT.
8	20120112	TRANS ARM PIN SLEEVE
9	20120113	TRANS ARM PULLEY PIN
10	20584435	SWING AWAY -POWER SWING DUAL MOTOR
11	P6215-00-0614	GREASE ZERK 1/4"UNF STR
12	P0115111	BOLT 3/4" X 2" GR8 PLATED
13	P0115113	BOLT 3/8" X 1-1/2" GR8 PLATED
14	P0118013	BOLT 1/2"X1 1/2" GR.8 PLATED
15	P0118016	BOLT 1/2" X 2" GR8 PLATED
16	P0118061	BOLT 5/16" X 1" GR8 PLATED
17	P0118076	BOLT 7/16"X1" GRADE 8 PLATED
18	P0134007	LOCKNUT-NYLON-7/16"
19	P0134008	LOCKNUT-NYLON-1/2"
20	P0134026	LOCKNUT-NYLON-3/8" GRADE 8
21	P0134027	LOCKNUT-NYLON-5/16" GRADE 8
22	P0134029	LOCKNUT-NYLON-3/4" GRADE 8
23	P0151009	FLAT WASHER 3/8"PLATED USS
24	P0162001	HITCH PIN 1/2" X 3" PLATED
25	P0163001	HAIR PIN 3/16" X 3-1/4"
26	P0182101	TURNBUCKLE 5/8" X 6"STUB
27	P0186001	RIVET-STEEL BODY 3/16" X 1/2"
28	P0217634B	HYDRAULIC WINCH KIT
29	P2210714	CABLE SHEAVE 2-3/4"OD W/ BRASS
30	P11209010	SWING BELT SHEILD (rev1)
31	P0712105	CABLE CLAMP-5/16" GALV.
32	P0712301	Grab Hook
33	P0711118	CABLE-5/16" (26')

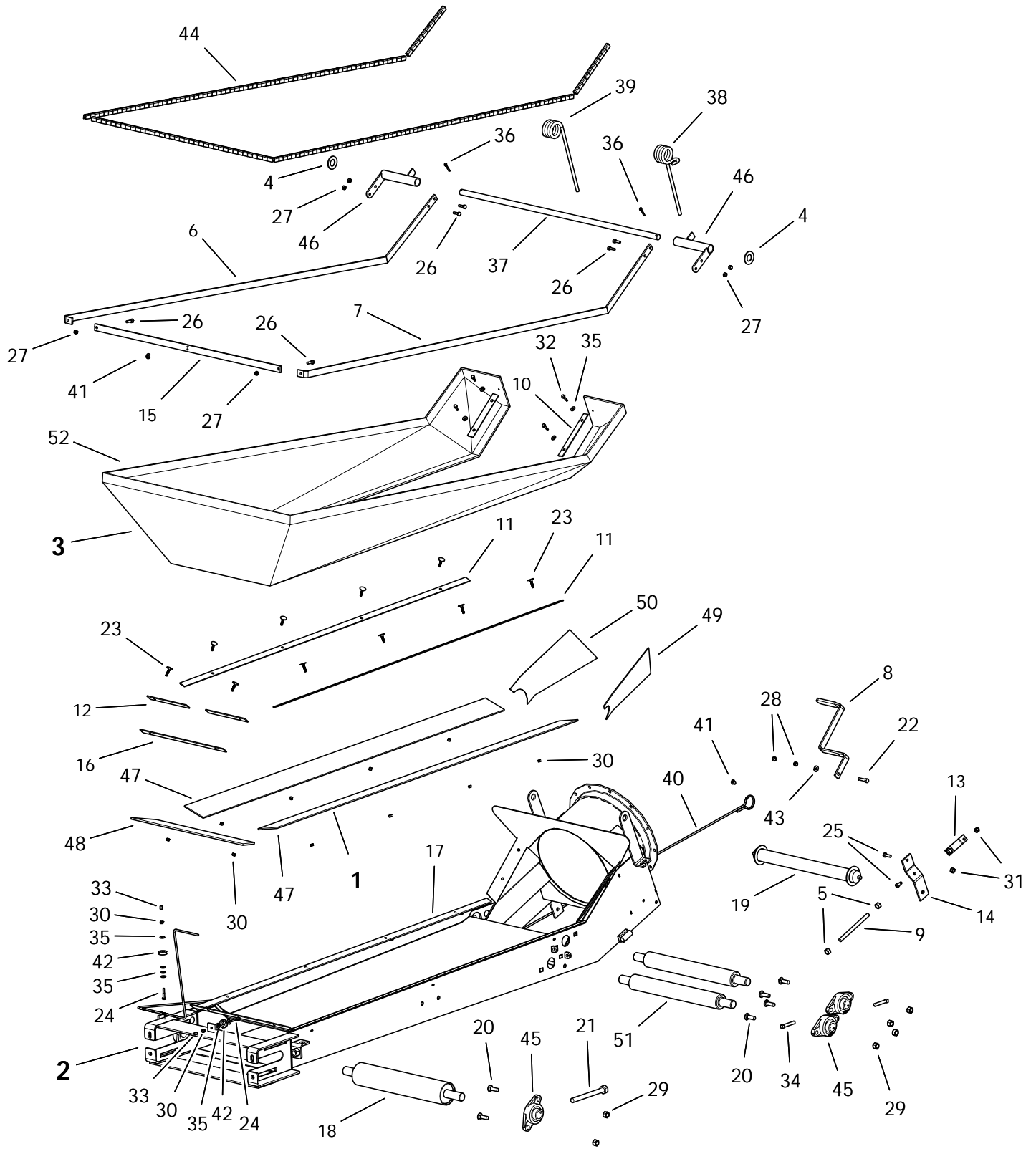


Note: Numbers inside the square are taken to represent sublevel drawing.

FX SWING AWAY -TRANSFER ASSEMBLY (20000420)

ITEM	PART NO.	DESCRIPTION
1	18000323	HOPPER TYPE -SWING TRANS 2' EXT
2	P0151003	WASHER FLAT 1-15/16"HOLE BARE USS
3	13041038	SHAFT GUARD(FL-206)
4	18000281	HYDRAULIC DRIVE KIT FOR 1814LP & TD
5	18020003	1800 10' Spout
6	18070007	TRANSFER SPOUT ROLLER
7	20010017	GUIDING RETURN ROLLER BRACKET
8	20010029	SA COLLAPS HANDLE MOUNT
9	20090007	Transfer Support Brace-LH
10	20090008	Transfer Support Brace-RH
11	20092008	Support Brace Spacer
12	P0113004	CARRIAGE BOLT 1/2"X1-1/2"PLATED
13	P0114005	TAP BOLT 1/2 X 2-1/2 GR.8 PLATED
14	P0118013	BOLT 1/2"X1 1/2" GR.8 PLATED
15	P0118076	BOLT 7/16"X1" GRADE 8 PLATED
16	P0134007	LOCKNUT-NYLON-7/16"
17	P0134008	LOCKNUT-NYLON-1/2"
18	P0141002	TEK SCREW 1/4"X1"
19	P0145004	SET SCREW-7/16"X1-1/2"SQ.HD.PLATED
20	P0151006	FLAT WASHER 1/4"PLATED USS
21	P0151029	FLAT WASHER 1/2"PLATED USS
22	P1021003	ROLLER HEX 21"
23	P1021004	ROLLER HEX 22-3/4"
24	P1210032	FL-206 SHAFT GUARD PLUG
25	P1211801	HOOD-LARGE ROUND 18 SERIES
26	P1711002	FLANGE UNIT-1-1/4"-SAFL206-20

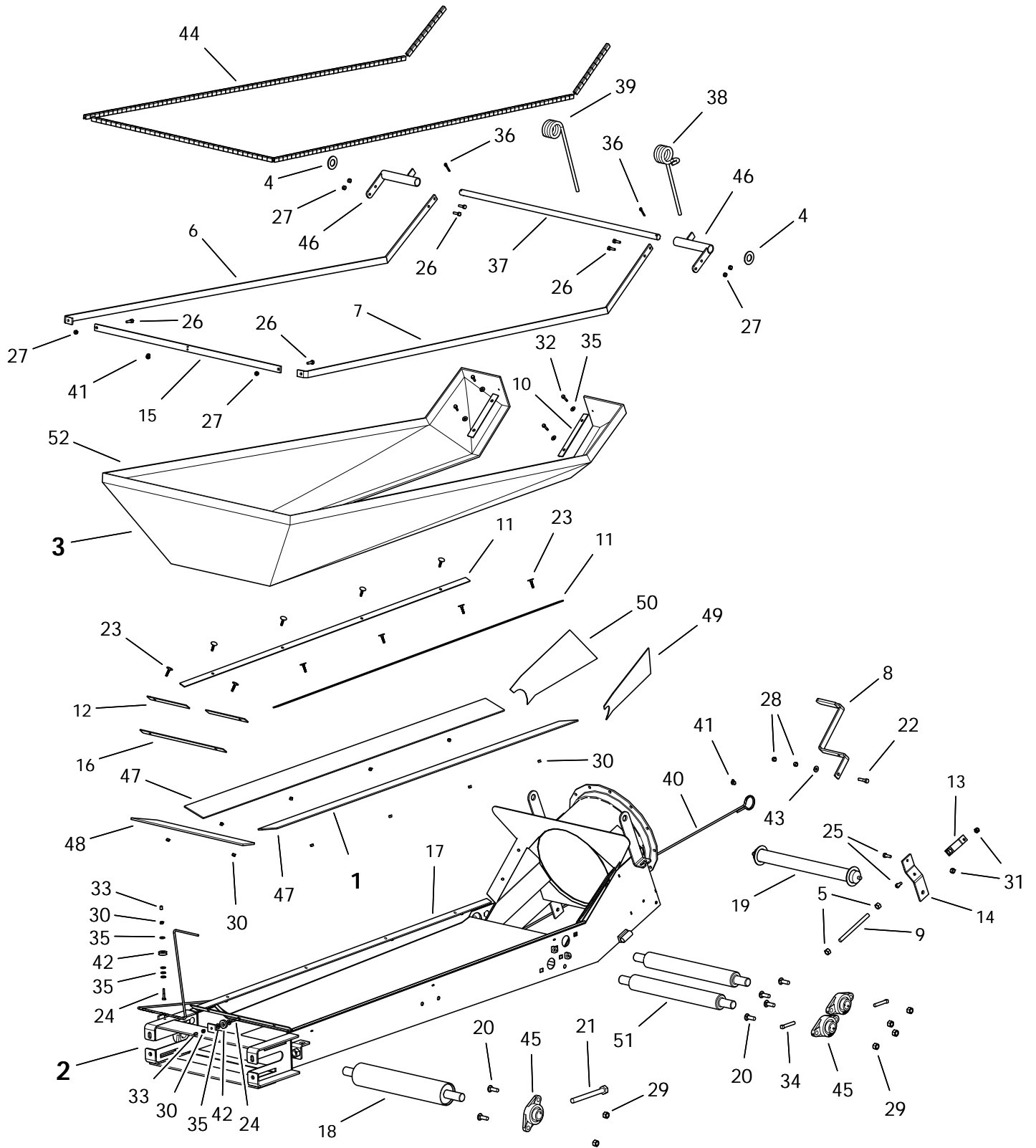
FX HOPPER (18000323)



FX HOPPER (18000323)

ITEM	PART NO.	DESCRIPTION
1	20555900	HOPPER -FLASHING ONLY STD
2	20555500	HOPPER RLLR KIT
3	1800030324	HOPPER -COLLAPSABLE SWING
4	P0151031	FLAT WASHER 1"PLATED USS
5	P2219602	HEX NUT 1/2"
6	13100001E24	
7	13100002E24	
8	13100008	HOPPER HANDLE
9	13102055	TAB ADJUSTER ROD-1/2" X 7"
10	13102059	LOWER CLOTH FRAME TR TRNSITION (13)
11	13102060E24	
12	13102061	LOWER CLOTH FRAME TR BACK (1314)
13	18100012	ADJUSTMENT LINK LEFT
14	18102021	BENT ADJUSTMENT ARM LEFT
15	18102035	UPPPER CLOTH FRAME TR FRONT
16	18102036	LOWER CLOTH FRAME TR FRONT
17	20020501	HOPPER
18	25070002	PITSTOP TAKE-UP ROLLER
19	25070004	PITSTOP GUIDING RETURN ROLLER
20	P0113004	CARRIAGE BOLT 1/2"X1-1/2"PLATED
21	P0114007	TAP BOLT 3/4 X 7 PLATED
22	P0115113	BOLT 3/8" X 1-1/2" GR8 PLATED
23	P0116001	ELEVATOR BOLT 1/4"X1-1/4"
24	P0118026	BOLT 1/4" X 1-1/2" GR8 PLATED
25	P0118046	BOLT 3/8" X 1" GR8 PLATED
26	P0118061	BOLT 5/16" X 1" GR8 PLATED
27	P0131017	NUT 5/16" PLATED GRADE 8
28	P0131018	NUT 3/8" PLATED GRADE 8
29	P0134008	LOCKNUT-NYLON-1/2"
30	P0134023	LOCKNUT-NYLON-1/4" GR8
31	P0134026	LOCKNUT-NYLON-3/8" GRADE 8
32	P0141002	TEK SCREW 1/4"X1"
33	P0145001	VINYL SCREW CAP
34	P0145002	SET SCREW-7/16"X2-1/2"SQ.HD.
35	P0151006	FLAT WASHER 1/4"PLATED USS
36	P0161003	COTTER PIN 3/16"X1-1/2"PLATED
37	P0162008	HOPPER PIVOT SHAFT-20/24 (rev1)
38	P0521005	HOPPER SPRING-L-.437
39	P0521006	HOPPER SPRING-R-.437
40	P0711101	CABLE 1/8" 7 X 19 GAC
41	P0712104	CABLE CLAMP-1/8" GALV.
42	P0713104	CABLE SHEAVE-1-1/4" W/BEARING
43	P1210010	Washer Nylon 3/8 USS
44	P1641015	TRIM LOCK
45	P1711002	FLANGE UNIT-1-1/4"-SAFL206-20
46	P2513012	PIVOT SHAFT BRACKET TRADITIONAL

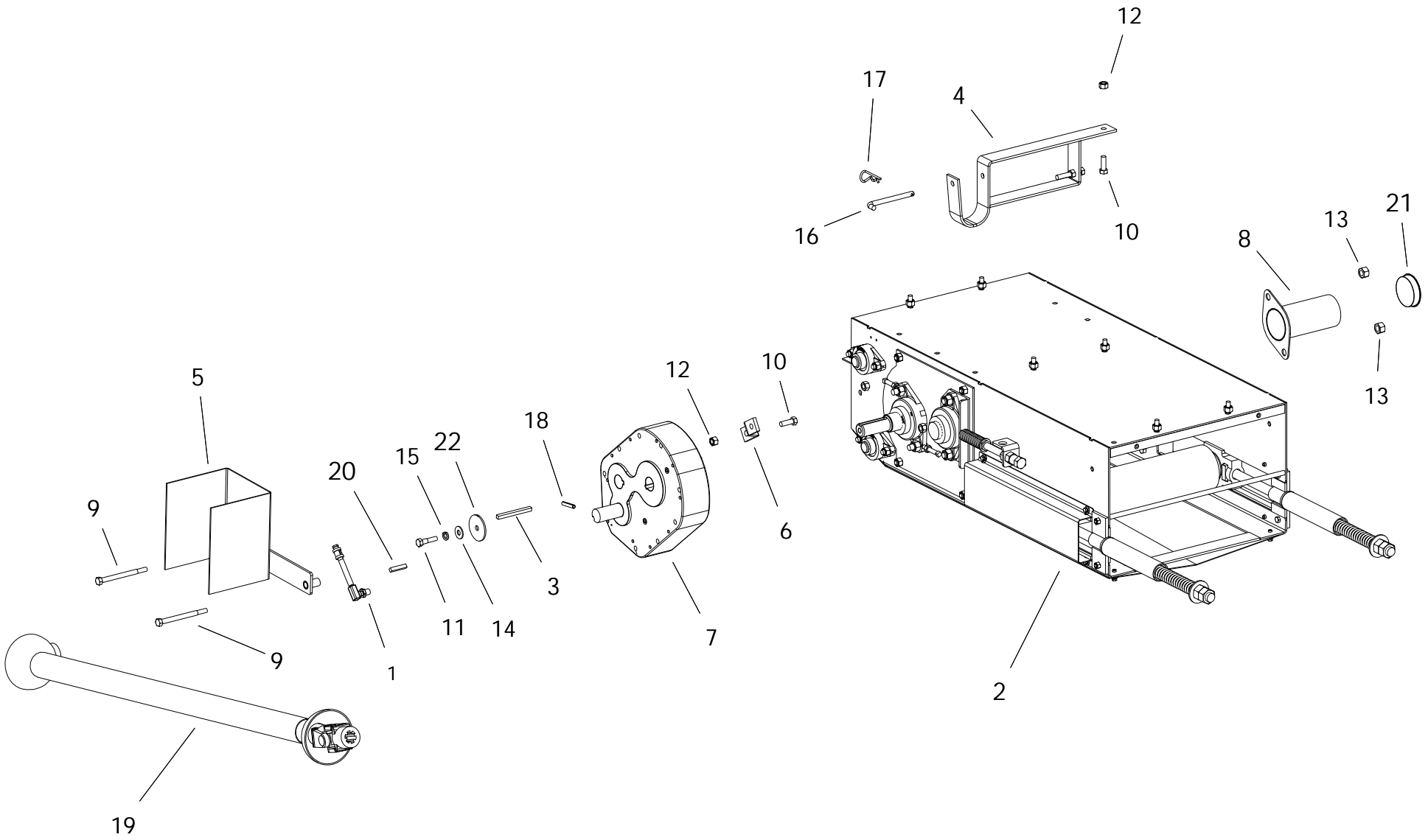
FX HOPPER (18000323)



FX HOPPER (18000323)

ITEM	PART NO.	DESCRIPTION
47	P11139008	HOPPER SIDE FLASHING FL E24
48	P11189005	1814 Front Flashing
49	P11189006	HOPPER TRANSITION LEFT 18S FL
50	P11189007	HOPPER TRANSITION RIGHT 18S FL
51	P20325001	PITSTOP TRANSITION ROLLER
52	P162100224	HOPPER CANVAS-18 TRANS.EXT.2'

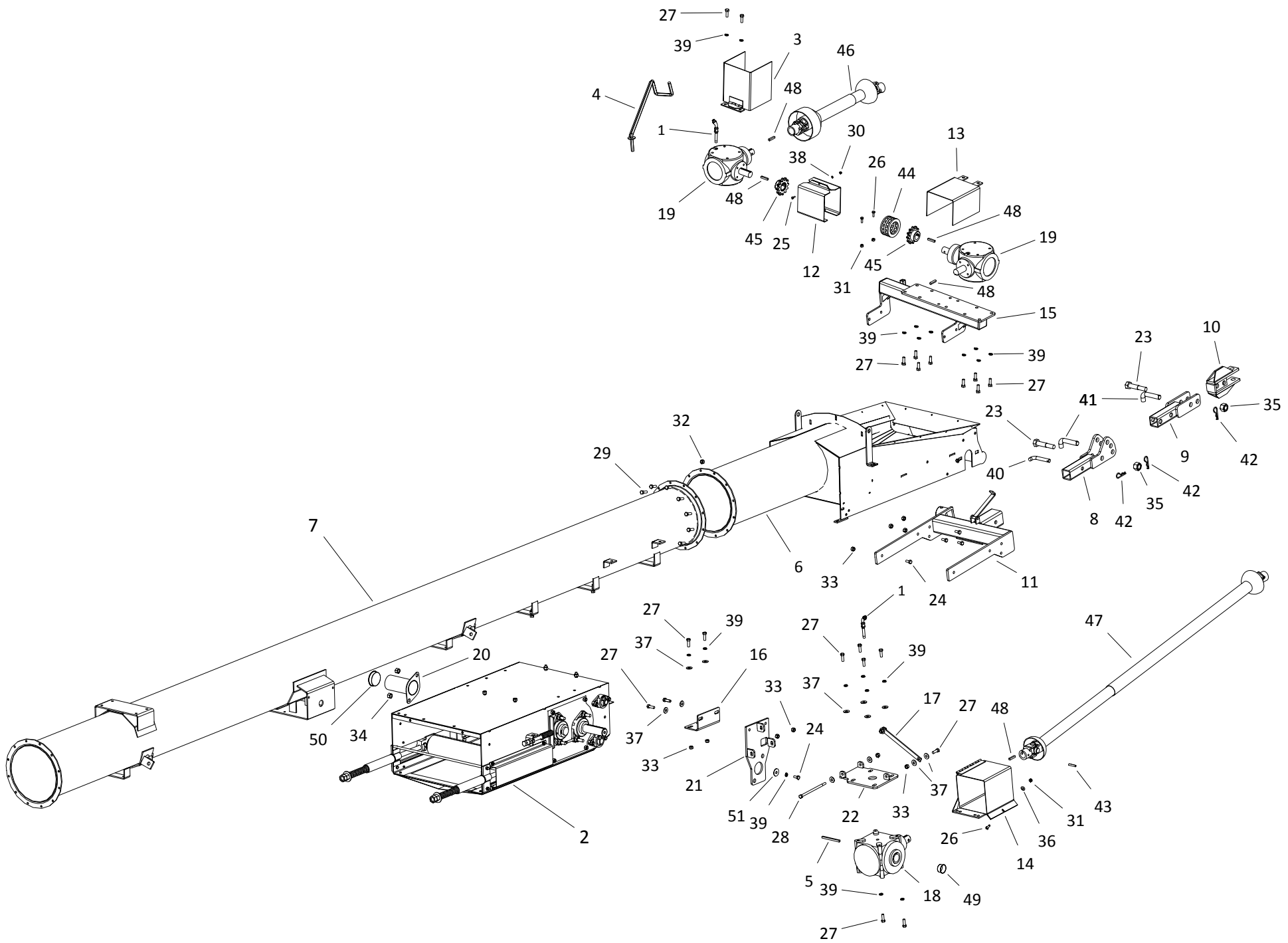
SIDE PTO GEARBOX DRIVE KIT (20592200)



SIDE PTO GEARBOX DRIVE KIT (20592200)

ITEM	PART NO.	DESCRIPTION
	20592200	PTO KIT -2050 SERIES W/PINCH
1	01010001	BREATHER -M590 GB
2	20590020	S-DRIVE ASM W/PINCH
3	13202114	KEY 3/8" X 4-3/8" LONG
4	20040009	PTO CRADLE EXTENDED
5	20040017	PTO GUARD M590 MOUNT
6	20062178	GEARBOX STABILIZER
7	20591003	GBOX PAR 2:1 CW/CW 1-1/2 M590 W/OIL
8	24041038	SHAFT GUARD(FL-210)
9	P0118023	BOLT 1/2" X 6" GR8 PLATED
10	P0118013	BOLT 1/2"X1 1/2" GR.8 PLATED
11	P0118016	BOLT 1/2" X 2" GR8 PLATED
12	P0134008	LOCKNUT-NYLON-1/2"
13	P0134010	LOCKNUT-NYLON-5/8"
14	P0151029	FLAT WASHER 1/2"PLATED USS
15	P0152008	LOCK WASHER 1/2"PLATED
16	P0162004	HITCH PIN 1/2" X 5" PLATED
17	P0163001	HAIR PIN 3/16" X 3-1/4"
18	P0167002	SPRING PIN 3/8" X 2"
19	P0381010	PTO SHAFT-1-1/2"X75" (HEAVY)
20	P0391002	KEY 3/8" X 2" LONG
21	P1210033	501 SHAFT GUARD PLUG
22	P11130185	AXLE END CAP
23	P1511004	SAFETY MANUAL-PTO SHAFT (NOT SHOWN)

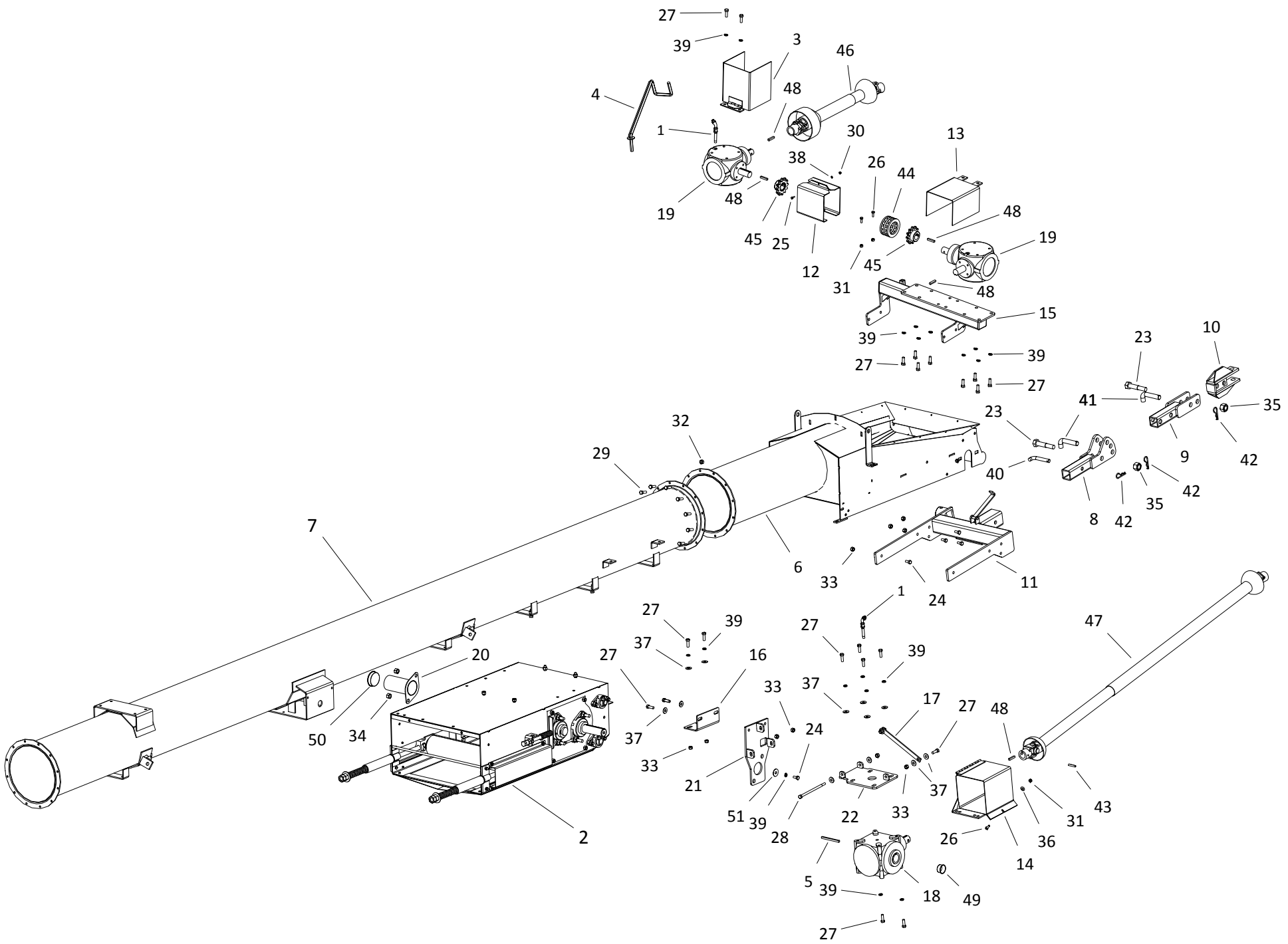
FRONT DRIVE PTO KIT 20 SERIES (20592230)



FRONT DRIVE PTO KIT 20 SERIES (20592230)

ITEM	PART NO.	DESCRIPTION
1	01010002	BREATHER -SWING AWAY
2	24590020	S-DRIVE ASM W/PINCH
3	13040011	PTO GUARD SWING
4	13090019	SWING PTO CRADLE
5	13202124	KEY 3/8" X 5.25" LONG
6	20020501	HOPPER
7	20020507	CENTER 20' -LOWER SUSP BRKT
8	20030004	20 SWING ADJUSTABLE TONGUE
9	20030005	20 ADJUSTABLE CLEVIS
10	20030017	CLEVIS
11	20030046	HITCH
12	20040004	SWING S-DRIVE COUPLING GUARD (HALF)
13	20040006	5190 GEARBOX GUARD
14	20040008	GUARD 6190GB FLIP-UP
15	20090067	Gearbox Mount Platform
16	20090071	GEARBOX MOUNT ANGLE BRKT
17	20092097	SWING 6190 GBOX SIDE MT (LINK ARM)
18	20591001	GBOX 90 1.85:1 1-15/16 6190 W/OIL
19	20591002	GBOX 90 1:1 CW/CW 1-1/2 5190 W/OIL
20	24041038	SHAFT GUARD(FL-210)
21	200900701	SWING 6190 GBOX SIDE MT (SD)
22	200900702	SWING 6190 GBOX SIDE MT (GBOX)
23	P0118008	BOLT 1" X 5" GR8 PLATED
24	P0118012	BOLT 1/2" X 1" GR8 PLATED
25	P0118033	BOLT 1/4" X 3/4" GR8 PLATED
26	P0118046	BOLT 3/8" X 1" GR8 PLATED
27	P0118013	BOLT 1/2"X1 1/2" GR.8 PLATED
28	P0118025	BOLT 1/2" X 9" GR8 PLATED
29	P0118077	BOLT 7/16"X1-1/2" GRADE 8 PLATED
30	P0134023	LOCKNUT-NYLON-1/4" GR8
31	P0134026	LOCKNUT-NYLON-3/8" GRADE 8
32	P0134007	LOCKNUT-NYLON-7/16"
33	P0134008	LOCKNUT-NYLON-1/2"
34	P01340101	LOCKNUT-NYLON-5/8" GRADE 8
35	P0134030	LOCKNUT-NYLON-1" GRADE 8
36	P0151009	FLAT WASHER 3/8"PLATED USS
37	P0151029	FLAT WASHER 1/2"PLATED USS
38	P0152004	LOCK WASHER 1/4"PLATED
39	P0152008	LOCK WASHER 1/2"PLATED
40	P0162002	Pin Hitch 3/4 x 3 1/2
41	P0162003	HITCH PIN 1" X 3-1/2" PLATED
42	P0163001	HAIR PIN 3/16" X 3-1/4"
43	P0167004	SPRING PIN 3/8"X3"
44	P0311003	CHAIN FOR DRIVE(80-2RX12+CL)
45	P0338122	SPROCKET-H80B12 X 1-1/2
46	P0381002	CV SHAFT-2000 SERIES

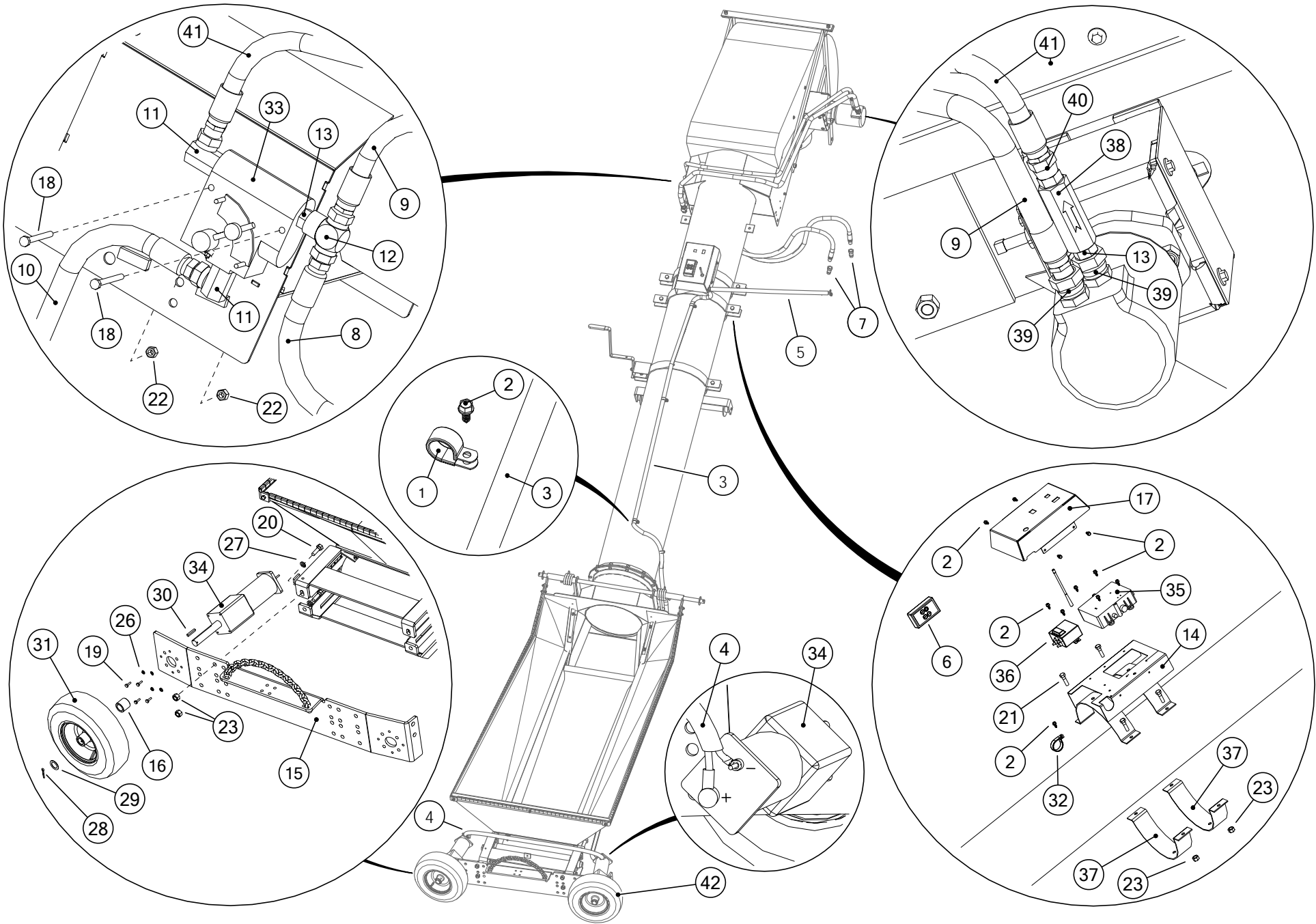
FRONT DRIVE PTO KIT 20 SERIES (20592230)



FRONT DRIVE PTO KIT 20 SERIES (20592230)

ITEM	PART NO.	DESCRIPTION
47	P0381028	PTO SHAFT-1-1/2" BOTH ENDS-105"-35
48	P0391002	KEY 3/8" X 2" LONG
49	P1210025	GEARBOX PLUG 2"
50	P1210033	501 SHAFT GUARD PLUG
51	P11240130	KEY RETAINER

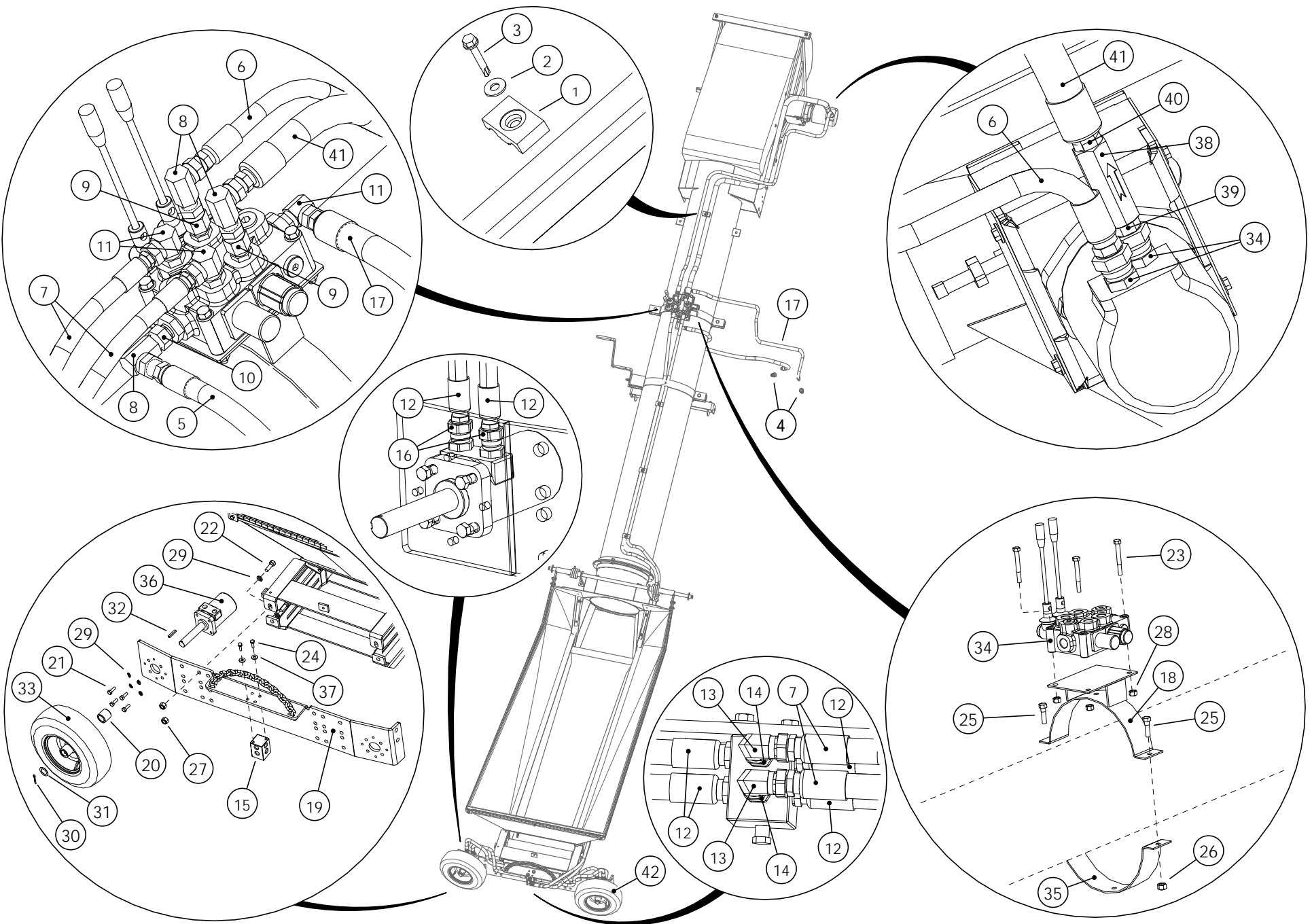
ELECTRIC-REMOTE POWER SWING KIT (20584440)



ELECTRIC-REMOTE POWER SWING KIT (20584440)

ITEM	PART NO.	DESCRIPTION
1	P0712111	CABLE CLAMP-7/8" INSULATED
2	P0141002	TEK SCREW 1/4"X1"
3	20581204	CABLE, RECEIVER-MOTOR ASSY
4	20581203	CABLE, MOTOR-MOTOR ASSY
5	20581205	CABLE, RECEIVER-BREAKER ASSY
6	P0941001	REMOTE TRANSMITTER
7	P0820401	QUICK COUPLING NIPPLE
8	P0832062	HOSE 3/4(6')-1/2"MPT-1/2"MPT PC
9	P0832059	HOSE 1/2(6')-1/2"MPT-1/2"MPT PC
10	P0832031	HOSE 1/2(15')-1/2MPT-1/2MPT PC
11	P0820001	SWIVEL-1/2"90 DEGREE
12	P0821201	TEE-SWIVEL-1/2" FEM.
13	P0821133	HEX NIPPLE-1/2"
14	20581201	RECEIVER BRACKET WELDMENT & PAINTED
15	20090083	POWER SWING BASE (DUAL MOTOR)
16	20092152	POWER SWING FILLER RING 1-7/8"
17	20581202	RECEIVER COVER WELDED & PAINTED
18	P0118030	BOLT 1/4" X 2-1/2" GR8 PLATED
19	P0118033	BOLT 1/4" X 3/4" GR8 PLATED
20	P0118013	BOLT 1/2"X1 1/2" GR.8 PLATED
21	P0118017	BOLT 1/2"X2-1/2"GRADE 8 PLATED
22	P0134023	LOCKNUT-NYLON-1/4" GR8
23	P0134008	LOCKNUT-NYLON-1/2"
26	P0152004	LOCK WASHER 1/4"PLATED
27	P0152008	LOCK WASHER 1/2"PLATED
28	P0161002	COTTER PIN 5/32X1-1/2"PLATED
29	P0351021	MACHINERY BUSHING 1"ID X 18GA
30	P0391003	KEY 1/4" X 1-1/2" LONG
31	P0610412L	TIRE-13X5.00-6 TR87-LEFT
32	P0712110	CABLE CLAMP-1 1/2" INSULATED
33	P0861016	VALVE-FLOW CONTROL 1/2
34	P0931076	GEARMOTOR 12V DC 120:1 RATIO
35	P0941011	REMOTE RECEIVER AND ANTENNA
36	P0941012	SOLENOID 12V, DC MOTOR 9824
37	P2518202	2" U-CLAMP
38	P0861035	CHECK VALVE-1/2" (NO HOLE)
39	P0821105	ADPT-10MORBX1/2"FPT
40	P0821112	SWIVEL-1/2" STRAIGHT
41	P0832062	HOSE 3/4(6')-1/2"MPT-1/2"MPT PC
42	P0610412R	TIRE-13X5.00-6 TR87-RIGHT

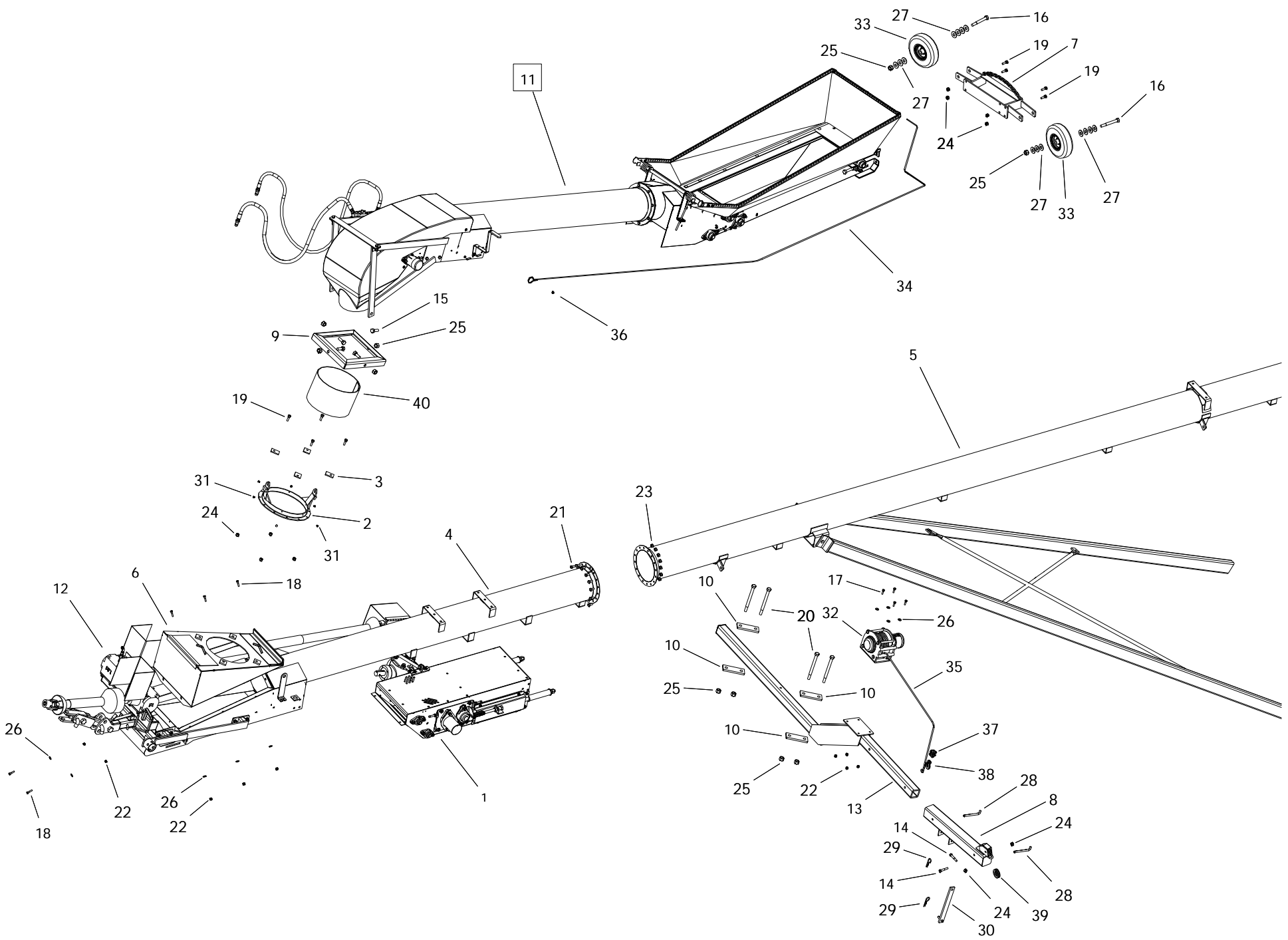
HYDRAULIC-DUAL MOTOR POWER SWING KIT (20584435)



HYDRAULIC-DUAL MOTOR POWER SWING KIT (20584435)

ITEM	PART NO.	DESCRIPTION
1	P0820804	HOSE CLAMP -3/8" PLASTIC HYD
2	P0151006	FLAT WASHER 1/4"PLATED USS
3	P0141005	TEK SCREW 1/4"X2"
4	P0820401	QUICK COUPLING NIPPLE
6	P0832059	HOSE 1/2(6')-1/2"MPT-1/2"MPT PC
7	P0832032	HOSE 3/8(17')-1/2"MPT-3/8"MPT PC
8	P0820001	SWIVEL-1/2"90 DEGREE
9	P0821114	SWIVEL-10ORBX1/2"FS
10	P0821116	SWIVEL-12MORBX1/2"FPT
11	P0820003	SWIVEL-10ORBX1/2F90
12	P0832066	HOSE 3/8(2')-3/8MPT-3/8MPT PC
13	P0820007	SWIVEL-3/8"PT/90D
14	P0821127	SWIVEL-3/8"-STR.
15	P0861201	CUSHION BLOCK, COMPLETE
16	P0821124	SWIVEL-1/2"MPTX3/8"FPT
18	15090076	VALVE BRACKET -PS DUAL
19	20090083	POWER SWING BASE (DUAL MOTOR)
20	20092151	POWER SWING FILLER RING
21	P0115205	FLANGE BOLT 3/8 X 1" PLATED
22	P0118013	BOLT 1/2"X1 1/2" GR.8 PLATED
23	P0118053	BOLT 3/8" X 3" GR8 PLATED
24	P0118061	BOLT 5/16" X 1" GR8 PLATED
25	P0118077	BOLT 7/16"X1-1/2" GRADE 8 PLATED
26	P0134007	LOCKNUT-NYLON-7/16"
27	P0134008	LOCKNUT-NYLON-1/2"
28	P0134026	LOCKNUT-NYLON-3/8" GRADE 8
29	P0152008	LOCK WASHER 1/2"PLATED
30	P0161002	COTTER PIN 5/32X1-1/2"PLATED
31	P0351021	MACHINERY BUSHING 1"ID X 18GA
32	P0391003	KEY 1/4" X 1-1/2" LONG
33	P0610412L	TIRE-13X5.00-6 TR87-LEFT
34	P0861015	VALVE-2 SPL-HYSPEC-1 DETENT-22GAL.
35	P2219801	U-CLAMP -10"X2-1/2"
36	P08410121	HYD MOTOR-5.9H W/EXT.SHAFT
38	P0861035	CHECK VALVE-1/2" (NO HOLE)
39	P0821133	HEX NIPPLE-1/2"
40	P0821112	SWIVEL-1/2" STRAIGHT
41	P0832062	HOSE 3/4(6')-1/2"MPT-1/2"MPT PC
42	P0610412R	TIRE-13X5.00-6 TR87-RIGHT

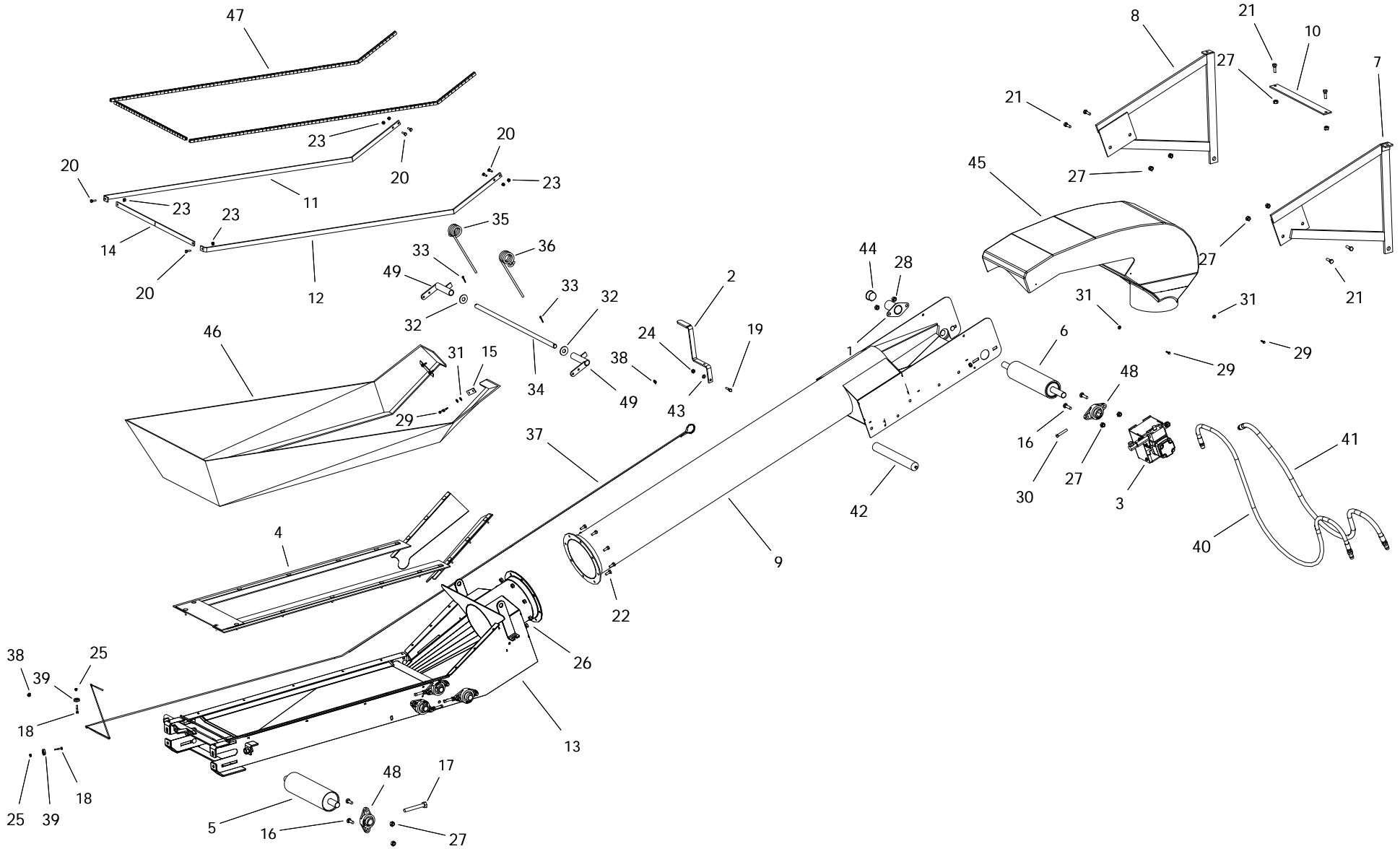
1500 SERIES-15584000 (65' to 90')



1500 SERIES-15584000 (65' to 90')

ITEM	PART NO.	DESCRIPTION
1	15590020	S-DRIVE ASM W/PINCH
2	13090026	SWIVEL BASE
3	13092018	MOUNTING TAB
4	15020040	BT HOPPER SECTION 10' WITH SD BKTS
5	15020051	BOTTOM TUBE WITH ANCHORS
6	15090009	SWING HOPPER BASE
7	15090013	SWING TRANSFER WHEELS
8	15090017	TRANSPORT ADJUSTMENT ARM
9	15090027	SWING SWIVEL TOP
10	15092039	TRANSPORT ARM MOUNT PLATE
11	15584200	SWING AWAY -TRANS ASM HYD
12	15592230	FRONT DRIVE PTO KIT 15 SERIES
13	24090023	15/20/24 TRANSPORT ARM OFFSET
14	P0118018	BOLT 1/2" X 3" GR8 PLATED
15	P0115111	BOLT 3/4" X 2" GR8 PLATED
16	P0118044	BOLT 3/4" X 6" GR8 PLATED
17	P0115045	BOLT 3/8" X 1-1/4" GR5 PLATED
18	P0115113	BOLT 3/8" X 1-1/2" GR8 PLATED
19	P0118013	BOLT 1/2"X1 1/2" GR.8 PLATED
20	P0118048	Bolt Hex GR8 3/4 x 9
21	P0118076	BOLT 7/16"X1" GRADE 8 PLATED
22	P0134026	LOCKNUT-NYLON-3/8" GRADE 8
23	P0134007	LOCKNUT-NYLON-7/16"
24	P0134008	LOCKNUT-NYLON-1/2"
25	P0134029	LOCKNUT-NYLON-3/4" GRADE 8
26	P0151009	FLAT WASHER 3/8"PLATED USS
27	P0151015	FLAT WASHER 3/4"PLATED USS
28	P0162004	HITCH PIN 1/2" X 5" PLATED
29	P0163001	HAIR PIN 3/16" X 3-1/4"
30	P0182101	TURNBUCKLE 5/8" X 6"STUB
31	P0186001	RIVET-STEEL BODY 3/16" X 1/2"
32	P0217634B	HYDRAULIC WINCH KIT
33	P0610407	TIRE-410/350X4 W/3/4" HUB
34	P0711101	CABLE 1/8" 7 X 19 GAC
35	P0711118	CABLE-5/16" (26')
36	P0712104	CABLE CLAMP-1/8" GALV.
37	P0712105	CABLE CLAMP-5/16" GALV.
38	P0712301	Grab Hook
39	P2210713	CABLE SHEAVE 2-3/4"OD
40	P11139010	SWING BELT SHEILD
41	15000717	1500 SA TRANSFER OLD 34' 6"

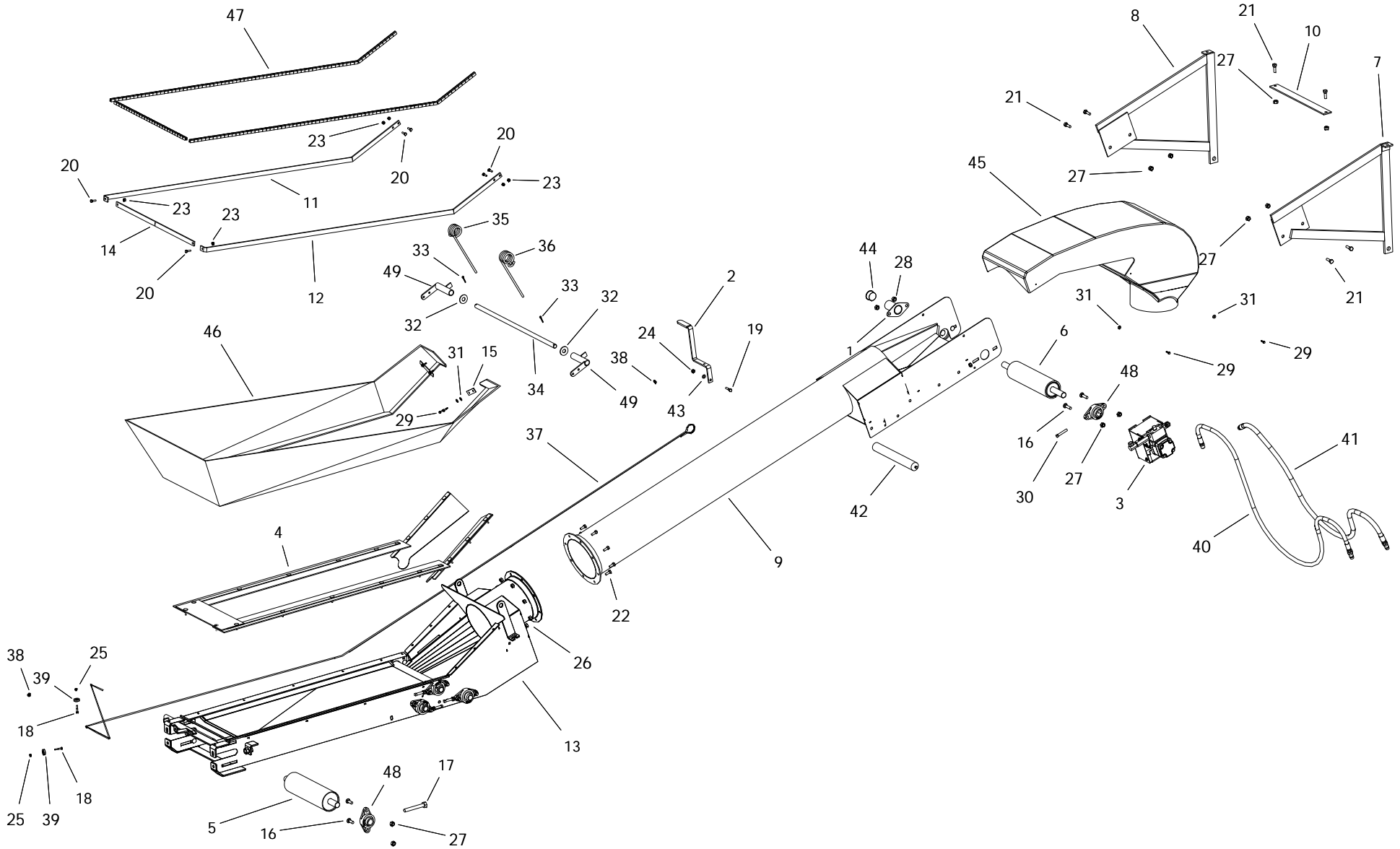
SWING AWAY TRANSFER ASSEMBLY (15584200)



SWING AWAY TRANSFER ASSEMBLY (15584200)

ITEM	PART NO.	DESCRIPTION
1	13041038	SHAFT GUARD(FL-206)
2	13100008	HOPPER HANDLE
3	15000281	1515LP HYDRAULIC DRIVE KIT
5	15070012	TAKE-UP ROLLER-1-1/4" LAGGED
6	15070013	SPOUT DRIVE ROLLER-1-1/4" LAGGED
7	15090007	Transfer Support Brace (RH)
8	15090008	TRANSFER SUPPORT BRACE-LH
9	15090012	7' Swing Spout
10	15092044	SUPPORT BRACE SPACER
11	15100001	UPPER CLOTH FRAME TR RIGHT
12	15100002	UPPER CLOTH FRAME TR LEFT
13	15100010	1515 Bottom
14	15102018	UPPER CLOTH FRAME TR FRONT
15	15102061	LOWER CLOTH FRAME TR BACK
16	P0113001	CARRIAGE BOLT 1/2"X2" PLATED
17	P0114007	TAP BOLT 3/4 X 7 PLATED
18	P0118026	BOLT 1/4" X 1-1/2" GR8 PLATED
19	P0115113	BOLT 3/8" X 1-1/2" GR8 PLATED
20	P0118061	BOLT 5/16" X 1" GR8 PLATED
21	P0118013	BOLT 1/2"X1 1/2" GR.8 PLATED
22	P0118076	BOLT 7/16"X1" GRADE 8 PLATED
23	P0131017	NUT 5/16" PLATED GRADE 8
24	P0131018	NUT 3/8" PLATED GRADE 8
25	P0134023	LOCKNUT-NYLON-1/4" GR8
26	P0134007	LOCKNUT-NYLON-7/16"
27	P0134008	LOCKNUT-NYLON-1/2"
28	P01340101	LOCKNUT-NYLON-5/8" GRADE 8
29	P0141002	TEK SCREW 1/4"X1"
30	P0145002	SET SCREW-7/16"X2-1/2"SQ.HD.
31	P0151006	FLAT WASHER 1/4"PLATED USS
32	P0151015	FLAT WASHER 3/4"PLATED USS
33	P0161003	COTTER PIN 3/16"X1-1/2"PLATED
34	P0162007	HOPPER PIVOT SHAFT-13/15
35	P0521001	HOPPER SPRING-L
36	P0521002	HOPPER SPRING-R
37	P0711101	CABLE 1/8" 7 X 19 GAC
38	P0712104	CABLE CLAMP-1/8" GALV.
39	P0713104	CABLE SHEAVE-1-1/4" W/BEARING
40	P0832017	HOSE 3/8(15')-1/2"MPT-1/2"MPT PC
41	P0832031	HOSE 1/2(15')-1/2MPT-1/2MPT PC
42	P1021006	ROLLER HEX 15-7/8"
43	P1210010	Washer Nylon 3/8 USS
44	P1210033	501 SHAFT GUARD PLUG
45	P1211501	HOOD-ROUND 15 SERIES (KANBAN)
46	P1621010	HOPPER CANVAS 1515LP
47	P1641015	TRIM LOCK

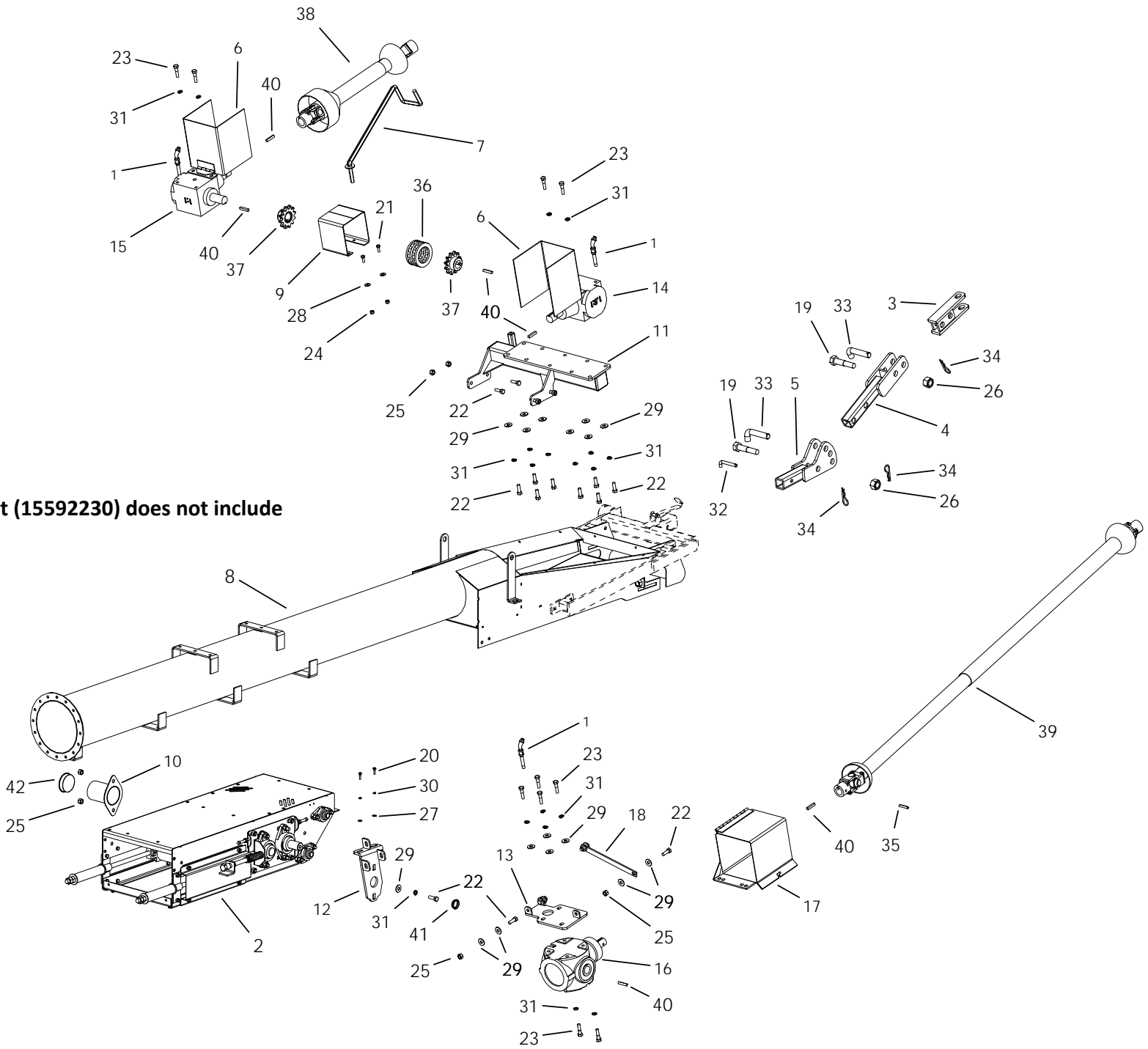
SWING AWAY TRANSFER ASSEMBLY (15584200)



SWING AWAY TRANSFER ASSEMBLY (15584200)

ITEM	PART NO.	DESCRIPTION
48	P1711002	FLANGE UNIT-1-1/4"-SAFL206-20
49	P2515017	PIVOT SHAFT BRACKET

FRONT DRIVE PTO KIT 15 SERIES (15592230)



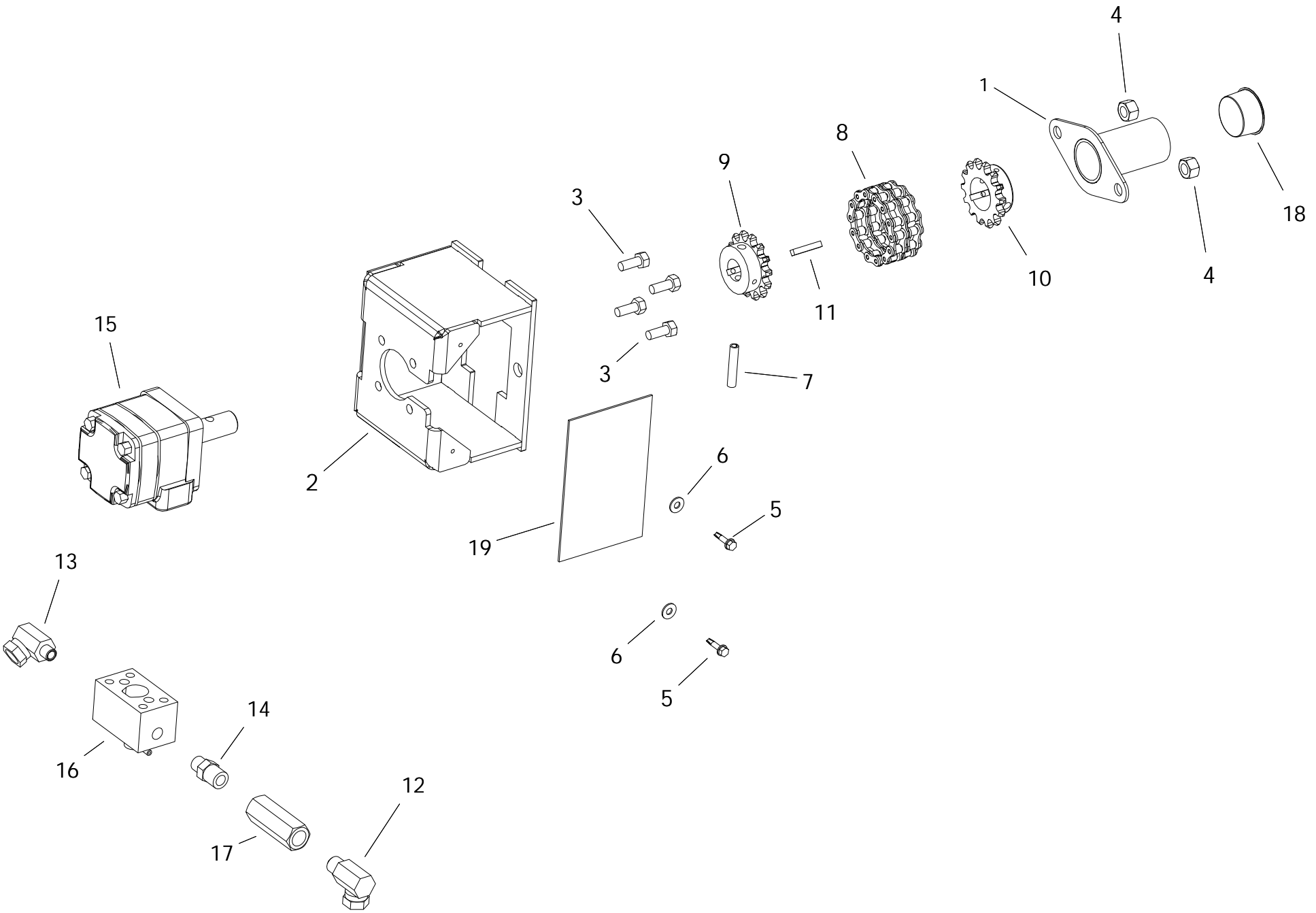
Note: Front PTO Kit (15592230) does not include item # 2, 8

FRONT DRIVE PTO KIT 15 SERIES (15592230)

ITEM	PART NO.	DESCRIPTION
1	01010002	BREATHER -SWING AWAY
2	15590020	S-DRIVE ASM W/PINCH
3	13030017	CLEVIS
4	13030064	13/15 ADJUSTABLE CLEVIS
5	13030065	15 SWING ADJUSTABLE TONGUE
6	13040011	PTO GUARD SWING
7	13090019	SWING PTO CRADLE
8	15020040	BT HOPPER SECTION 10' WITH SD BKTS
9	15040009	COUPLING GUARD
10	15041038	SHAFT GUARD(FL-208)
11	15090067	GEARBOX MOUNT PLATFORM
12	15090071	SWING GEARBOX SIDE MT (SD)
13	15090072	SWING GEARBOX SIDE MT (GBOX)
14	15591002	GBOX 90 1:1 CW/CCW 1-1/2 4190 W/OIL
15	15591000	GBOX 90 1:1 CW/CW 1-1/2 4190 W/OIL
16	15591003	GBOX 90 1.5:1SFTMT 1-1/2 5190 W/OIL
17	20040008	GUARD 6190GB FLIP-UP
18	20092097	SWING 6190 GBOX SIDE MT (LINK ARM)
19	P0118007	BOLT 1" X 4-1/2" GR8 PLATED
20	P0118131	BOLT 1/4" X 1" GR8 PLATED
21	P0118046	BOLT 3/8" X 1" GR8 PLATED
22	P0118013	BOLT 1/2"X1 1/2" GR.8 PLATED
23	P0118016	BOLT 1/2" X 2" GR8 PLATED
24	P0134026	LOCKNUT-NYLON-3/8" GRADE 8
25	P0134008	LOCKNUT-NYLON-1/2"
26	P0134030	LOCKNUT-NYLON-1" GRADE 8
27	P0151006	FLAT WASHER 1/4"PLATED USS
28	P0151009	FLAT WASHER 3/8"PLATED USS
29	P0151029	FLAT WASHER 1/2"PLATED USS
30	P0152004	LOCK WASHER 1/4"PLATED
31	P0152008	LOCK WASHER 1/2"PLATED
32	P0162001	HITCH PIN 1/2" X 3" PLATED
33	P0162003	HITCH PIN 1" X 3-1/2" PLATED
34	P0163001	HAIR PIN 3/16" X 3-1/4"
35	P0167002	SPRING PIN 3/8" X 2"
36	P0311003	CHAIN FOR DRIVE(80-2RX12+CL)
37	P0338122	SPROCKET-H80B12 X 1-1/2
38	P0381003	CV SHAFT-14E W/1-1/2"IMP.END
39	P0381028	PTO SHAFT-1-1/2" BOTH ENDS-105"-35
40	P0391002	KEY 3/8" X 2" LONG
41	P1210022	RECESSED HEAD BUTTON PLUG 1-1/2"
42	P1210033	501 SHAFT GUARD PLUG
43	15030015	15 SERIES HITCH

1515LP HYDRAULIC DRIVE KIT (15000281)

63

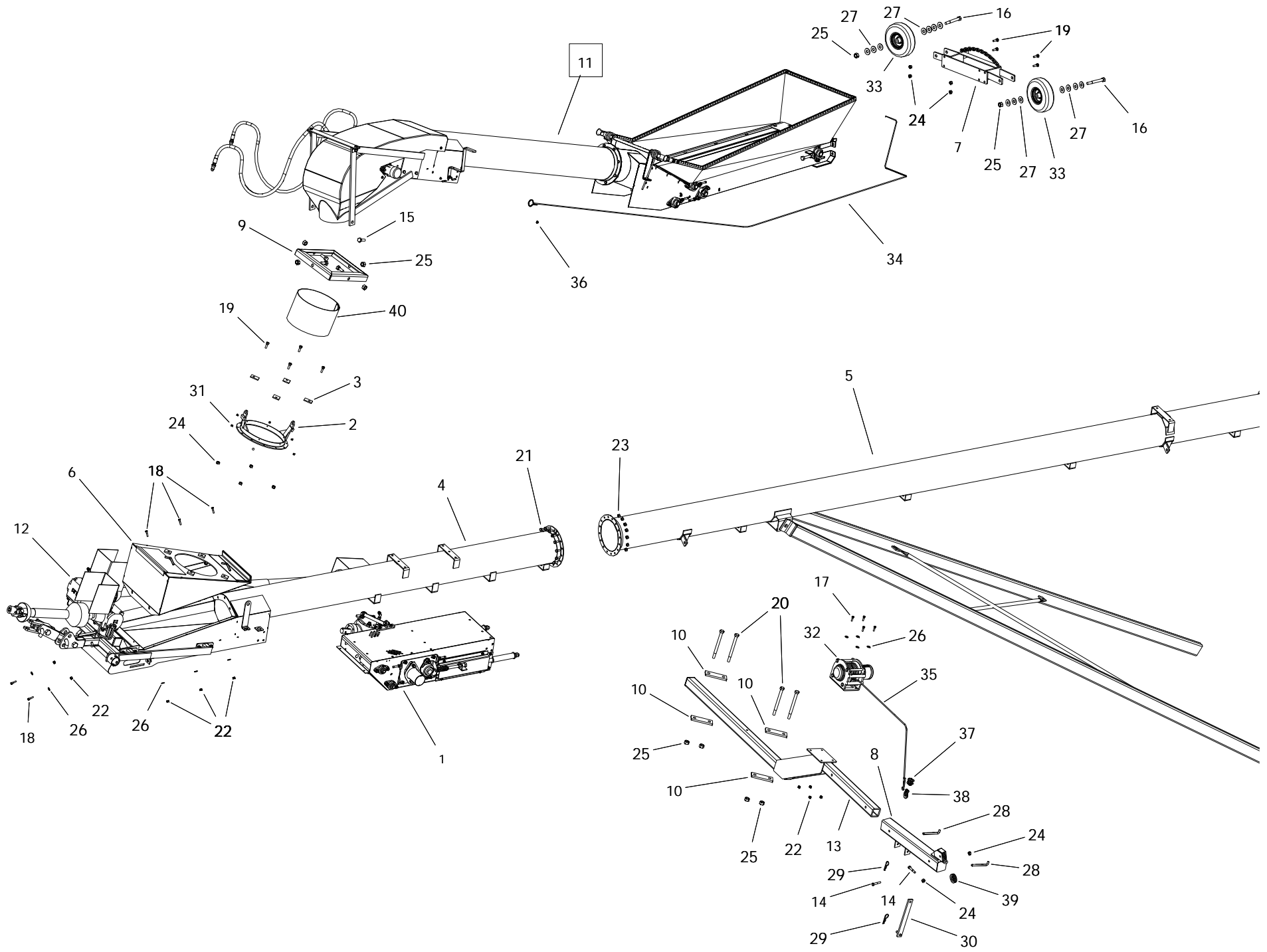


1515LP HYDRAULIC DRIVE KIT (15000281)

ITEM	PART NO.	DESCRIPTION
1	13041038	SHAFT GUARD(FL-206)
2	13060001	HYD MOTOR MOUNT 1314
3	P0118055	BOLT 3/8" X 3/4" GR8 PLATED
4	P0134008	LOCKNUT-NYLON-1/2"
5	P0141002	TEK SCREW 1/4"X1"
6	P0151006	FLAT WASHER 1/4"PLATED USS
7	P0167002	SPRING PIN 3/8" X 2"
8	P0311001	ROLLER CHAIN FOR DRIVE(50-2RX14+CL)
9	P0335140	SPROCKET 5014 1.0(KEY0.25)
10	P0335141	SPROCKET 5014 1.25(KEY0.25)
11	P0391003	KEY 1/4" X 1-1/2" LONG
12	P0820001	SWIVEL-1/2"90 DEGREE
13	P0820008	SWIVEL-3/8"MPTX1/2"FPT/90D
14	P0821134	NIPPLE-1/2"MPT-3/8"MPT-HEX
15	P0841010	HYD MOTOR-6.3 (5.9H) RS-MAN HOLE
16	P0861004	VALVE-SPEED CONT.
17	P0861035	CHECK VALVE-1/2" (NO HOLE)
18	P1210032	FL-206 SHAFT GUARD PLUG
19	P1210100	1 1/4 HYDMTR GUARD 4.5 X 6.5

1500 SERIES-15584003 (100')

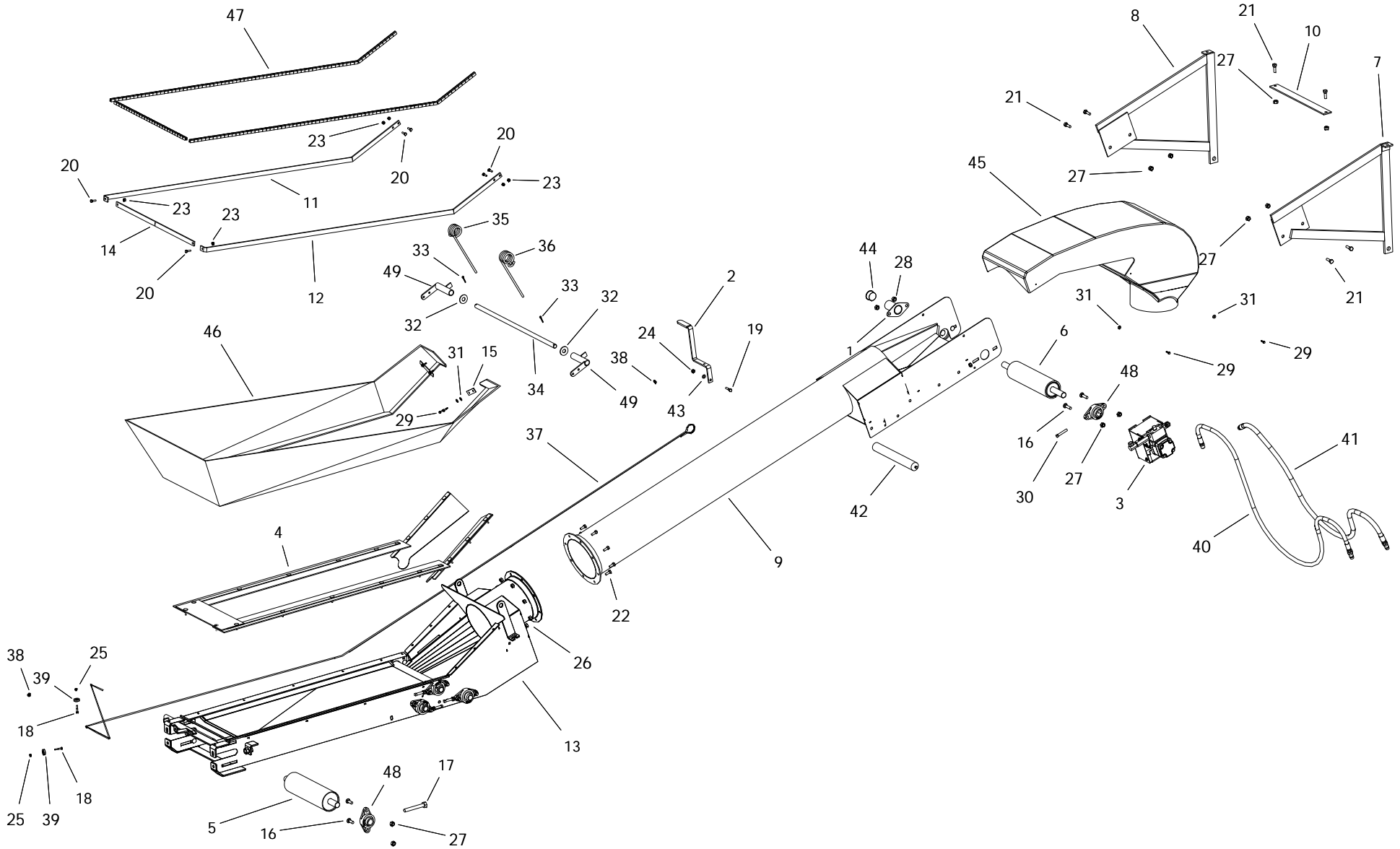
65



1500 SERIES-15584003 (100')

ITEM	PART NO.	DESCRIPTION
1	15590020	S-DRIVE ASM W/PINCH
2	13090026	SWIVEL BASE
3	13092018	MOUNTING TAB
4	15020040	BT HOPPER SECTION 10' WITH SD BKTS
5	15020051	BOTTOM TUBE WITH ANCHORS
6	15090009	SWING HOPPER BASE
7	15090013	SWING TRANSFER WHEELS
8	15090017	TRANSPORT ADJUSTMENT ARM
9	15090027	SWING SWIVEL TOP
10	15092039	TRANSPORT ARM MOUNT PLATE
11	15584200	SWING AWAY -TRANS ASM HYD
12	15592230	FRONT DRIVE PTO KIT 15 SERIES
13	24090023	15/20/24 TRANSPORT ARM OFFSET
14	P0118018	BOLT 1/2" X 3" GR8 PLATED
15	P0115111	BOLT 3/4" X 2" GR8 PLATED
16	P0118044	BOLT 3/4" X 6" GR8 PLATED
17	P0115045	BOLT 3/8" X 1-1/4" GR5 PLATED
18	P0115113	BOLT 3/8" X 1-1/2" GR8 PLATED
19	P0118013	BOLT 1/2"X1 1/2" GR.8 PLATED
20	P0118048	Bolt Hex GR8 3/4 x 9
21	P0118076	BOLT 7/16"X1" GRADE 8 PLATED
22	P0134026	LOCKNUT-NYLON-3/8" GRADE 8
23	P0134007	LOCKNUT-NYLON-7/16"
24	P0134008	LOCKNUT-NYLON-1/2"
25	P0134029	LOCKNUT-NYLON-3/4" GRADE 8
26	P0151009	FLAT WASHER 3/8"PLATED USS
27	P0151015	FLAT WASHER 3/4"PLATED USS
28	P0162004	HITCH PIN 1/2" X 5" PLATED
29	P0163001	HAIR PIN 3/16" X 3-1/4"
30	P0182101	TURNBUCKLE 5/8" X 6"STUB
31	P0186001	RIVET-STEEL BODY 3/16" X 1/2"
32	P0217634B	HYDRAULIC WINCH KIT
33	P0610407	TIRE-410/350X4 W/3/4" HUB
34	P0711101	CABLE 1/8" 7 X 19 GAC
35	P0711118	CABLE-5/16" (26')
36	P0712104	CABLE CLAMP-1/8" GALV.
37	P0712105	CABLE CLAMP-5/16" GALV.
38	P0712301	Grab Hook
39	P2210713	CABLE SHEAVE 2-3/4"OD
40	P11139010	SWING BELT SHEILD
41	15000717	1500 SA TRANSFER OLD 34' 6"

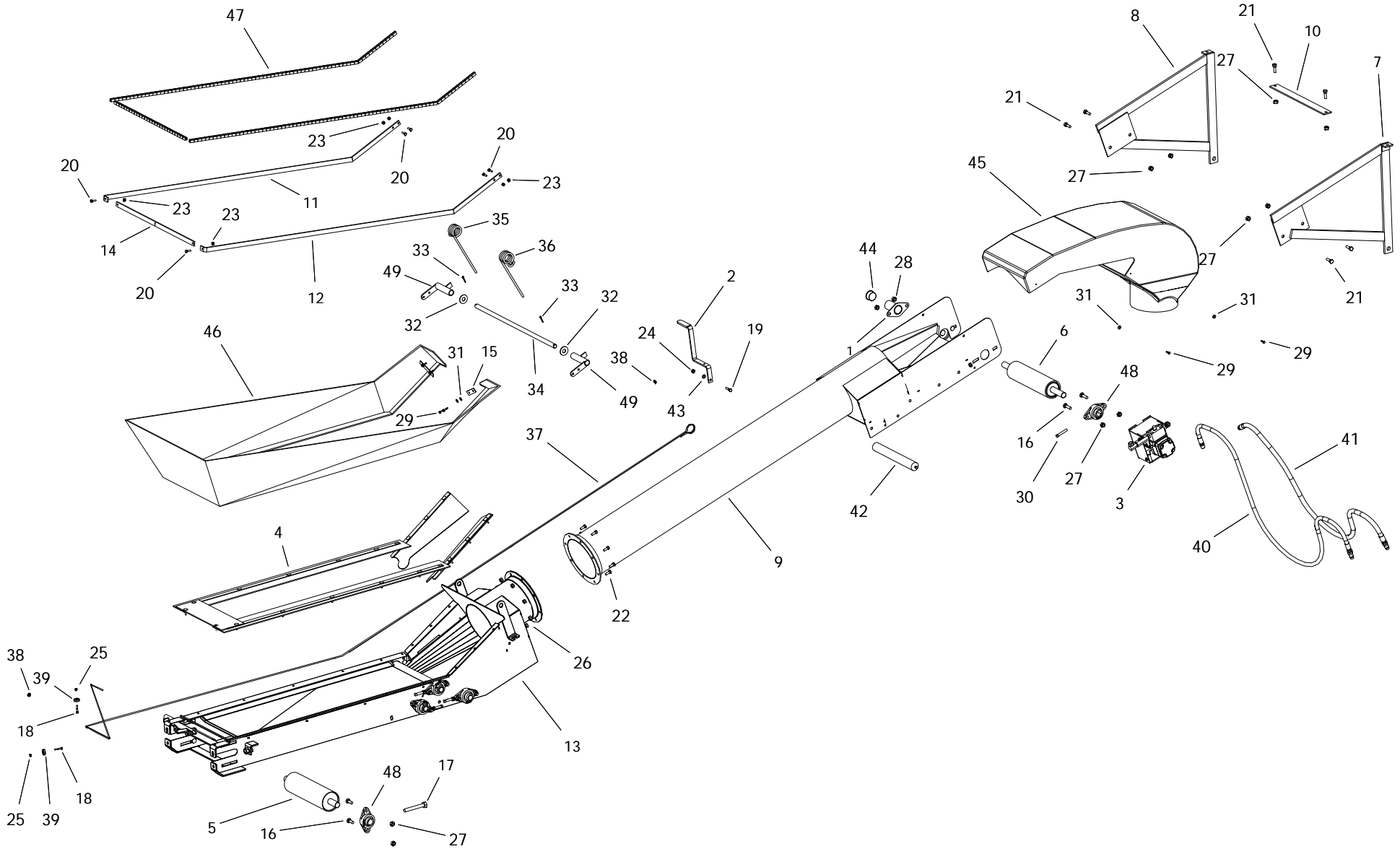
SWING AWAY TRANSFER ASSEMBLY (15584200)



SWING AWAY TRANSFER ASSEMBLY (15584200)

ITEM	PART NO.	DESCRIPTION
1	13041038	SHAFT GUARD(FL-206)
2	13100008	HOPPER HANDLE
3	15000281	1515LP HYDRAULIC DRIVE KIT
5	15070012	TAKE-UP ROLLER-1-1/4" LAGGED
6	15070013	SPOUT DRIVE ROLLER-1-1/4" LAGGED
7	15090007	Transfer Support Brace (RH)
8	15090008	TRANSFER SUPPORT BRACE-LH
9	15090012	7' Swing Spout
10	15092044	SUPPORT BRACE SPACER
11	15100001	UPPER CLOTH FRAME TR RIGHT
12	15100002	UPPER CLOTH FRAME TR LEFT
13	15100010	1515 Bottom
14	15102018	UPPER CLOTH FRAME TR FRONT
15	15102061	LOWER CLOTH FRAME TR BACK
16	P0113001	CARRIAGE BOLT 1/2"X2" PLATED
17	P0114007	TAP BOLT 3/4 X 7 PLATED
18	P0118026	BOLT 1/4" X 1-1/2" GR8 PLATED
19	P0115113	BOLT 3/8" X 1-1/2" GR8 PLATED
20	P0118061	BOLT 5/16" X 1" GR8 PLATED
21	P0118013	BOLT 1/2"X1 1/2" GR.8 PLATED
22	P0118076	BOLT 7/16"X1" GRADE 8 PLATED
23	P0131017	NUT 5/16" PLATED GRADE 8
24	P0131018	NUT 3/8" PLATED GRADE 8
25	P0134023	LOCKNUT-NYLON-1/4" GR8
26	P0134007	LOCKNUT-NYLON-7/16"
27	P0134008	LOCKNUT-NYLON-1/2"
28	P01340101	LOCKNUT-NYLON-5/8" GRADE 8
29	P0141002	TEK SCREW 1/4"X1"
30	P0145002	SET SCREW-7/16"X2-1/2"SQ.HD.
31	P0151006	FLAT WASHER 1/4"PLATED USS
32	P0151015	FLAT WASHER 3/4"PLATED USS
33	P0161003	COTTER PIN 3/16"X1-1/2"PLATED
34	P0162007	HOPPER PIVOT SHAFT-13/15
35	P0521001	HOPPER SPRING-L
36	P0521002	HOPPER SPRING-R
37	P0711101	CABLE 1/8" 7 X 19 GAC
38	P0712104	CABLE CLAMP-1/8" GALV.
39	P0713104	CABLE SHEAVE-1-1/4" W/BEARING
40	P0832017	HOSE 3/8(15')-1/2"MPT-1/2"MPT PC
41	P0832031	HOSE 1/2(15')-1/2MPT-1/2MPT PC
42	P1021006	ROLLER HEX 15-7/8"
43	P1210010	Washer Nylon 3/8 USS
44	P1210033	501 SHAFT GUARD PLUG
45	P1211501	HOOD-ROUND 15 SERIES (KANBAN)
46	P1621010	HOPPER CANVAS 1515LP
47	P1641015	TRIM LOCK

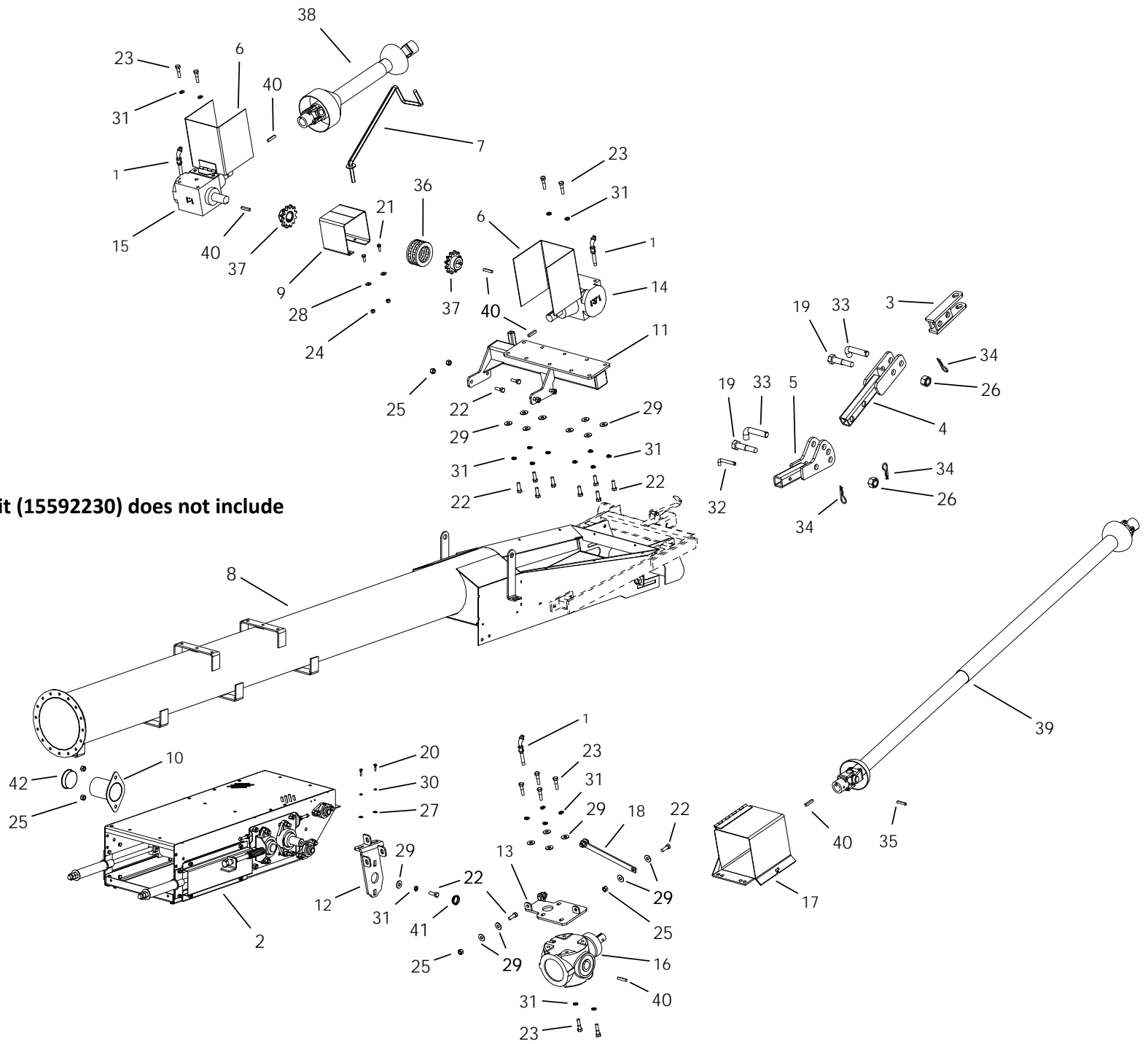
SWING AWAY TRANSFER ASSEMBLY (15584200)



SWING AWAY TRANSFER ASSEMBLY (15584200)

ITEM	PART NO.	DESCRIPTION
48	P1711002	FLANGE UNIT-1-1/4"-SAFL206-20
49	P2515017	PIVOT SHAFT BRACKET

FRONT DRIVE PTO KIT 15 SERIES (15592230)

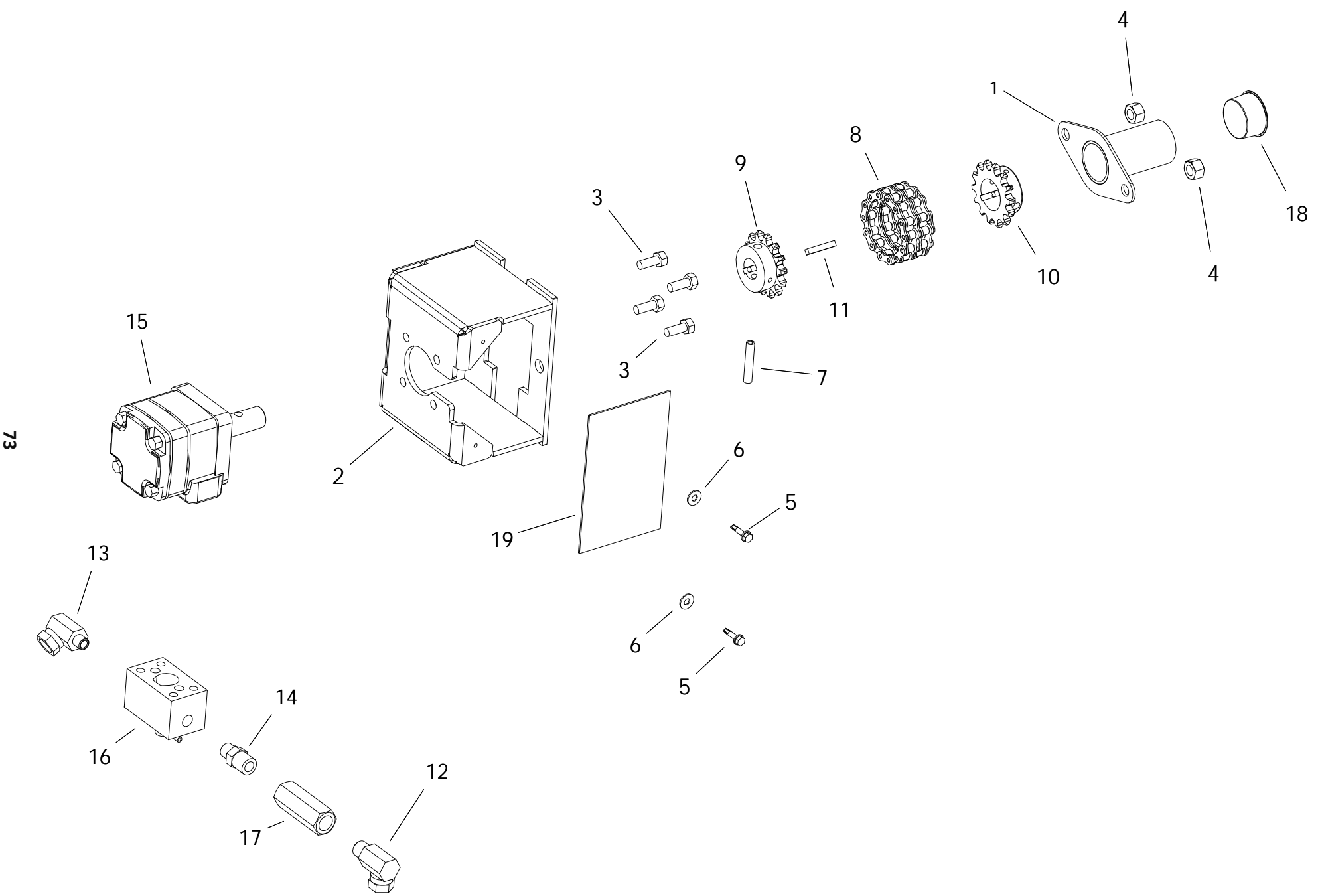


Note: Front PTO Kit (15592230) does not include item # 2, 8

FRONT DRIVE PTO KIT 15 SERIES (15592230)

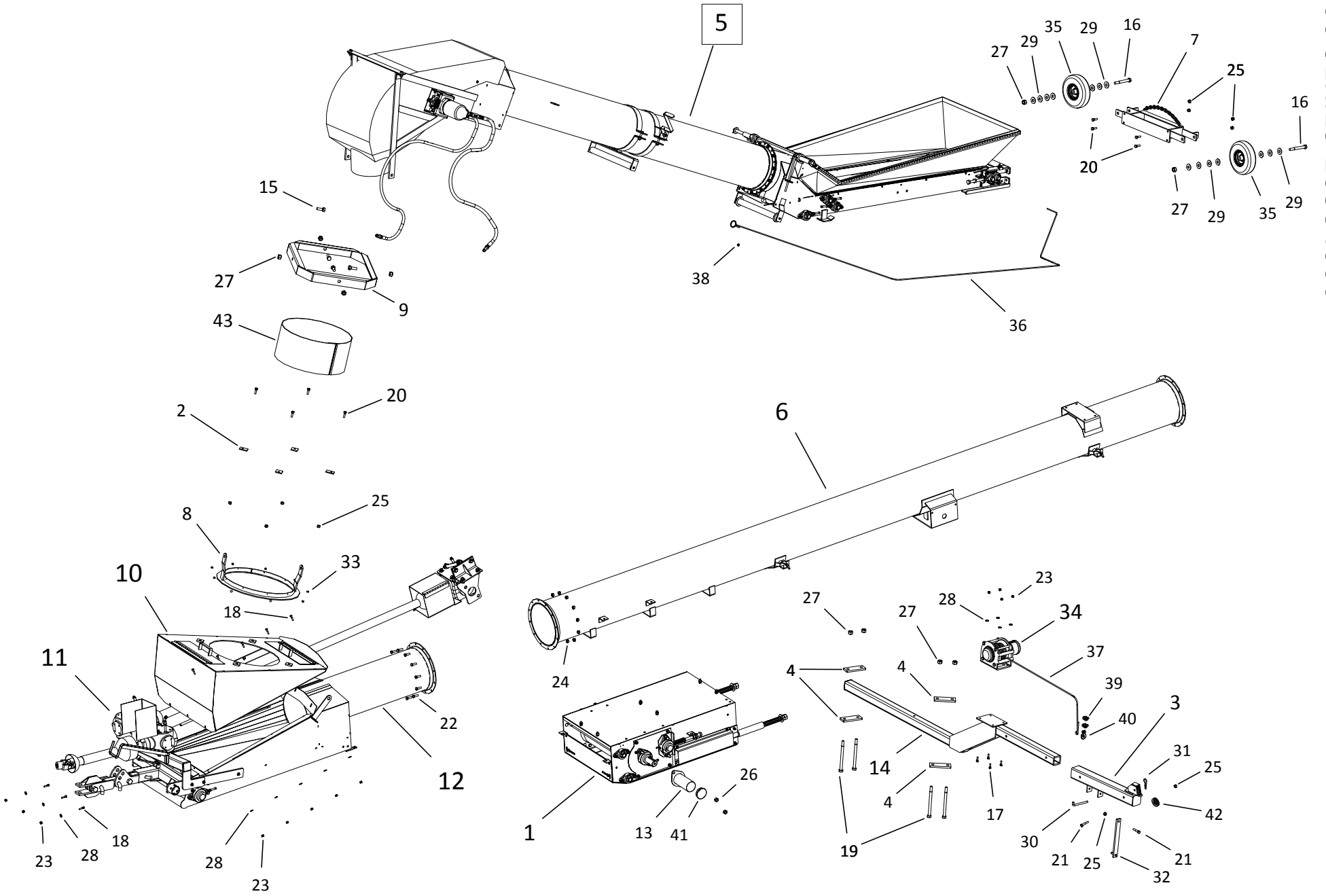
ITEM	PART NO.	DESCRIPTION
1	01010002	BREATHER -SWING AWAY
2	15590020	S-DRIVE ASM W/PINCH
3	13030017	CLEVIS
4	13030064	13/15 ADJUSTABLE CLEVIS
5	13030065	15 SWING ADJUSTABLE TONGUE
6	13040011	PTO GUARD SWING
7	13090019	SWING PTO CRADLE
8	15020040	BT HOPPER SECTION 10' WITH SD BKTS
9	15040009	COUPLING GUARD
10	15041038	SHAFT GUARD(FL-208)
11	15090067	GEARBOX MOUNT PLATFORM
12	15090071	SWING GEARBOX SIDE MT (SD)
13	15090072	SWING GEARBOX SIDE MT (GBOX)
14	15591002	GBOX 90 1:1 CW/CCW 1-1/2 4190 W/OIL
15	15591000	GBOX 90 1:1 CW/CW 1-1/2 4190 W/OIL
16	15591003	GBOX 90 1.5:1SFTMT 1-1/2 5190 W/OIL
17	20040008	GUARD 6190GB FLIP-UP
18	20092097	SWING 6190 GBOX SIDE MT (LINK ARM)
19	P0118007	BOLT 1" X 4-1/2" GR8 PLATED
20	P0118131	BOLT 1/4" X 1" GR8 PLATED
21	P0118046	BOLT 3/8" X 1" GR8 PLATED
22	P0118013	BOLT 1/2"X1 1/2" GR.8 PLATED
23	P0118016	BOLT 1/2" X 2" GR8 PLATED
24	P0134026	LOCKNUT-NYLON-3/8" GRADE 8
25	P0134008	LOCKNUT-NYLON-1/2"
26	P0134030	LOCKNUT-NYLON-1" GRADE 8
27	P0151006	FLAT WASHER 1/4"PLATED USS
28	P0151009	FLAT WASHER 3/8"PLATED USS
29	P0151029	FLAT WASHER 1/2"PLATED USS
30	P0152004	LOCK WASHER 1/4"PLATED
31	P0152008	LOCK WASHER 1/2"PLATED
32	P0162001	HITCH PIN 1/2" X 3" PLATED
33	P0162003	HITCH PIN 1" X 3-1/2" PLATED
34	P0163001	HAIR PIN 3/16" X 3-1/4"
35	P0167002	SPRING PIN 3/8" X 2"
36	P0311003	CHAIN FOR DRIVE(80-2RX12+CL)
37	P0338122	SPROCKET-H80B12 X 1-1/2
38	P0381003	CV SHAFT-14E W/1-1/2"IMP.END
39	P0381028	PTO SHAFT-1-1/2" BOTH ENDS-105"-35
40	P0391002	KEY 3/8" X 2" LONG
41	P1210022	RECESSED HEAD BUTTON PLUG 1-1/2"
42	P1210033	501 SHAFT GUARD PLUG
43	15030015	15 SERIES HITCH

1515LP HYDRAULIC DRIVE KIT (15000281)



1515LP HYDRAULIC DRIVE KIT (15000281)

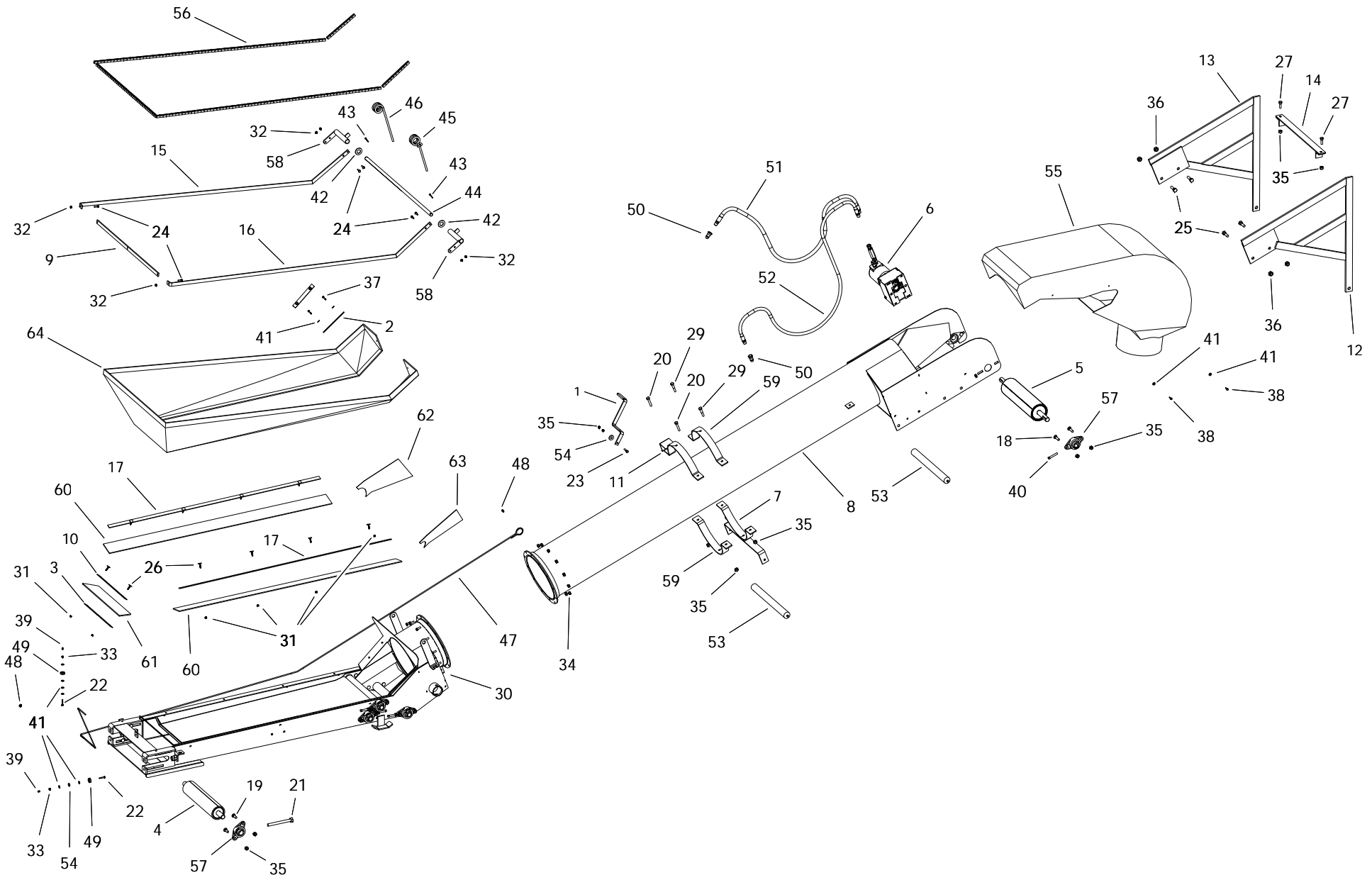
ITEM	PART NO.	DESCRIPTION
1	13041038	SHAFT GUARD(FL-206)
2	13060001	HYD MOTOR MOUNT 1314
3	P0118055	BOLT 3/8" X 3/4" GR8 PLATED
4	P0134008	LOCKNUT-NYLON-1/2"
5	P0141002	TEK SCREW 1/4"X1"
6	P0151006	FLAT WASHER 1/4"PLATED USS
7	P0167002	SPRING PIN 3/8" X 2"
8	P0311001	ROLLER CHAIN FOR DRIVE(50-2RX14+CL)
9	P0335140	SPROCKET 5014 1.0(KEY0.25)
10	P0335141	SPROCKET 5014 1.25(KEY0.25)
11	P0391003	KEY 1/4" X 1-1/2" LONG
12	P0820001	SWIVEL-1/2"90 DEGREE
13	P0820008	SWIVEL-3/8"MPTX1/2"FPT/90D
14	P0821134	NIPPLE-1/2"MPT-3/8"MPT-HEX
15	P0841010	HYD MOTOR-6.3 (5.9H) RS-MAN HOLE
16	P0861004	VALVE-SPEED CONT.
17	P0861035	CHECK VALVE-1/2" (NO HOLE)
18	P1210032	FL-206 SHAFT GUARD PLUG
19	P1210100	1 1/4 HYDMTR GUARD 4.5 X 6.5



2000 SERIES-20584000

ITEM	PART NO.	DESCRIPTION
1	24590020	S-DRIVE ASM W/PINCH
2	13092018	MOUNTING TAB
3	15090017	TRANSPORT ADJUSTMENT ARM
4	15092039	TRANSPORT ARM MOUNT PLATE
5	20000420	SWING AWAY TRANSFER ASSEMBLY
6	20020507	CENTER 20' -LOWER SUSP BRKT
7	20090022	SWING TRANSFER WHEELS FRONT MT
8	20090026	SWIVEL BASE
9	20090027	Swivel Top
10	20090066	Hopper Base
11	20592230	FRONT DRIVE PTO KIT 20 SERIES
12	24020501	2400 Hopper
13	24041038	SHAFT GUARD(FL-210)
14	24090023	15/20/24 TRANSPORT ARM OFFSET
15	P0115111	BOLT 3/4" X 2" GR8 PLATED
16	P0118044	BOLT 3/4" X 6" GR8 PLATED
17	P0115045	BOLT 3/8" X 1-1/4" GR5 PLATED
18	P0115113	BOLT 3/8" X 1-1/2" GR8 PLATED
19	P0118094	BOLT 3/4" X 10" GR8 PLATED
20	P0118013	BOLT 1/2"X1 1/2" GR.8 PLATED
21	P0118017	BOLT 1/2"X2-1/2"GRADE 8 PLATED
22	P0118077	BOLT 7/16"X1-1/2" GRADE 8 PLATED
23	P0134026	LOCKNUT-NYLON-3/8" GRADE 8
24	P0134007	LOCKNUT-NYLON-7/16"
25	P0134008	LOCKNUT-NYLON-1/2"
26	P01340101	LOCKNUT-NYLON-5/8" GRADE 8
27	P0134029	LOCKNUT-NYLON-3/4" GRADE 8
28	P0151009	FLAT WASHER 3/8"PLATED USS
29	P0151015	FLAT WASHER 3/4"PLATED USS
30	P0162004	HITCH PIN 1/2" X 5" PLATED
31	P0163001	HAIR PIN 3/16" X 3-1/4"
32	P0182101	TURNBUCKLE 5/8" X 6"STUB
33	P0186001	RIVET-STEEL BODY 3/16" X 1/2"
34	P0217634B	HYDRAULIC WINCH KIT
35	P0610407	TIRE-410/350X4 W/3/4" HUB
36	P0711101	CABLE 1/8" 7 X 19 GAC
37	P0711118	CABLE-5/16" (26')
38	P0712104	CABLE CLAMP-1/8" GALV.
39	P0712105	CABLE CLAMP-5/16" GALV.
40	P0712301	Grab Hook
41	P1210033	501 SHAFT GUARD PLUG
42	P2210713	CABLE SHEAVE 2-3/4"OD
43	P11209010	SWING BELT SHEILD (rev1)
44	2000071624	2000 SA TRANSFER NEW 41' 6"

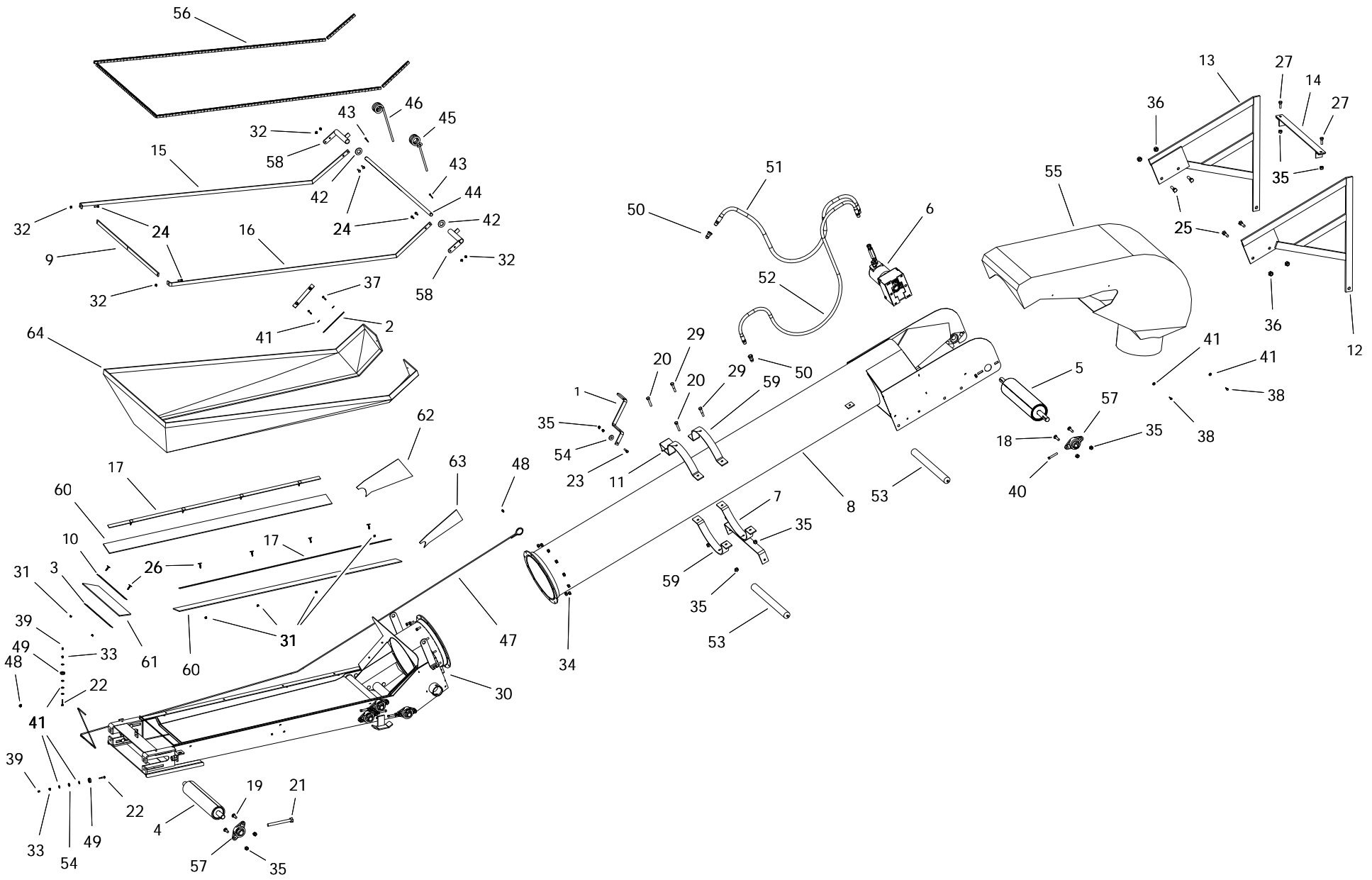
SWING AWAY TRANSFER ASSEMBLY (20000420)



SWING AWAY TRANSFER ASSEMBLY (20000420)

ITEM	PART NO.	DESCRIPTION
1	13100008	HOPPER HANDLE
2	13102059	LOWER CLOTH FRAME TR TRNSITION (13)
3	18102036	LOWER CLOTH FRAME TR FRONT
4	25070002	PITSTOP TAKE-UP ROLLER
5	18070007	TRANSFER SPOUT ROLLER
6	18000281	HYDRAULIC DRIVE KIT FOR 1814LP & TD
7	18010017	GUIDING RETURN ROLLER BRACKET
8	18020003	1800 10' Spout
9	18102035	UPPPER CLOTH FRAME TR FRONT
10	18102036	LOWER CLOTH FRAME TR FRONT
11	20010029	SA COLLAPS HANDLE MOUNT
12	20090007	Transfer Support Brace-LH
13	20090008	Transfer Support Brace-RH
14	20092008	Support Brace Spacer
15	1310000124	TRANSFER UPPER FRAME-RIGHT EXT.24"
16	1310000224	TRANSFER UPPER FRAME-LEFT EXT.24"
17	1310206024	LOWER CLOTH FRAME TR SIDE E24
18	P0113001	CARRIAGE BOLT 1/2"X2" PLATED
19	P0113004	CARRIAGE BOLT 1/2"X1-1/2"PLATED
20	P0114005	TAP BOLT 1/2 X 2-1/2 GR.8 PLATED
21	P0114007	TAP BOLT 3/4 X 7 PLATED
22	P0118026	BOLT 1/4" X 1-1/2" GR8 PLATED
23	P0115113	BOLT 3/8" X 1-1/2" GR8 PLATED
24	P0118061	BOLT 5/16" X 1" GR8 PLATED
25	P0118071	BOLT 5/8" X 2" GR8 PLATED
26	P0116001	ELEVATOR BOLT 1/4"X1-1/4"
27	P0118013	BOLT 1/2"X1 1/2" GR.8 PLATED
29	P0118017	BOLT 1/2"X2-1/2"GRADE 8 PLATED
30	P0118076	BOLT 7/16"X1" GRADE 8 PLATED
31	P0131016	NUT 1/4" PLATED GRADE 8
32	P0131017	NUT 5/16" PLATED GRADE 8
33	P0134023	LOCKNUT-NYLON-1/4" GR8
34	P0134007	LOCKNUT-NYLON-7/16"
35	P0134008	LOCKNUT-NYLON-1/2"
36	P01340101	LOCKNUT-NYLON-5/8" GRADE 8
37	P0141002	TEK SCREW 1/4"X1"
38	P0141003	TEK SCREW 1/4"X1-1/2" HEX WASHER
39	P0145001	VINYL SCREW CAP
40	P0145002	SET SCREW-7/16"X2-1/2"SQ.HD.
41	P0151006	FLAT WASHER 1/4"PLATED USS
42	P0151015	FLAT WASHER 3/4"PLATED USS
43	P0161003	COTTER PIN 3/16"X1-1/2"PLATED
44	P0162008	HOPPER PIVOT SHAFT-20/24 (rev1)
45	P0521005	HOPPER SPRING-L-.437
46	P0521006	HOPPER SPRING-R-.437
47	P0711101	CABLE 1/8" 7 X 19 GAC

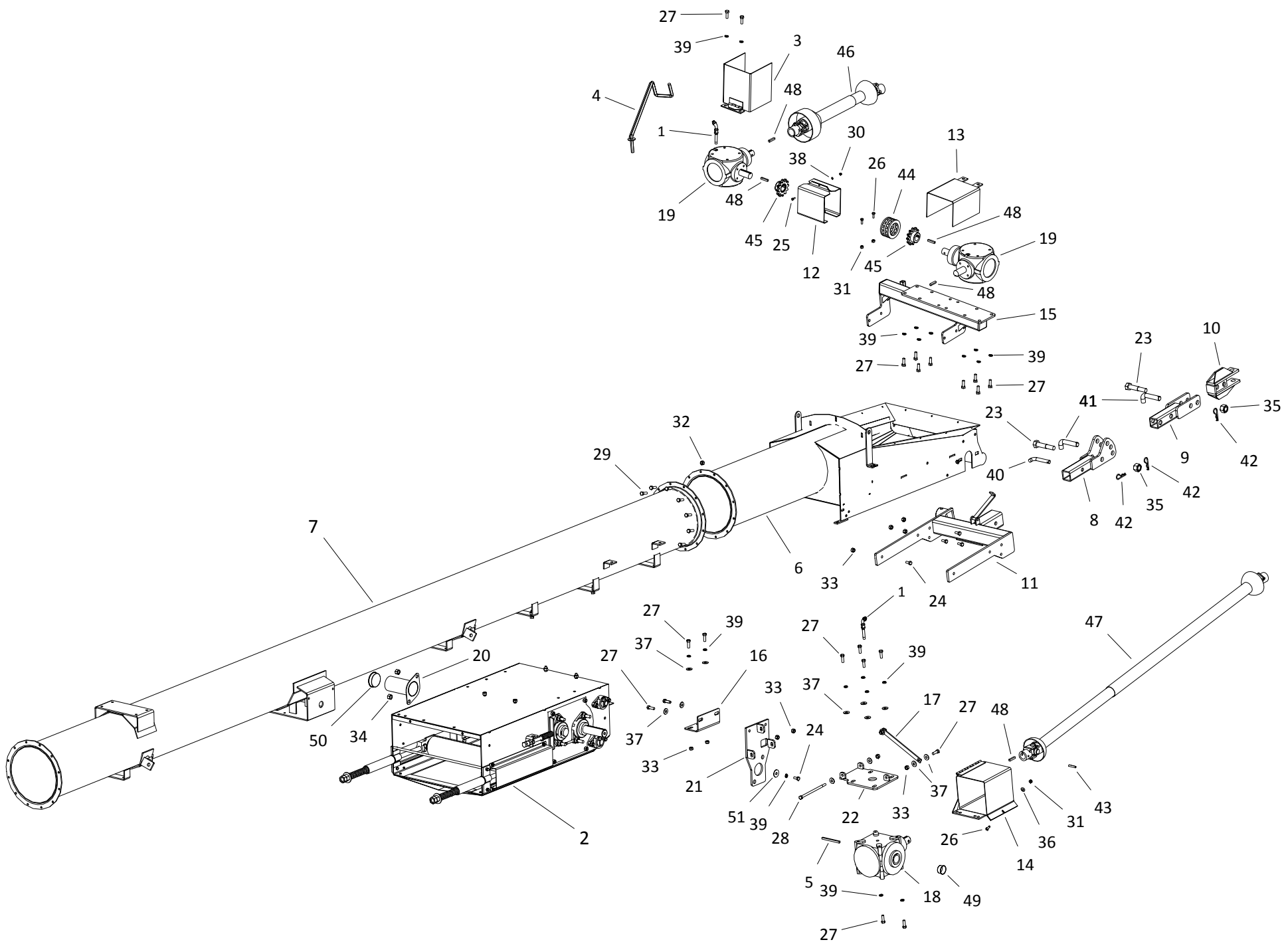
SWING AWAY TRANSFER ASSEMBLY (20000420)



SWING AWAY TRANSFER ASSEMBLY (20000420)

ITEM	PART NO.	DESCRIPTION
48	P0712104	CABLE CLAMP-1/8" GALV.
49	P0713104	CABLE SHEAVE-1-1/4" W/BEARING
50	P0820401	QUICK COUPLING NIPPLE
51	P0832031	HOSE 1/2(15')-1/2MPT-1/2MPT PC
52	P0832064	HOSE 3/4(15')-1/2"MPT-1/2"MPT PC
53	P1021003	ROLLER HEX 21"
54	P1210010	Washer Nylon 3/8 USS
55	P1211801	HOOD-LARGE ROUND 18 SERIES
56	P1641015	TRIM LOCK
57	P1711002	FLANGE UNIT-1-1/4"-SAFL206-20
58	P2513012	PIVOT SHAFT BRACKET TRADITIONAL
59	P2518202P	2" U-CLAMP PAINTED
60	P11139008	HOPPER SIDE FLASHING FL E24
61	P11189005	1814 Front Flashing
62	P19189006	HOPPER TRANSITION LEFT 18S FL
63	P19189007	HOPPER TRANSITION RIGHT 18S FL
64	P162100224	HOPPER CANVAS-18 TRANS.EXT.2'
65	2000071624	2000 SA TRANSFER NEW 41' 6"

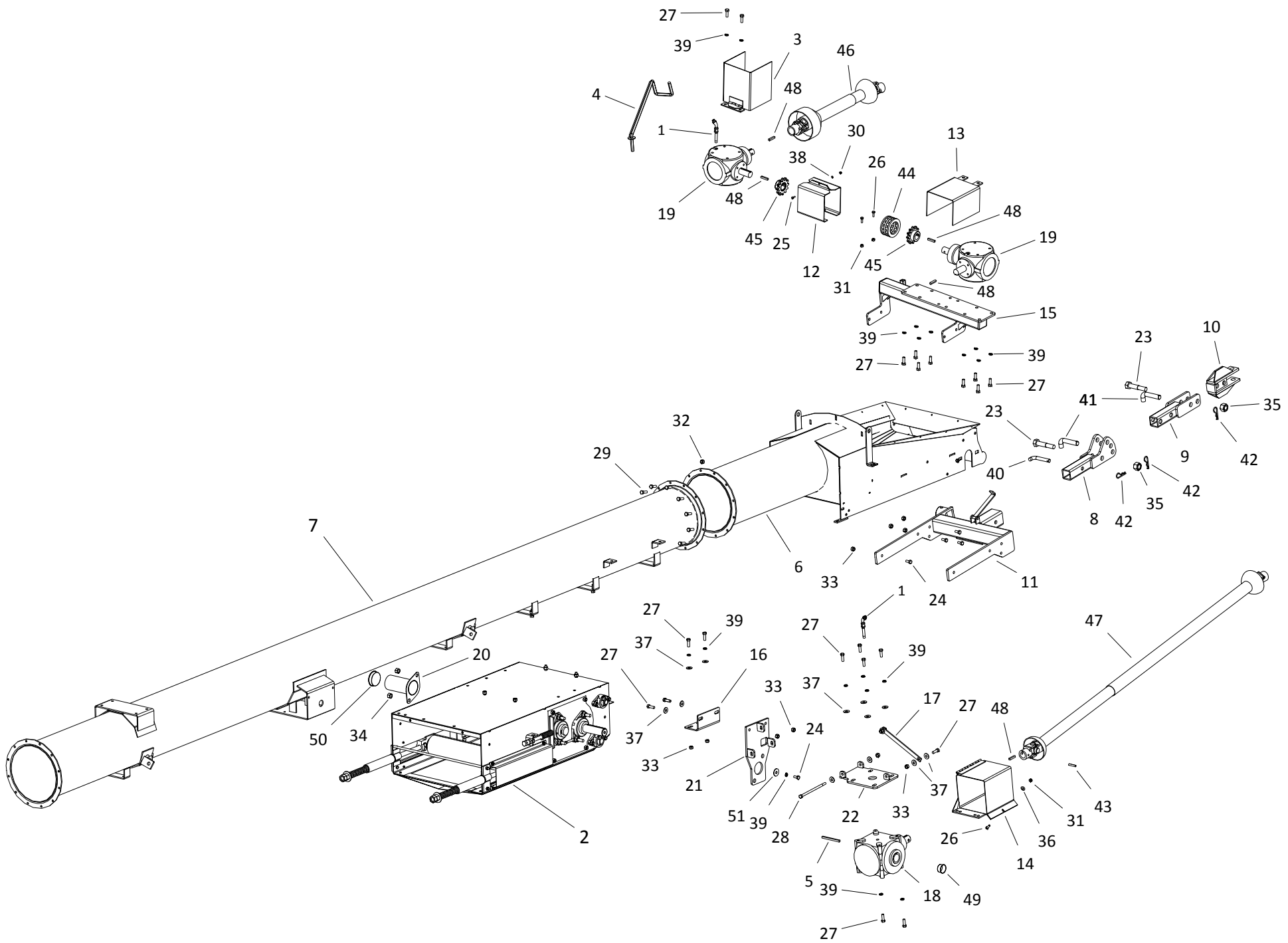
FRONT DRIVE PTO KIT 20 SERIES (20592230)



FRONT DRIVE PTO KIT 20 SERIES (20592230)

ITEM	PART NO.	DESCRIPTION
1	01010002	BREATHER -SWING AWAY
2	24590020	S-DRIVE ASM W/PINCH
3	13040011	PTO GUARD SWING
4	13090019	SWING PTO CRADLE
5	13202124	KEY 3/8" X 5.25" LONG
6	20020501	HOPPER
7	20020507	CENTER 20' -LOWER SUSP BRKT
8	20030004	20 SWING ADJUSTABLE TONGUE
9	20030005	20 ADJUSTABLE CLEVIS
10	20030017	CLEVIS
11	20030046	HITCH
12	20040004	SWING S-DRIVE COUPLING GUARD (HALF)
13	20040006	5190 GEARBOX GUARD
14	20040008	GUARD 6190GB FLIP-UP
15	20090067	Gearbox Mount Platform
16	20090071	GEARBOX MOUNT ANGLE BRKT
17	20092097	SWING 6190 GBOX SIDE MT (LINK ARM)
18	20591001	GBOX 90 1.85:1 1-15/16 6190 W/OIL
19	20591002	GBOX 90 1:1 CW/CW 1-1/2 5190 W/OIL
20	24041038	SHAFT GUARD(FL-210)
21	200900701	SWING 6190 GBOX SIDE MT (SD)
22	200900702	SWING 6190 GBOX SIDE MT (GBOX)
23	P0118008	BOLT 1" X 5" GR8 PLATED
24	P0118012	BOLT 1/2" X 1" GR8 PLATED
25	P0118033	BOLT 1/4" X 3/4" GR8 PLATED
26	P0118046	BOLT 3/8" X 1" GR8 PLATED
27	P0118013	BOLT 1/2"X1 1/2" GR.8 PLATED
28	P0118025	BOLT 1/2" X 9" GR8 PLATED
29	P0118077	BOLT 7/16"X1-1/2" GRADE 8 PLATED
30	P0134023	LOCKNUT-NYLON-1/4" GR8
31	P0134026	LOCKNUT-NYLON-3/8" GRADE 8
32	P0134007	LOCKNUT-NYLON-7/16"
33	P0134008	LOCKNUT-NYLON-1/2"
34	P01340101	LOCKNUT-NYLON-5/8" GRADE 8
35	P0134030	LOCKNUT-NYLON-1" GRADE 8
36	P0151009	FLAT WASHER 3/8"PLATED USS
37	P0151029	FLAT WASHER 1/2"PLATED USS
38	P0152004	LOCK WASHER 1/4"PLATED
39	P0152008	LOCK WASHER 1/2"PLATED
40	P0162002	Pin Hitch 3/4 x 3 1/2
41	P0162003	HITCH PIN 1" X 3-1/2" PLATED
42	P0163001	HAIR PIN 3/16" X 3-1/4"
43	P0167004	SPRING PIN 3/8"X3"
44	P0311003	CHAIN FOR DRIVE(80-2RX12+CL)
45	P0338122	SPROCKET-H80B12 X 1-1/2
46	P0381002	CV SHAFT-2000 SERIES

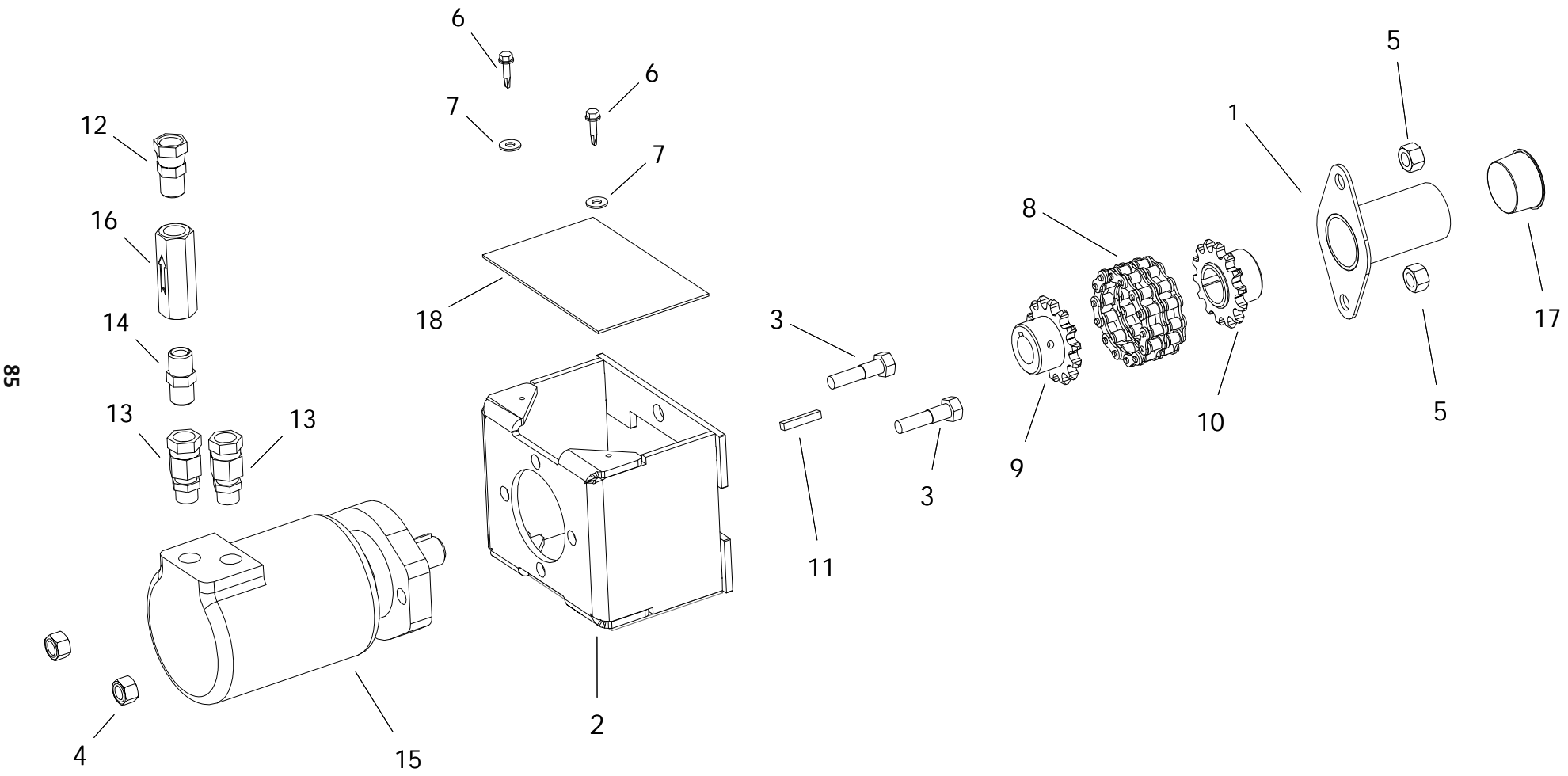
FRONT DRIVE PTO KIT 20 SERIES (20592230)



FRONT DRIVE PTO KIT 20 SERIES (20592230)

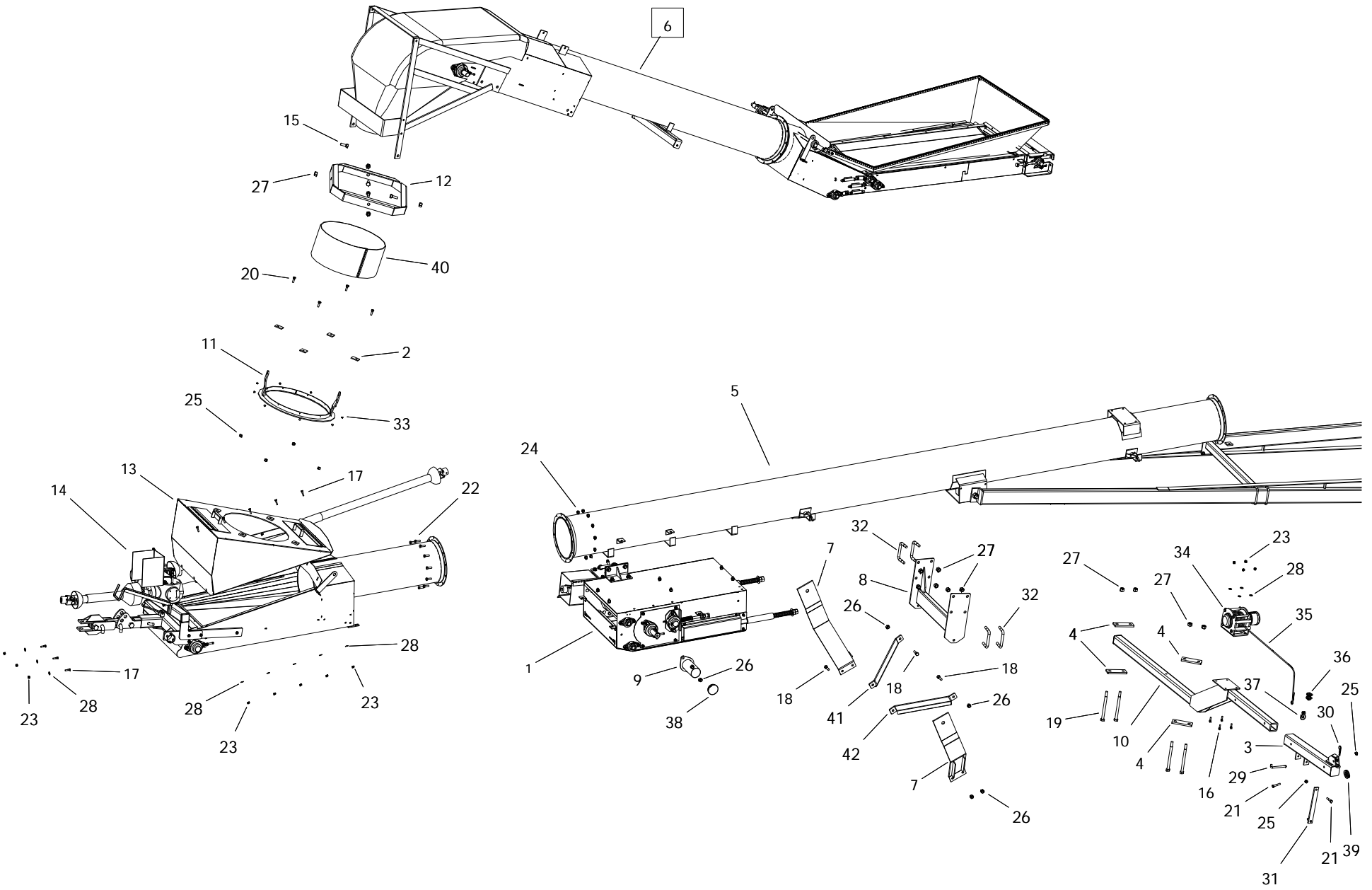
ITEM	PART NO.	DESCRIPTION
47	P0381028	PTO SHAFT-1-1/2" BOTH ENDS-105"-35
48	P0391002	KEY 3/8" X 2" LONG
49	P1210025	GEARBOX PLUG 2"
50	P1210033	501 SHAFT GUARD PLUG
51	P11240130	KEY RETAINER

HYDRAULIC DRIVE KIT FOR 1814LP & TD (18000281)



HYDRAULIC DRIVE KIT FOR 1814LP & TD (18000281)

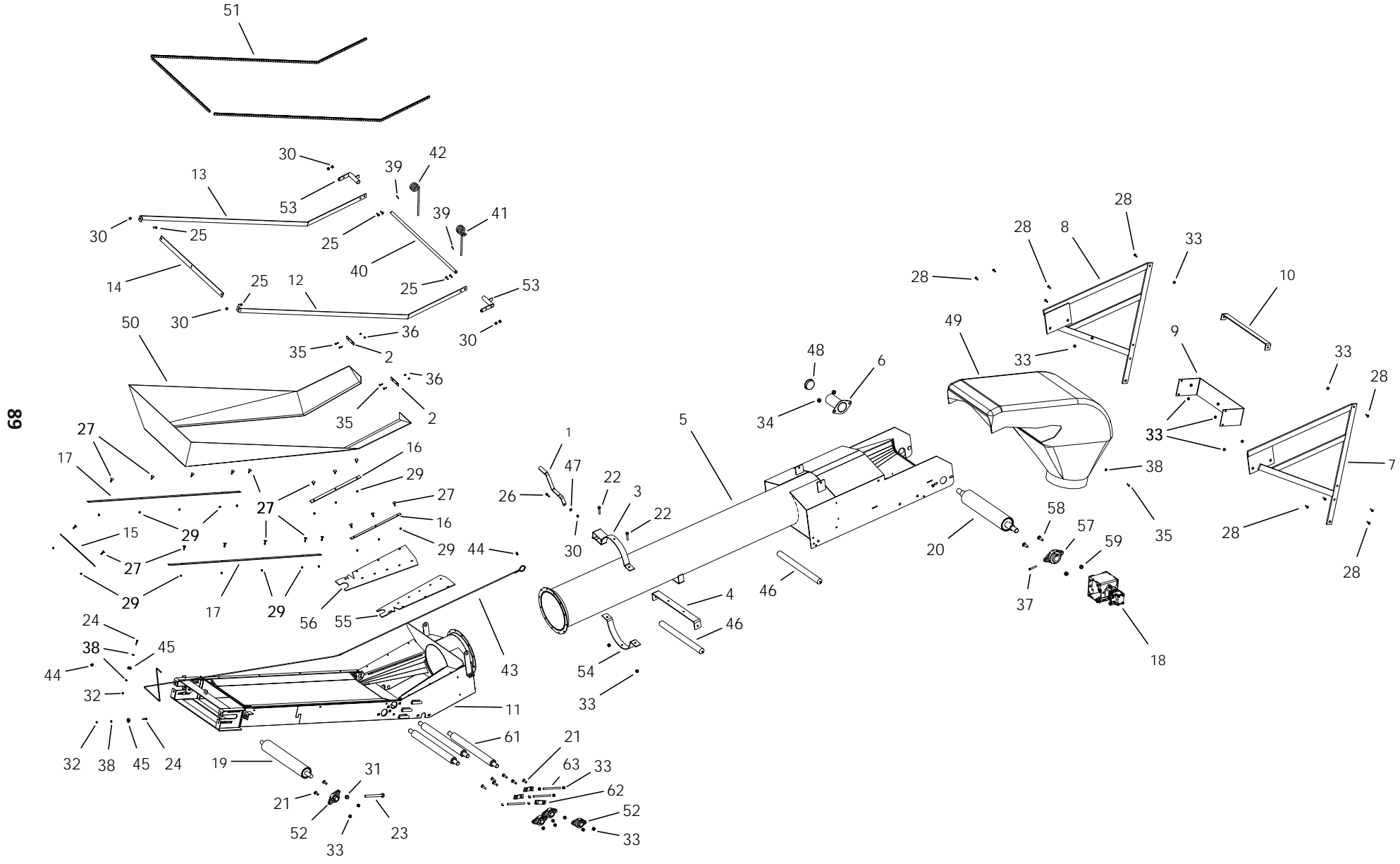
ITEM	PART NO.	DESCRIPTION
1	13041038	SHAFT GUARD(FL-206)
2	25060003	2000 SERIES PITSTOP MOUNT
3	P0118016	BOLT 1/2" X 2" GR8 PLATED
4	P0134008	LOCKNUT-NYLON-1/2"
5	P0134008	LOCKNUT-NYLON-1/2"
6	P0141002	TEK SCREW 1/4"X1"
7	P0151006	FLAT WASHER 1/4"PLATED USS
8	P0311001	ROLLER CHAIN FOR DRIVE(50-2RX14+CL)
9	P0335140	SPROCKET 5014 1.0(KEY0.25)
10	P0335141	SPROCKET 5014 1.25(KEY0.25)
11	P0391003	KEY 1/4" X 1-1/2" LONG
12	P0821112	SWIVEL-1/2" STRAIGHT
13	P0821114	SWIVEL-10ORBX1/2"FS
14	P0821133	HEX NIPPLE-1/2"
15	P0841019	HYD MOTOR-6.2-2000-1"
16	P0861035	CHECK VALVE-1/2" (NO HOLE)
17	P1210032	FL-206 SHAFT GUARD PLUG
18	P1210100	1 1/4 HYDMTR GUARD 4.5 X 6.5



2400 SERIES-24584001 (2485 | 95)

ITEM	PART NO.	DESCRIPTION
1	24590020	S-DRIVE ASM W/PINCH
2	13092018	MOUNTING TAB
3	15090017	TRANSPORT ADJUSTMENT ARM
4	15092039	TRANSPORT ARM MOUNT PLATE
5	20020507	CENTER 20' -LOWER SUSP BRKT
6	24000420	SWING AWAY -TRANSFER ASSEMBLY
7	24030001	FRAME STIFFENER BRKT WELD'T
8	24030009	24 FRAME STIFF CROSS BRACE 85/95
9	24041038	SHAFT GUARD(FL-210)
10	24090023	15/20/24 TRANSPORT ARM OFFSET
11	24090026	24-SWIVEL BASE
12	24090027	24-SWIVEL TOP
13	24090066	24-HOPPER BASE
14	24592230	FRONT DRIVE PTO KIT 20 SERIES
15	P0115111	BOLT 3/4" X 2" GR8 PLATED
16	P0115045	BOLT 3/8" X 1-1/4" GR5 PLATED
17	P0115113	BOLT 3/8" X 1-1/2" GR8 PLATED
18	P0118071	BOLT 5/8" X 2" GR8 PLATED
19	P0118094	BOLT 3/4" X 10" GR8 PLATED
20	P0118013	BOLT 1/2"X1 1/2" GR.8 PLATED
21	P0118017	BOLT 1/2"X2-1/2"GRADE 8 PLATED
22	P0118077	BOLT 7/16"X1-1/2" GRADE 8 PLATED
23	P0134026	LOCKNUT-NYLON-3/8" GRADE 8
24	P0134007	LOCKNUT-NYLON-7/16"
25	P0134008	LOCKNUT-NYLON-1/2"
26	P01340101	LOCKNUT-NYLON-5/8" GRADE 8
27	P0134029	LOCKNUT-NYLON-3/4" GRADE 8
28	P0151009	FLAT WASHER 3/8"PLATED USS
29	P0162004	HITCH PIN 1/2" X 5" PLATED
30	P0163001	HAIR PIN 3/16" X 3-1/4"
31	P0182101	TURNBUCKLE 5/8" X 6"STUB
32	P0183005	U-BOLT 5"X2" (3/4") PTD
33	P0186001	RIVET-STEEL BODY 3/16" X 1/2"
34	P0217634B	HYDRAULIC WINCH KIT
35	P0711118	CABLE-5/16" (26')
36	P0712105	CABLE CLAMP-5/16" GALV.
37	P0712301	Grab Hook
38	P1210033	501 SHAFT GUARD PLUG
39	P2210713	CABLE SHEAVE 2-3/4"OD
40	P11209010	SWING BELT SHEILD (rev1)
41	P11240071	85/95 24-FRAME STIFFENER BRACE LEFT
42	P11240072	85/95 24-FRAME STIFFENER BRACE RIGHT
43	2000071624	2000 SA TRANSFER NEW 41' 6"

SWING AWAY TRANSFER ASSEMBLY (24000420)

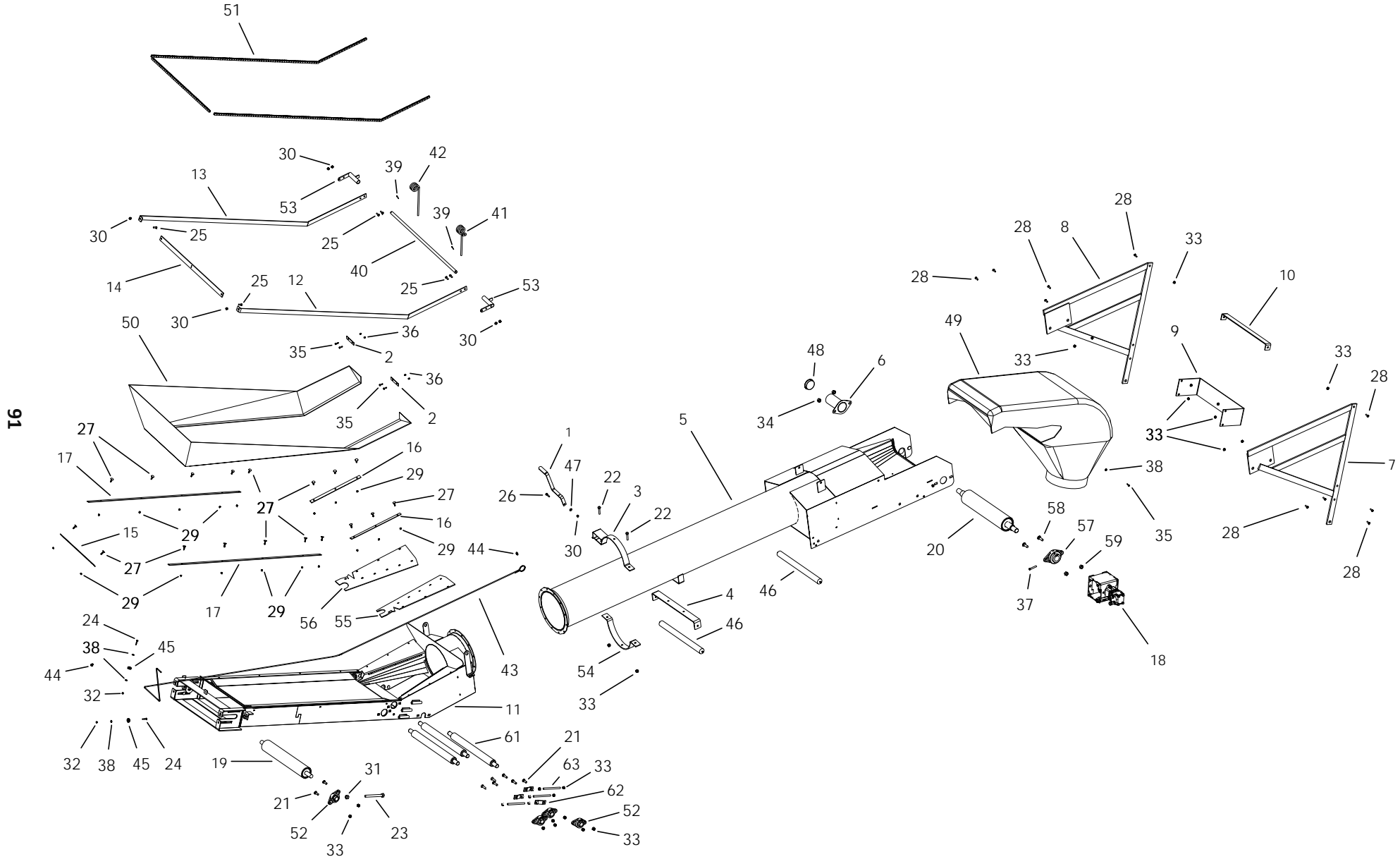


89

SWING AWAY TRANSFER ASSEMBLY (24000420)

ITEM	PART NO.	DESCRIPTION
1	13100008	HOPPER HANDLE
2	15102061	LOWER CLOTH FRAME TR BACK
3	24010029	SA COLLAPS HANDLE MOUNT
4	24011001	RETURN ROLLER BRACKET
5	24020002	SPOUT SECTION 9'
6	24041038	SHAFT GUARD(FL-210)
7	24090007	24-TRANSFER SUPPORT BRACE-LH
8	24090008	24-TRANSFER SUPPORT BRACE-RH
9	24090015	LOWER LATERAL BRACE
10	24092008	TOP LATERAL BRACE
11	24100010	24 TRANSFER HOPPER
12	24100018	24 TRANSFER UPPER FRAME RIGHT
13	24100019	24 TRANSFER UPPER FRAME LEFT
14	24102035	UPPER CLOTH FRAME TR FRONT
15	24102036	LOWER CLOTH FRAME TR FRONT
16	24102037	LOWER CLOTH FRAME TR TRANSITION
17	24102038	LOWER CLOTH FRAME TR SIDE
18	24594000	HYDRAULIC KIT 24 SERIES
19	25070006	PITSTOP TAKE-UP ROLLER - 24" BELT
20	25070007	PITSTOP SPOUT ROLLER - 24" BELT
21	P0113001	CARRIAGE BOLT 1/2"X2" PLATED
22	P0114005	TAP BOLT 1/2 X 2-1/2 GR.8 PLATED
23	P0114007	TAP BOLT 3/4 X 7 PLATED
24	P0115026	BOLT 1/4" X 1-1/2" GR5 PLATED
25	P0115046	BOLT 3/8"X1" GRADE 5 PLATED
26	P0115047	BOLT 3/8"X1-1/2" GRADE 5 PLATED
27	P0116001	ELEVATOR BOLT 1/4"X1-1/4"
28	P0118013	BOLT 1/2"X1 1/2" GR.8 PLATED
29	P0131016	NUT 1/4" PLATED GRADE 8
30	P0131006	NUT 3/8" PLATED
31	P0131112	NUT 3/4"PLATED
32	P0134004	LOCKNUT-NYLON-1/4"
33	P0134008	LOCKNUT-NYLON-1/2"
34	P0134010	LOCKNUT-NYLON-5/8"
35	P0141002	TEK SCREW 1/4"X1"
36	P0145001	VINYL SCREW CAP
37	P0145002	SET SCREW-7/16"X2-1/2"SQ.HD.
38	P0151006	FLAT WASHER 1/4"PLATED USS
39	P0161003	COTTER PIN 3/16"X1-1/2"PLATED
40	P0162008	HOPPER PIVOT SHAFT-20/24 (rev1)
41	P0521005	HOPPER SPRING-L-.437
42	P0521006	HOPPER SPRING-R-.437
43	P0711101	CABLE 1/8" 7 X 19 GAC
44	P0712104	CABLE CLAMP-1/8" GALV.
45	P0713104	CABLE SHEAVE-1-1/4" W/BEARING
46	P1021011	ROLLER HEX 25"

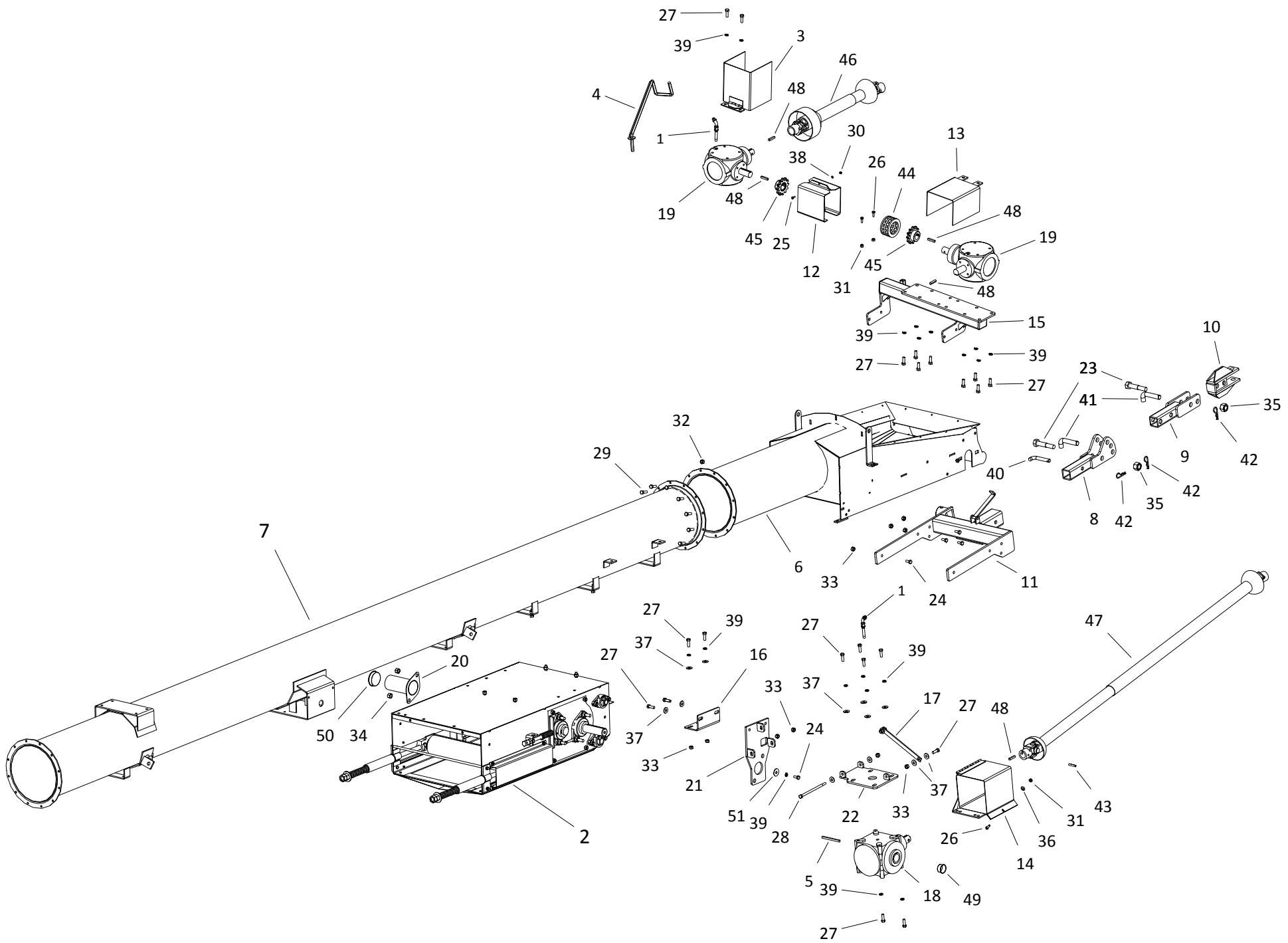
SWING AWAY TRANSFER ASSEMBLY (24000420)



SWING AWAY TRANSFER ASSEMBLY (24000420)

ITEM	PART NO.	DESCRIPTION
47	P1210010	Washer Nylon 3/8 USS
48	P1210033	501 SHAFT GUARD PLUG
49	P1212402	HOOD-ROUND 24 SERIES
50	P1621020	HOPPER CANVAS-24FL CONV
51	P1641015	TRIM LOCK
52	P1711005	FLANGE UNIT-1-1/4"-PREMIUM
53	P2515017	PIVOT SHAFT BRACKET
54	P2518202P	2" U-CLAMP PAINTED
55	P19249004	24" TRANSFER FLASHING LH
56	P19249005	24" TRANSFER FLASHING RH
57	P1711006	FLANGE UNIT-1-15/16"-PREMIUM
58	P0114011	BOLT TAP CARRIAGE 5/8"X3"
59	P01340101	LOCKNUT-NYLON-5/8" GRADE 8
60	24570001	2400 SA TRANSFER 45' 3"

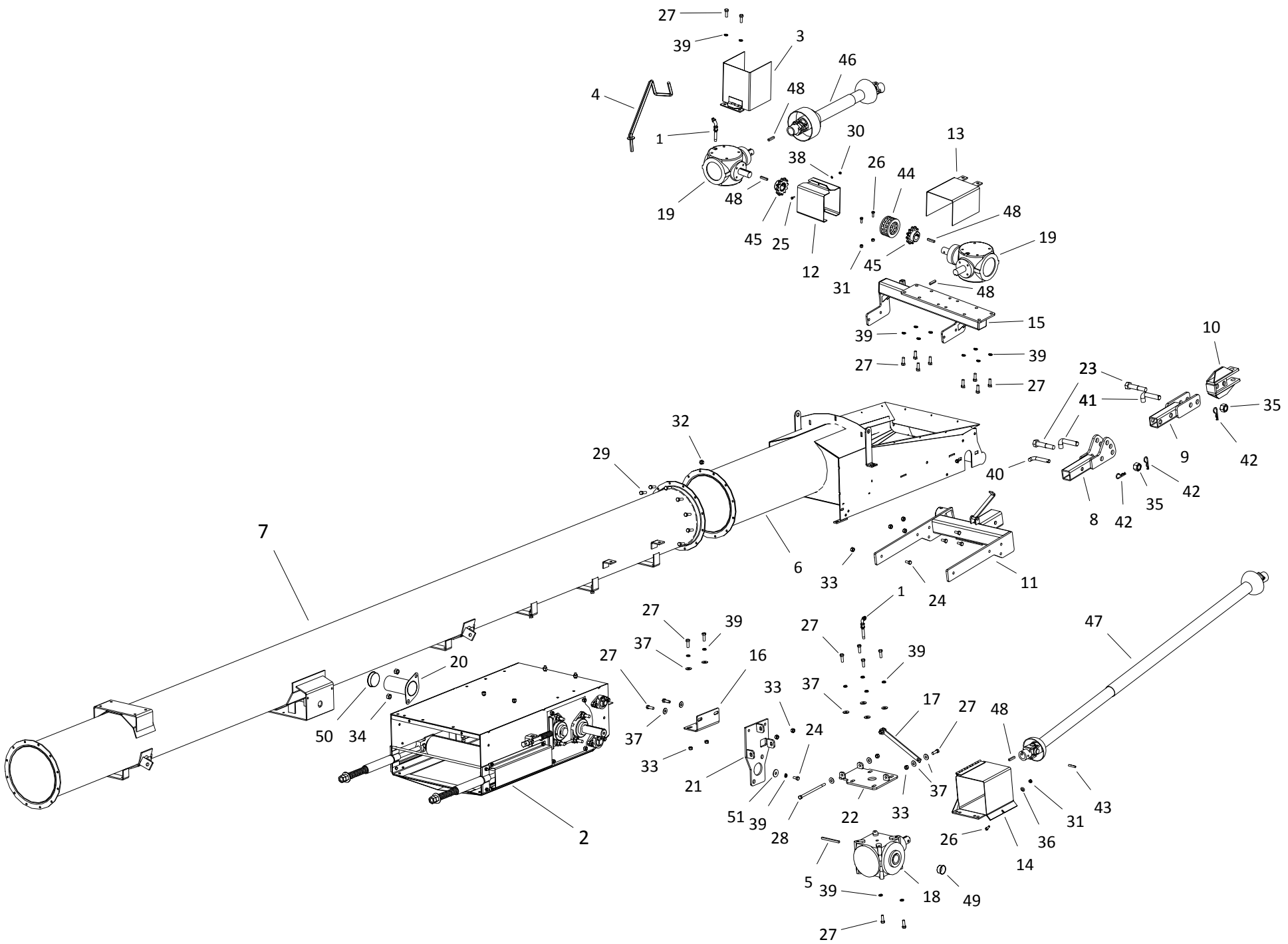
FRONT DRIVE PTO KIT 24-SERIES (24592230)



FRONT DRIVE PTO KIT 24-SERIES (24592230)

ITEM	PART NO.	DESCRIPTION
1	01010002	BREATHER -SWING AWAY
2	24590020	S-DRIVE ASM W/PINCH
3	13040011	PTO GUARD SWING
4	13090019	SWING PTO CRADLE
5	13202124	KEY 3/8" X 5.25" LONG
6	24020501	2400 Hopper
7	20020507	CENTER 20' -LOWER SUSP BRKT
8	20030004	20 SWING ADJUSTABLE TONGUE
9	20030005	20 ADJUSTABLE CLEVIS
10	20030017	CLEVIS
11	20030046	HITCH
12	20040004	SWING S-DRIVE COUPLING GUARD (HALF)
13	20040006	5190 GEARBOX GUARD
14	20040008	GUARD 6190GB FLIP-UP
15	24090067	GEARBOX MOUNT PLATFORM
16	20090071	GEARBOX MOUNT ANGLE BRKT
17	20092097	SWING 6190 GBOX SIDE MT (LINK ARM)
18	20591001	GBOX 90 1.85:1 1-15/16 6190 W/OIL
19	20591002	GBOX 90 1:1 CW/CW 1-1/2 5190 W/OIL
20	24041038	SHAFT GUARD(FL-210)
21	200900701	SWING 6190 GBOX SIDE MT (SD)
22	200900702	SWING 6190 GBOX SIDE MT (GBOX)
23	P0118008	BOLT 1" X 5" GR8 PLATED
24	P0118012	BOLT 1/2" X 1" GR8 PLATED
25	P0118033	BOLT 1/4" X 3/4" GR8 PLATED
26	P0118046	BOLT 3/8" X 1" GR8 PLATED
27	P0118013	BOLT 1/2"X1 1/2" GR.8 PLATED
28	P0118025	BOLT 1/2" X 9" GR8 PLATED
29	P0118077	BOLT 7/16"X1-1/2" GRADE 8 PLATED
30	P0134023	LOCKNUT-NYLON-1/4" GR8
31	P0134026	LOCKNUT-NYLON-3/8" GRADE 8
32	P0134007	LOCKNUT-NYLON-7/16"
33	P0134008	LOCKNUT-NYLON-1/2"
34	P01340101	LOCKNUT-NYLON-5/8" GRADE 8
35	P0134030	LOCKNUT-NYLON-1" GRADE 8
36	P0151009	FLAT WASHER 3/8"PLATED USS
37	P0151029	FLAT WASHER 1/2"PLATED USS
38	P0152004	LOCK WASHER 1/4"PLATED
39	P0152008	LOCK WASHER 1/2"PLATED
40	P0162002	Pin Hitch 3/4 x 3 1/2
41	P0162003	HITCH PIN 1" X 3-1/2" PLATED
42	P0163001	HAIR PIN 3/16" X 3-1/4"
43	P0167004	SPRING PIN 3/8"X3"
44	P0311003	CHAIN FOR DRIVE(80-2RX12+CL)
45	P0338122	SPROCKET-H80B12 X 1-1/2
46	P0381002	CV SHAFT-2000 SERIES

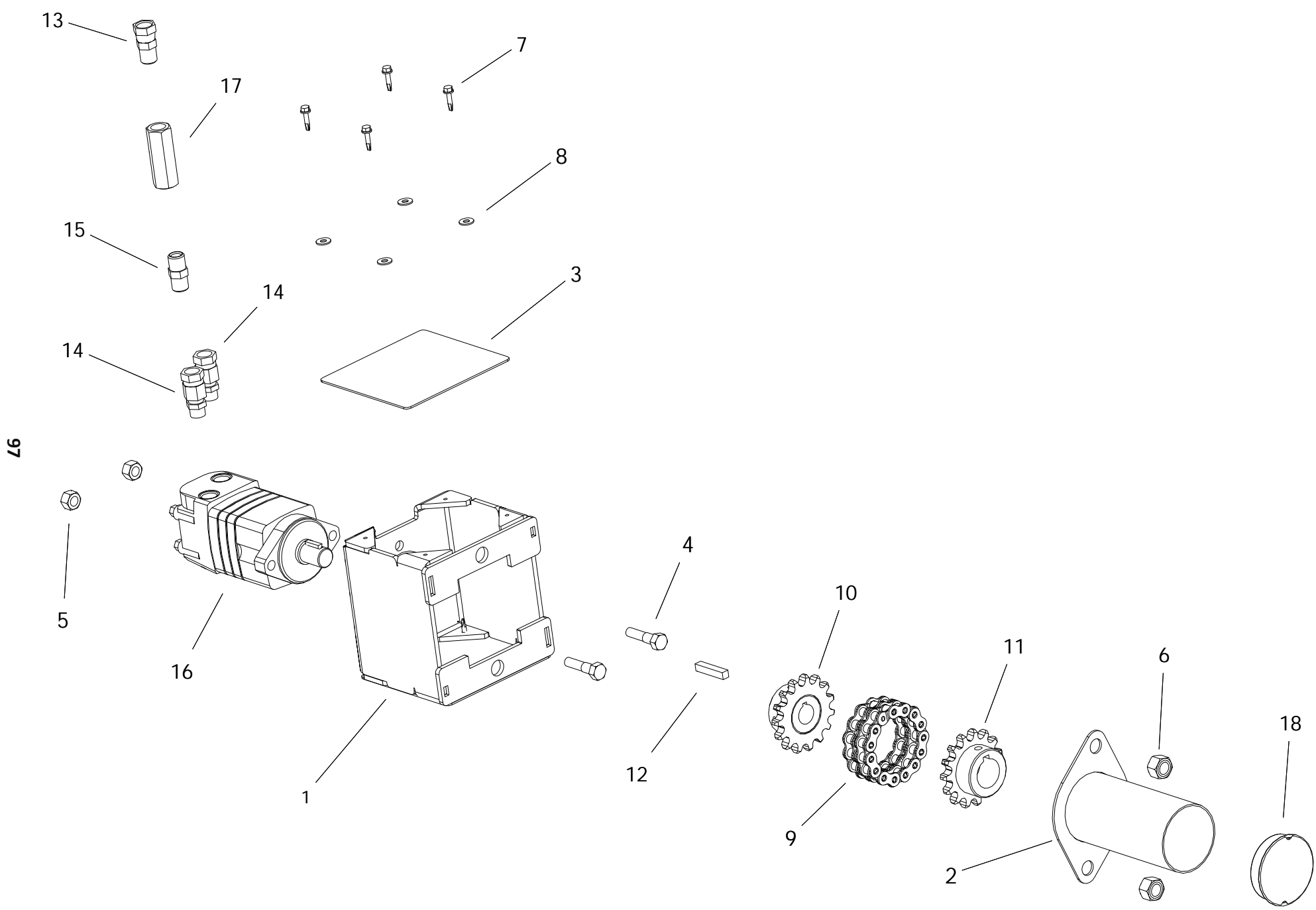
FRONT DRIVE PTO KIT 24-SERIES (24592230)



FRONT DRIVE PTO KIT 24-SERIES (24592230)

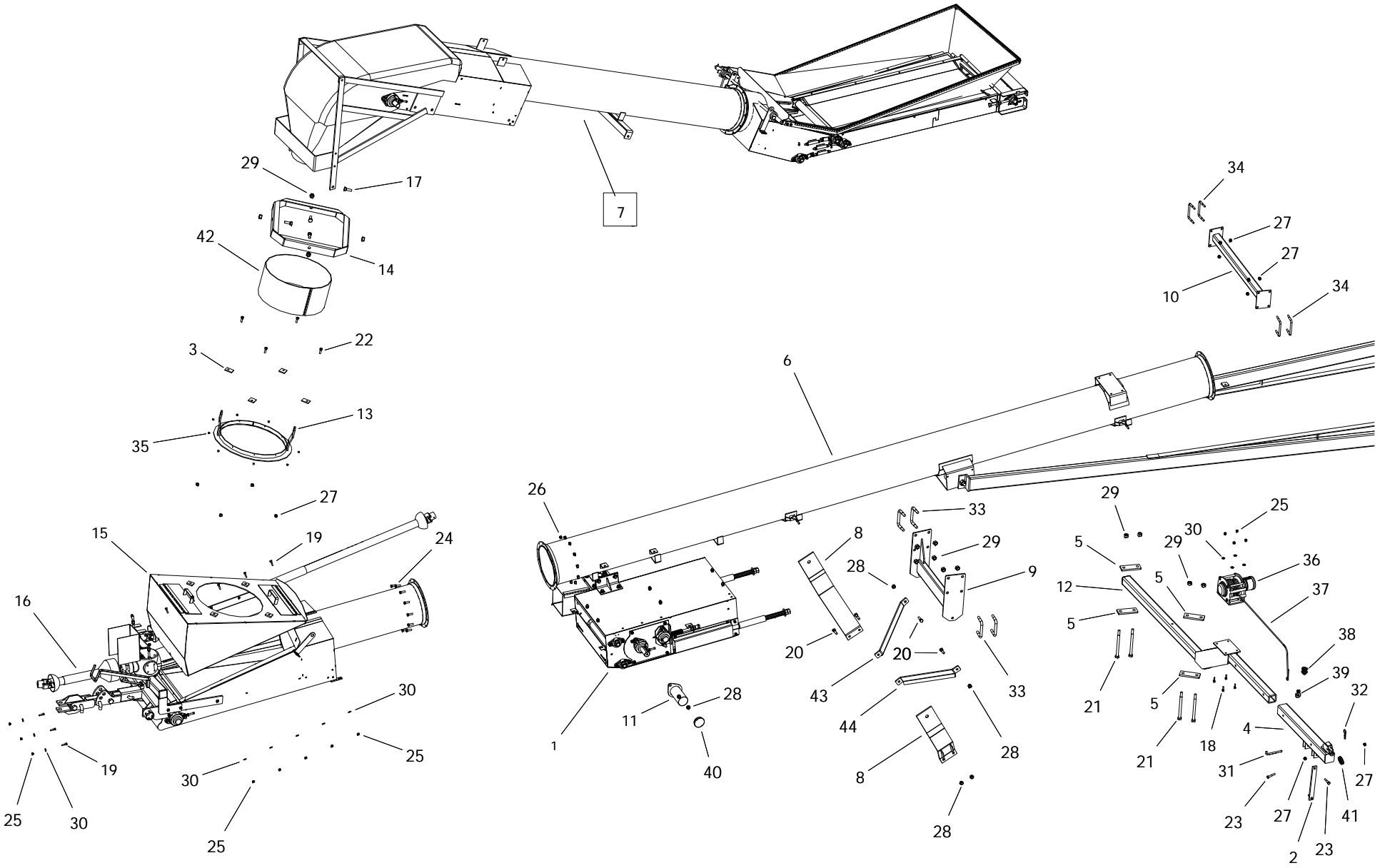
ITEM	PART NO.	DESCRIPTION
47	P0381028	PTO SHAFT-1-1/2" BOTH ENDS-105"-35
48	P0391002	KEY 3/8" X 2" LONG
49	P1210025	GEARBOX PLUG 2"
50	P1210033	501 SHAFT GUARD PLUG
51	P11240130	KEY RETAINER

HYDRAULIC DRIVE KIT (24594000)



HYDRAULIC DRIVE KIT (24594000)

ITEM	PART NO.	DESCRIPTION
1	20060003	1-15/16" HYD MOUNT 2000 SER
2	24041038	SHAFT GUARD(FL-210)
3	25041007	24" PIT HYD DRIVE GUARD
4	P0118016	BOLT 1/2" X 2" GR8 PLATED
5	P0134008	LOCKNUT-NYLON-1/2"
6	P01340101	LOCKNUT-NYLON-5/8" GRADE 8
7	P0141002	TEK SCREW 1/4"X1"
8	P0151006	FLAT WASHER 1/4"PLATED USS
9	P0311007	R/CHAIN-DRIVE(60-2RX14+CL+OL)
10	P0336154	SPROCKET-6015-1"BORE
11	P0336155	SPROCKET-6015-1-1/2"BORE
12	P0391002	KEY 3/8" X 2" LONG
13	P0821112	SWIVEL-1/2" STRAIGHT
14	P0821114	SWIVEL-10ORBX1/2"FS
15	P0821133	HEX NIPPLE-1/2"
16	P0841040	HYD MOTOR 8.0 2000S
17	P0861035	CHECK VALVE-1/2" (NO HOLE)
18	P1210033	501 SHAFT GUARD PLUG

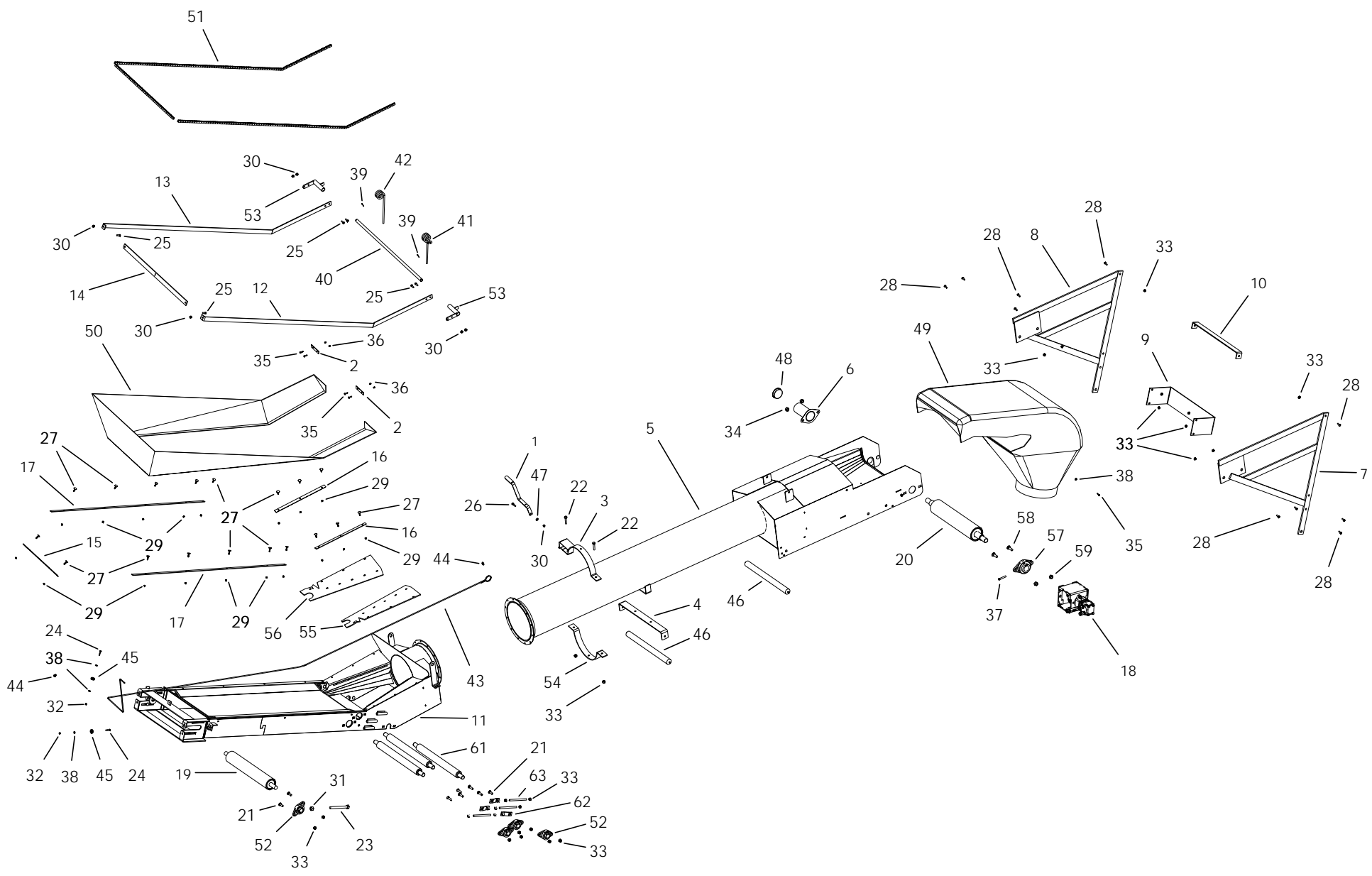


2400 SERIES-24584000 (24105 | 120)

ITEM	PART NO.	DESCRIPTION
1	24590020	S-DRIVE ASM W/PINCH
2	13090028	Swing Transfer Catch
3	13092018	MOUNTING TAB
4	15090017	TRANSPORT ADJUSTMENT ARM
5	15092039	TRANSPORT ARM MOUNT PLATE
6	20020507	CENTER 20' -LOWER SUSP BRKT
7	24000420	SWING AWAY -TRANSFER ASSEMBLY
8	24030001	FRAME STIFFENER BRKT WELD'T
9	24030002	24 FRAME STIFF CROSS BRACE 105/120
10	24030003	24 SWING FRAME CROSS BRACE
11	24041038	SHAFT GUARD(FL-210)
12	24090023	15/20/24 TRANSPORT ARM OFFSET
13	24090026	24-SWIVEL BASE
14	24090027	24-SWIVEL TOP
15	24090066	24-HOPPER BASE
16	24592230	FRONT DRIVE PTO KIT 20 SERIES
17	P0115111	BOLT 3/4" X 2" GR8 PLATED
18	P0115045	BOLT 3/8" X 1-1/4" GR5 PLATED
19	P0115113	BOLT 3/8" X 1-1/2" GR8 PLATED
20	P0118071	BOLT 5/8" X 2" GR8 PLATED
21	P0118094	BOLT 3/4" X 10" GR8 PLATED
22	P0118013	BOLT 1/2"X1 1/2" GR.8 PLATED
23	P0118017	BOLT 1/2"X2-1/2"GRADE 8 PLATED
24	P0118077	BOLT 7/16"X1-1/2" GRADE 8 PLATED
25	P0134026	LOCKNUT-NYLON-3/8" GRADE 8
26	P0134007	LOCKNUT-NYLON-7/16"
27	P0134008	LOCKNUT-NYLON-1/2"
28	P01340101	LOCKNUT-NYLON-5/8" GRADE 8
29	P0134029	LOCKNUT-NYLON-3/4" GRADE 8
30	P0151009	FLAT WASHER 3/8"PLATED USS
31	P0162004	HITCH PIN 1/2" X 5" PLATED
32	P0163001	HAIR PIN 3/16" X 3-1/4"
33	P0183005	U-BOLT 5"X2" (3/4") PTD
34	P0183017	U-BOLT 5"X2"(1/2)PTD
35	P0186001	RIVET-STEEL BODY 3/16" X 1/2"
36	P0217634B	HYDRAULIC WINCH KIT
37	P0711118	CABLE-5/16" (26')
38	P0712105	CABLE CLAMP-5/16" GALV.
39	P0712301	Grab Hook
40	P1210033	501 SHAFT GUARD PLUG
41	P2210713	CABLE SHEAVE 2-3/4"OD
42	P11209010	SWING BELT SHEILD (rev1)
43	P11240061	105/120 FRAME STIFFENER BRACE LEFT
44	P11240062	105/120 FRAME STIFFENER BRACE RIGHT
45	2000071624	2000 SA TRANSFER NEW 41' 6"

SWING AWAY TRANSFER ASSEMBLY (24000420)

101

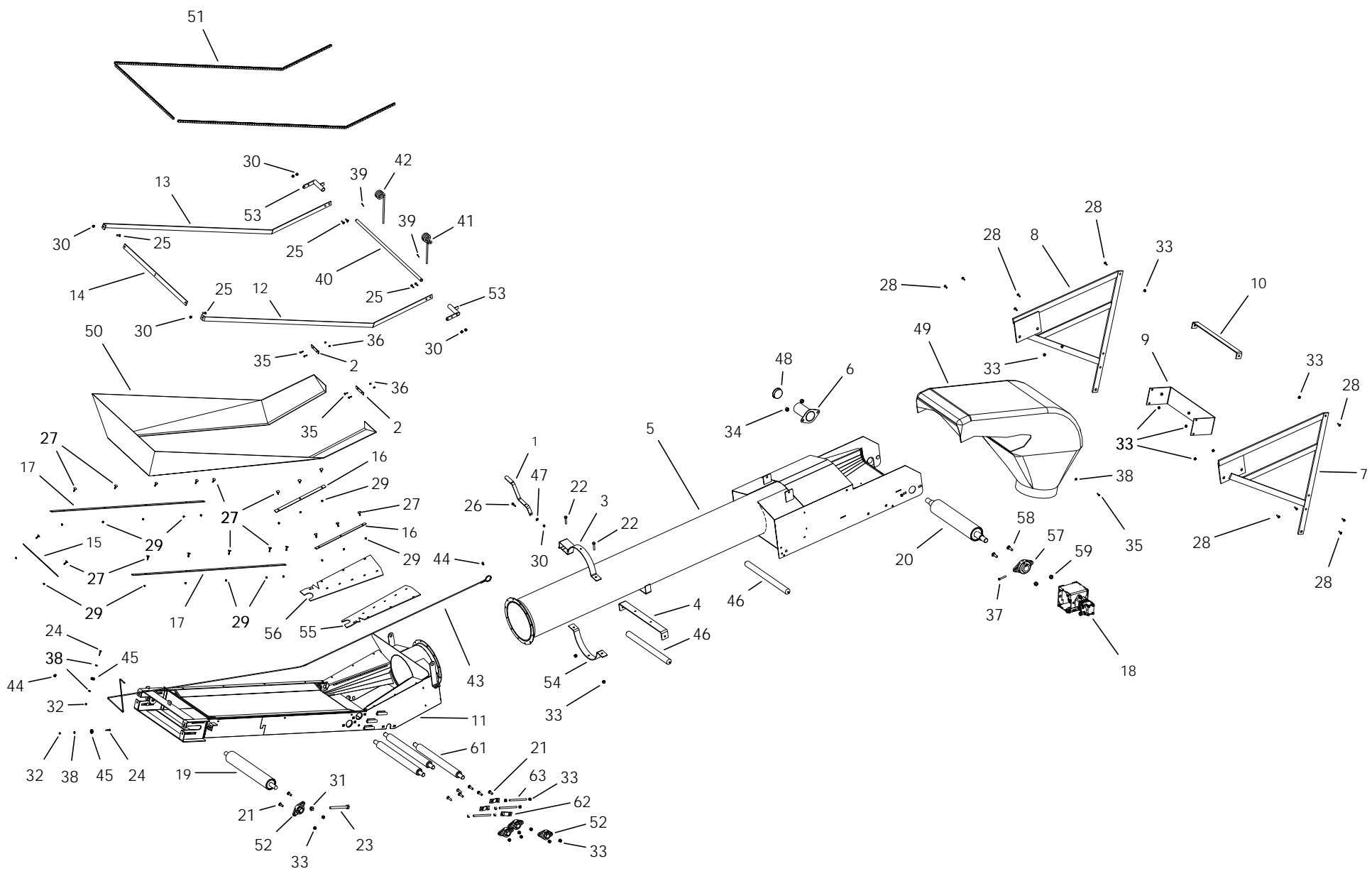


SWING AWAY TRANSFER ASSEMBLY (24000420)

ITEM	PART NO.	DESCRIPTION
	24555860	24 HOPPER -FLASHING ONLY FL
1	13100008	HOPPER HANDLE
2	15102061	LOWER CLOTH FRAME TR BACK
3	24010029	SA COLLAPS HANDLE MOUNT
4	24011001	RETURN ROLLER BRACKET
5	24020002	SPOUT SECTION 9'
6	24041038	SHAFT GUARD(FL-210)
7	24090007	24-TRANSFER SUPPORT BRACE-LH
8	24090008	24-TRANSFER SUPPORT BRACE-RH
9	24090015	LOWER LATERAL BRACE
10	24092008	TOP LATERAL BRACE
11	24100010	24 TRANSFER HOPPER
12	24100018	24 TRANSFER UPPER FRAME RIGHT
13	24100019	24 TRANSFER UPPER FRAME LEFT
14	24102035	UPPER CLOTH FRAME TR FRONT
15	24102036	LOWER CLOTH FRAME TR FRONT
16	24102037	LOWER CLOTH FRAME TR TRANSITION
17	24102038	LOWER CLOTH FRAME TR SIDE
18	24594000	HYDRAULIC KIT 24 SERIES
19	25070006	PITSTOP TAKE-UP ROLLER - 24" BELT
20	25070007	PITSTOP SPOUT ROLLER - 24" BELT
21	P0113001	CARRIAGE BOLT 1/2"X2" PLATED
22	P0114005	TAP BOLT 1/2 X 2-1/2 GR.8 PLATED
23	P0114007	TAP BOLT 3/4 X 7 PLATED
24	P0118026	BOLT 1/4" X 1-1/2" GR8 PLATED
25	P0118046	BOLT 3/8" X 1" GR8 PLATED
26	P0115113	BOLT 3/8" X 1-1/2" GR8 PLATED
27	P0116001	ELEVATOR BOLT 1/4"X1-1/4"
28	P0118013	BOLT 1/2"X1 1/2" GR.8 PLATED
29	P0131016	NUT 1/4" PLATED GRADE 8
30	P0131018	NUT 3/8" PLATED GRADE 8
31	P0131019	NUT 3/4" PLATED GRADE 8
32	P0134023	LOCKNUT-NYLON-1/4" GR8
33	P0134008	LOCKNUT-NYLON-1/2"
34	P01340101	LOCKNUT-NYLON-5/8" GRADE 8
35	P0141002	TEK SCREW 1/4"X1"
36	P0145001	VINYL SCREW CAP
37	P0145002	SET SCREW-7/16"X2-1/2"SQ.HD.
38	P0151006	FLAT WASHER 1/4"PLATED USS
39	P0161003	COTTER PIN 3/16"X1-1/2"PLATED
40	P0162008	HOPPER PIVOT SHAFT-20/24 (rev1)
41	P0521005	HOPPER SPRING-L-.437
42	P0521006	HOPPER SPRING-R-.437
43	P0711101	CABLE 1/8" 7 X 19 GAC
44	P0712104	CABLE CLAMP-1/8" GALV.
45	P0713104	CABLE SHEAVE-1-1/4" W/BEARING

SWING AWAY TRANSFER ASSEMBLY (24000420)

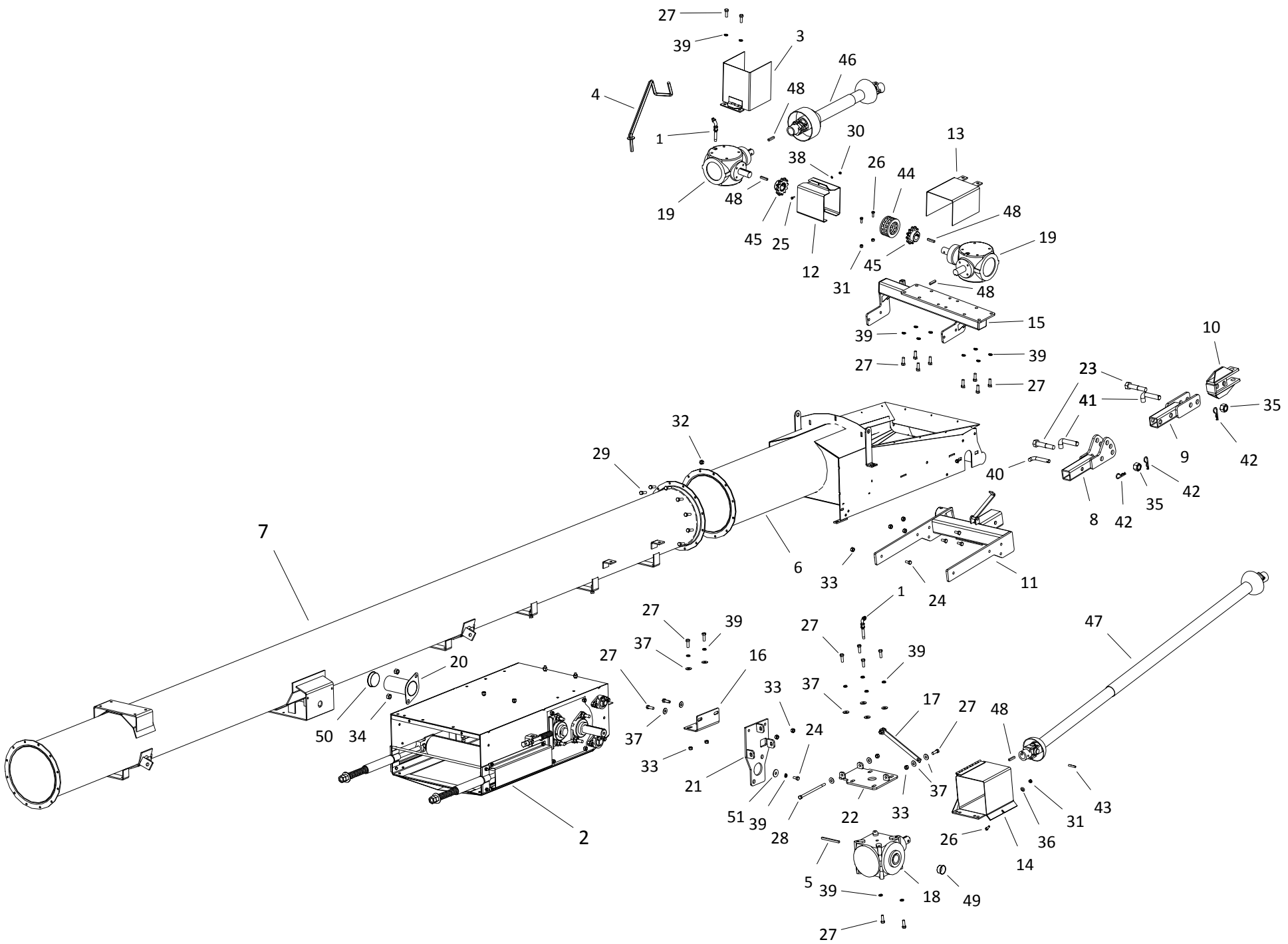
103



SWING AWAY TRANSFER ASSEMBLY (24000420)

ITEM	PART NO.	DESCRIPTION
46	P1021011	ROLLER HEX 25"
47	P1210010	Washer Nylon 3/8 USS
48	P1210033	501 SHAFT GUARD PLUG
49	P1212402	HOOD-ROUND 24 SERIES
50	P1621020	HOPPER CANVAS-24FL CONV
51	P1641015	TRIM LOCK
52	P1711006	FLANGE UNIT-1-15/16"-PREMIUM
53	P2515017	PIVOT SHAFT BRACKET
54	P2518202P	2" U-CLAMP PAINTED
55	P19249004	24" TRANSFER FLASHING LH
56	P19249005	24" TRANSFER FLASHING RH
57	P1711006	FLANGE UNIT-1-15/16"-PREMIUM
58	P0114011	BOLT TAP CARRIAGE 5/8"X3"
59	P01340101	LOCKNUT-NYLON-5/8" GRADE 8
60	24570001	2400 SA TRANSFER 45' 3"
61	P20325002	PITSTOP TRANSITION ROLLER -24" BELT
62	25050002	BEARING TIGHTENER MOUNT RIGHT
63	13102055	TAB ADJUSTER ROD-1/2" X 7"

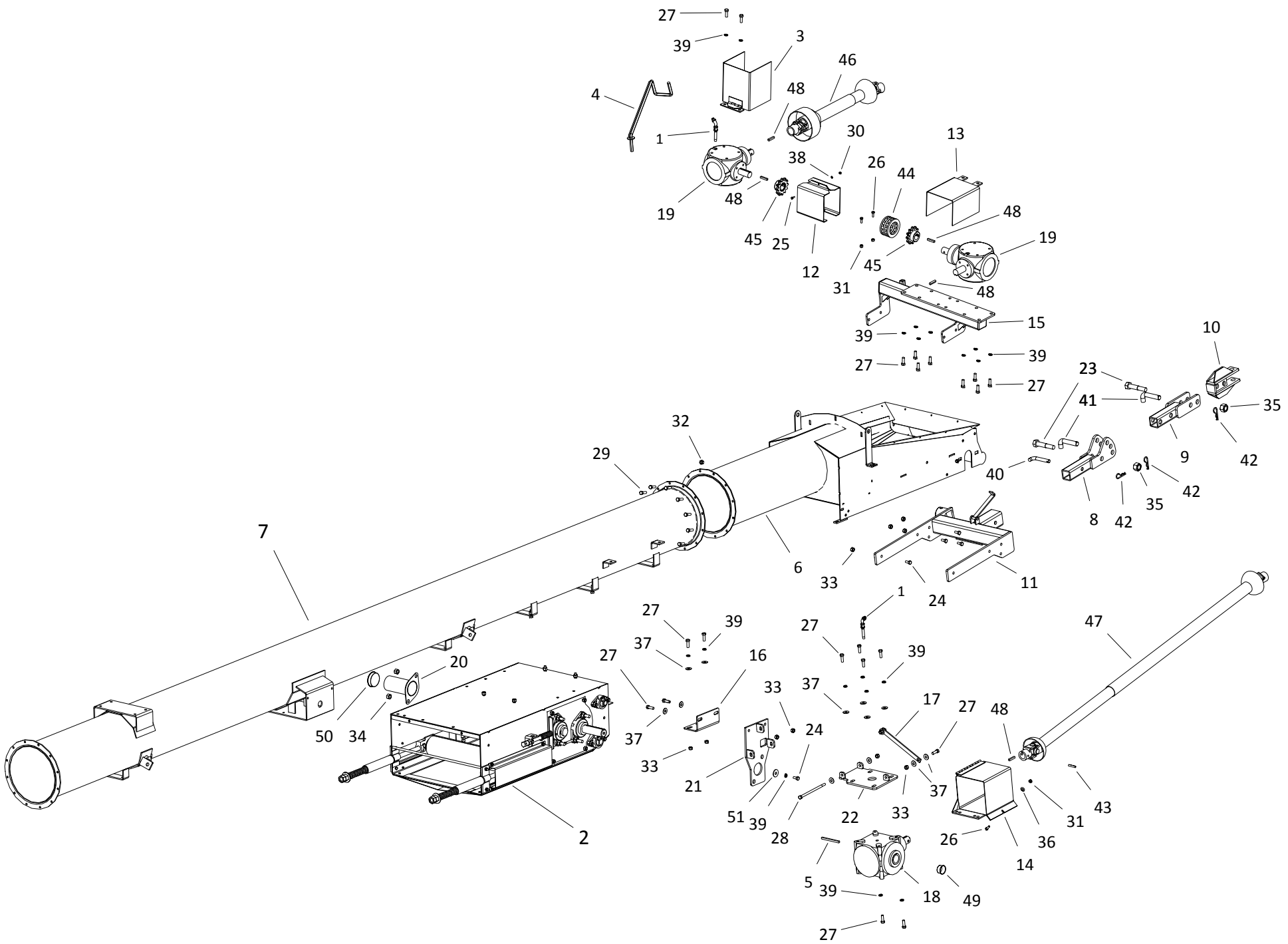
FRONT DRIVE PTO KIT 24-SERIES (24592230)



FRONT DRIVE PTO KIT 24-SERIES (24592230)

ITEM	PART NO.	DESCRIPTION
1	01010002	BREATHER -SWING AWAY
2	24590020	S-DRIVE ASM W/PINCH
3	13040011	PTO GUARD SWING
4	13090019	SWING PTO CRADLE
5	13202124	KEY 3/8" X 5.25" LONG
6	24020501	2400 Hopper
7	20020507	CENTER 20' -LOWER SUSP BRKT
8	20030004	20 SWING ADJUSTABLE TONGUE
9	20030005	20 ADJUSTABLE CLEVIS
10	20030017	CLEVIS
11	20030046	HITCH
12	20040004	SWING S-DRIVE COUPLING GUARD (HALF)
13	20040006	5190 GEARBOX GUARD
14	20040008	GUARD 6190GB FLIP-UP
15	24090067	GEARBOX MOUNT PLATFORM
16	20090071	GEARBOX MOUNT ANGLE BRKT
17	20092097	SWING 6190 GBOX SIDE MT (LINK ARM)
18	20591001	GBOX 90 1.85:1 1-15/16 6190 W/OIL
19	20591002	GBOX 90 1:1 CW/CW 1-1/2 5190 W/OIL
20	24041038	SHAFT GUARD(FL-210)
21	200900701	SWING 6190 GBOX SIDE MT (SD)
22	200900702	SWING 6190 GBOX SIDE MT (GBOX)
23	P0118008	BOLT 1" X 5" GR8 PLATED
24	P0118012	BOLT 1/2" X 1" GR8 PLATED
25	P0118033	BOLT 1/4" X 3/4" GR8 PLATED
26	P0118046	BOLT 3/8" X 1" GR8 PLATED
27	P0118013	BOLT 1/2"X1 1/2" GR.8 PLATED
28	P0118025	BOLT 1/2" X 9" GR8 PLATED
29	P0118077	BOLT 7/16"X1-1/2" GRADE 8 PLATED
30	P0134023	LOCKNUT-NYLON-1/4" GR8
31	P0134026	LOCKNUT-NYLON-3/8" GRADE 8
32	P0134007	LOCKNUT-NYLON-7/16"
33	P0134008	LOCKNUT-NYLON-1/2"
34	P01340101	LOCKNUT-NYLON-5/8" GRADE 8
35	P0134030	LOCKNUT-NYLON-1" GRADE 8
36	P0151009	FLAT WASHER 3/8"PLATED USS
37	P0151029	FLAT WASHER 1/2"PLATED USS
38	P0152004	LOCK WASHER 1/4"PLATED
39	P0152008	LOCK WASHER 1/2"PLATED
40	P0162002	Pin Hitch 3/4 x 3 1/2
41	P0162003	HITCH PIN 1" X 3-1/2" PLATED
42	P0163001	HAIR PIN 3/16" X 3-1/4"
43	P0167004	SPRING PIN 3/8"X3"
44	P0311003	CHAIN FOR DRIVE(80-2RX12+CL)
45	P0338122	SPROCKET-H80B12 X 1-1/2
46	P0381002	CV SHAFT-2000 SERIES

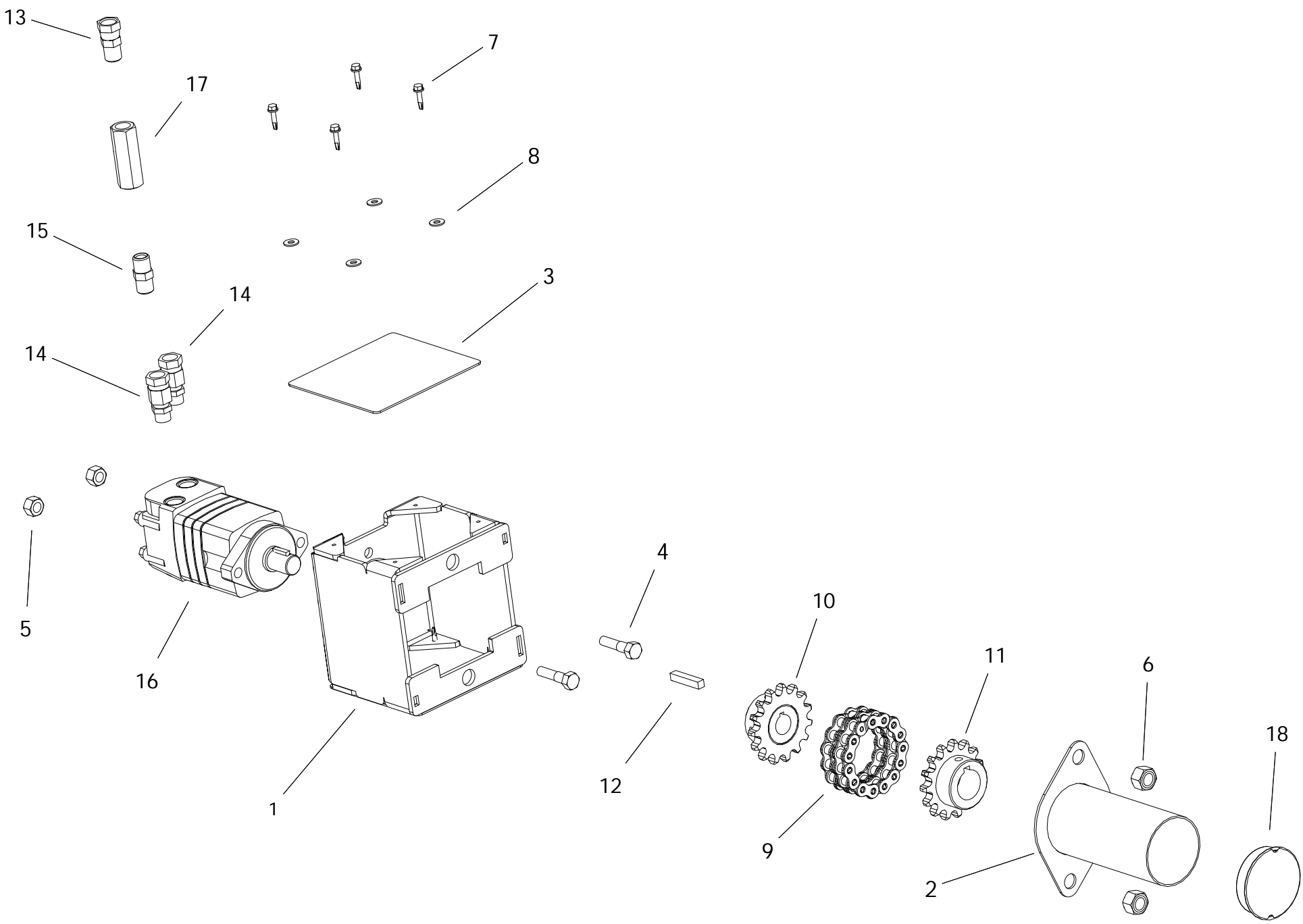
FRONT DRIVE PTO KIT 24-SERIES (24592230)



FRONT DRIVE PTO KIT 24-SERIES (24592230)

ITEM	PART NO.	DESCRIPTION
47	P0381028	PTO SHAFT-1-1/2" BOTH ENDS-105"-35
48	P0391002	KEY 3/8" X 2" LONG
49	P1210025	GEARBOX PLUG 2"
50	P1210033	501 SHAFT GUARD PLUG
51	P11240130	KEY RETAINER

HYDRAULIC DRIVE KIT (24594000)



HYDRAULIC DRIVE KIT (24594000)

ITEM	PART NO.	DESCRIPTION
1	20060003	1-15/16" HYD MOUNT 2000 SER
2	24041038	SHAFT GUARD(FL-210)
3	25041007	24" PIT HYD DRIVE GUARD
4	P0118016	BOLT 1/2" X 2" GR8 PLATED
5	P0134008	LOCKNUT-NYLON-1/2"
6	P01340101	LOCKNUT-NYLON-5/8" GRADE 8
7	P0141002	TEK SCREW 1/4"X1"
8	P0151006	FLAT WASHER 1/4"PLATED USS
9	P0311007	R/CHAIN-DRIVE(60-2RX14+CL+OL)
10	P0336154	SPROCKET-6015-1"BORE
11	P0336155	SPROCKET-6015-1-1/2"BORE
12	P0391002	KEY 3/8" X 2" LONG
13	P0821112	SWIVEL-1/2" STRAIGHT
14	P0821114	SWIVEL-10ORBx1/2"FS
15	P0821133	HEX NIPPLE-1/2"
16	P0841040	HYD MOTOR 8.0 2000S
17	P0861035	CHECK VALVE-1/2" (NO HOLE)
18	P1210033	501 SHAFT GUARD PLUG



Shipping: 201 Industrial Drive, Swift Current, Saskatchewan S9H 5R4, CANADA

Mailing: Box 1750, Swift Current, Saskatchewan S9H 4J8, CANADA

Toll-Free: (877) 667-7421 (Canada & USA)

Phone: (306) 773-7779

Fax: (306) 778-2524

Email: info@batcomfg.com

Web: www.batcomfg.com

Batco is part of the Ag Growth International group

© Ag Growth International 2019

Printed in Canada